



**U.S. TOYO
FAN CORP.**

USTF8038 Series AC / Ball Bearing Fans

4941 Walnut Grove Ave., San Gabriel, CA 91776
(626) 287-5297
E-mail: sales@ustoyofan.com

FAX (626) 287-5328
www.ustoyofan.com

USTF8038 Series

Size: 3.15 in sq. x 1.5 in. thk
(80mm sq. x 38mm thk.)

Airflow: 34 CFM

Acoustical Noise: 38 dB (A)

MATERIAL: Frame - Aluminum Alloy, Painted Black Finish
Bearings - Sealed Ball
Impeller - UL94V-0 Plastic

WEIGHT: 9.5 oz. (270g)

TERMINATION: Terminals standard (Lead Wires on request)

OPERATION TEMPERATURE: -10° to +70° C

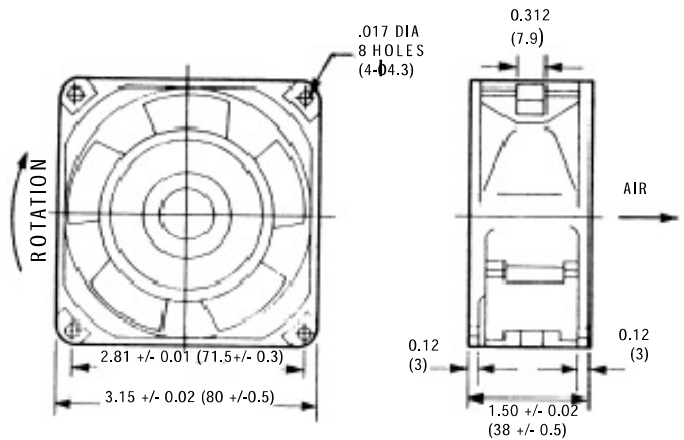
INSULATION RESISTANCE: 100,000 Ohms min @ 500 VDC

DIELECTRIC STRENGTH: 500 VAC for 1 min.

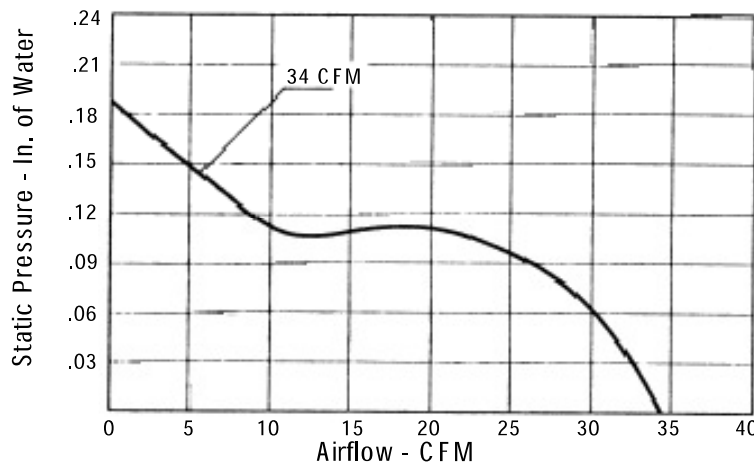
INSULATION: Class A

SAFETY: Impedance Protected

SAFETY APPROVALS: UL, CSA, & CE



PERFORMANCE CURVES: (Obtained with test chamber and methods in accordance with AMCA Std. 210-74)



SPECIFICATIONS: (Based on 60 Hz Frequency)

PART NUMBER	VOLTS	WATTS	mAMPS	RPM	NOISE dB (A) @ 1M	CFM
USTF80381153T	115	6.9	100	3300	38	34
USTF80382303T	230	6.6	58	3300	38	34

NOTE: Standard models with Terminals. Lead Wires available on request.