



**U.S. TOYO
FAN CORP.**

4941 Walnut Grove Ave., San Gabriel, CA 91776
(626) 287-5297
E-mail: sales@ustoyofan.com

USTF12025 Series AC / Ball Bearing Fans

FAX (626) 287-5328
www.ustoyofan.com

USTF12025 Series

Size: 4.69 in sq. x 1.0 in. thk
(119mm sq. x 25mm thk.)

Airflow: 54 - 77 CFM

Acoustical Noise: 30 - 38 dB (A)

MATERIAL: Frame - Aluminum Alloy, Painted Black Finish
Bearings - Sealed Ball
Impeller - UL94V-0 Plastic

WEIGHT: 13 oz. (360g)

TERMINATION: Terminals

OPERATION TEMPERATURE: -10° to +70°C

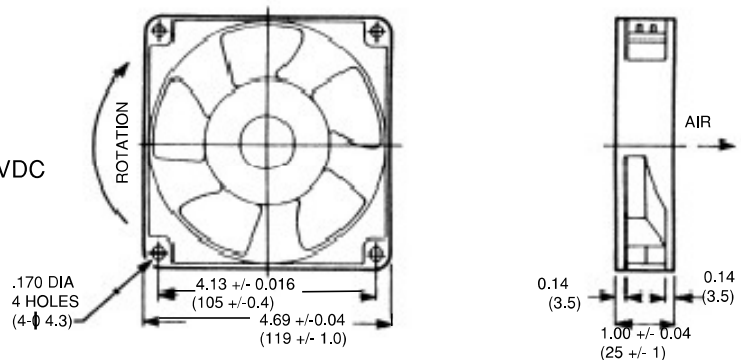
INSULATION RESISTANCE: 100,000 Ohms min @ 500 VDC

DIELECTRIC STRENGTH: 500 VAC for 1 min.

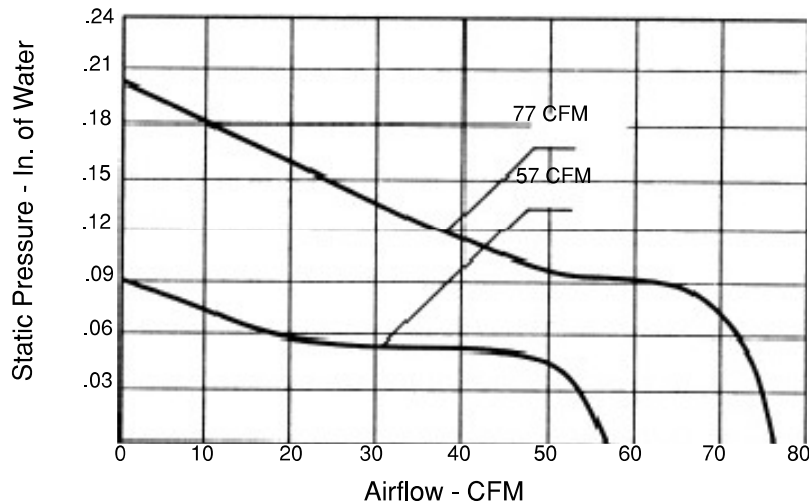
INSULATION: Class A

SAFETY: Impedance Protected

SAFETY APPROVALS: UL, CSA, & CE



PERFORMANCE CURVES: (Obtained with test chamber and methods in accordance with AMCA Std. 210-74)



SPECIFICATIONS: (Based on 60 Hz Frequency)

| PART NUMBER | VOLTS | WATTS | mAMPS | RPM | NOISE dB (A) @ 1M | CFM |
|----------------|-------|-------|-------|------|-------------------|-----|
| USTF120251153T | 115 | 11.0 | 136 | 3100 | 38 | 77 |
| USTF120251152T | 115 | 8.0 | 90 | 2300 | 30 | 57 |
| USTF120252303T | 230 | 10.0 | 68 | 2900 | 38 | 75 |
| USTF120252302T | 230 | 7.0 | 34 | 2200 | 30 | 56 |

NOTE: Standard models with Terminals. Lead Wires available on request.



Request Info
⚙️ 🛒 🕒

1-800-453-1692

www.aboveboardelectronics.com