



**TAC8025 Series**

**Size:** 3.15 in sq. x 1.0 in. thk  
(80mm sq. x 25mm thk.)

**Airflow:** 18 - 23 CFM

**Acoustical Noise:** 29 - 33 dB (A)

**MATERIAL:** Frame - Aluminum Alloy, Painted Black Finish  
Bearings - Sealed Ball  
Impeller - UL94V-0 Plastic

**WEIGHT:** 8.1 oz. (230g)

**TERMINATION:** Lead wires (Terminals not available)

**OPERATION TEMPERATURE:** -20° to +80° C

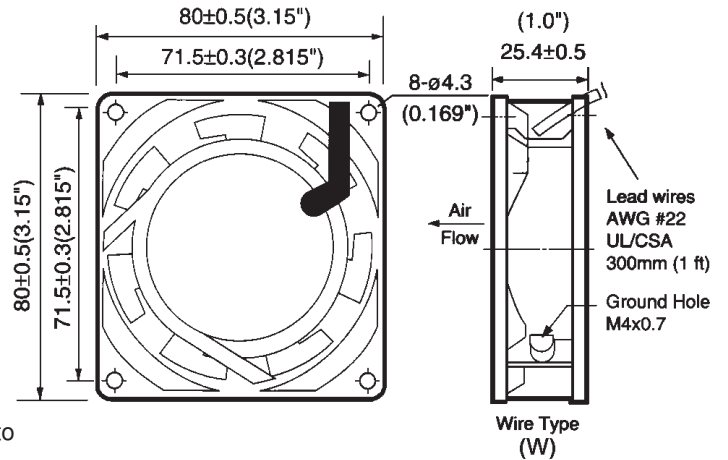
**INSULATION RESISTANCE:** 10 Megohms min @ 500 VDC

**DIELECTRIC STRENGTH:** 1,500 VAC for 1 min.

**INSULATION:** Class B

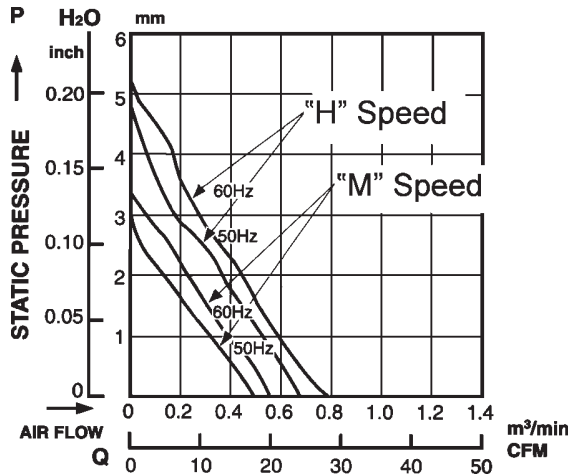
**SAFETY:** Impedance Protected

**SAFETY APPROVALS:** UL 106227 & CSA LR702499 (Applies to single voltage models only)  
CE (Applies to 230V models only)

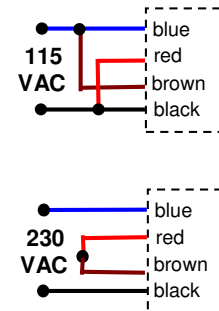


**PERFORMANCE CURVES:**

(Obtained with test chamber and methods in accordance with AMCA Std. 210-74)



**DUAL VOLTAGE MODEL  
WIRING SCHEMATIC**



**SPECIFICATIONS:** (Based on 60 Hz Frequency)

PART NUMBER	VOLTS	WATTS	mAMPS	RPM	NOISE dB (A) @ 1M	CFM
TAC8025115HW	115	14.0	170	2800	33	23
TAC802511MW	115	10.0	100	2500	29	18
TAC8025230HW	230	14.0	100	2800	33	23
TAC8025230MW	230	10.0	80	2500	29	18
TAC8025345HW	115 / 230	14.0	170 / 100	2800	33	23

NOTE: Standard models with wire leads. (Terminals not available)