

# Level-It™ Leveling Mounts

Manufactured in a variety of configurations, materials and finishes, Level-It™ mounts are suitable for thousands of light, medium, and heavy-duty applications. They are available in stud or tapped versions with steel, stainless steel or FDA-friendly Delrin® bases. Our standard mounts swivel 15° in all directions to give users optimum performance on uneven surfaces. One-piece studs are threaded from solid hex stock for maximum strength and durability.

For applications requiring a non-swivel base, the C-series mounts have the same configurations as our standard Level-It™ but are non-swivel.



Also available is S&W's exclusive SocketLock™ technology that locks the stud into the socket of the base to prevent pullout under extreme conditions.

## Specifications:

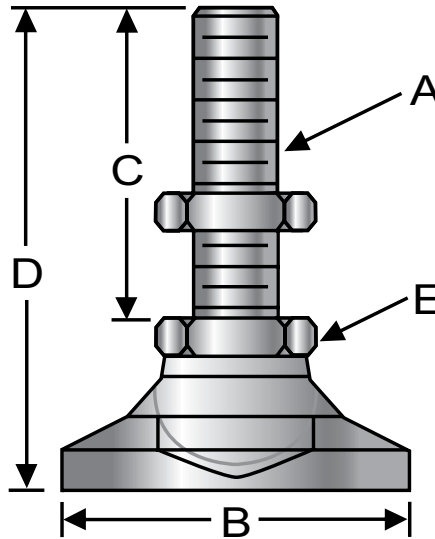
- Low carbon steel with yellow zinc plating or 303 stainless steel
- One-piece machined stud
- Inch and metric sizes
- Mounts with studs furnished with jam nut
- Customize any base or stud

## Standard Options:

- Clear zinc, nickel plating or black oxide finish
- Non-skid elastomer pad
- Delrin® base
- Lag hole
- SocketLock™

# Level-It™

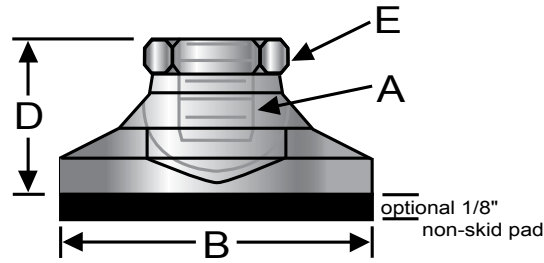
Our most popular leveler, Level-It™ has a steel or Delrin® base and a machined one-piece steel stud. The steel base and stud are available in steel with gold or clear zinc plating, black oxide, nickel, or in stainless steel.



## Level-It™ Stud Style, Inch

Steel P/N	303 Stainless P/N	316 Stainless P/N	Thread (A)	Base Dia (B)	Thread Length (C)	Total Height (D)	Hex Size (E)	Max Load (lbs)	Ship Wt. (lbs)
BSW-00	SSW-00	SSW-00-316	10-32	3/4	1	1 1/2	3/8	700	0.04
BSW-00A	SSW-00A	SSW-00A-316	10-32	3/4	2	2 1/2	3/8	700	0.04
BSW-0	SSW-0	SSW-0-316	1/4-20	1	1 1/4	1 15/16	1/2	1000	0.10
BSW-0A	SSW-0A	SSW-0A-316	1/4-20	1	2 1/2	3 3/16	1/2	1000	0.12
BSW-0B	SSW-0B	SSW-0B-316	1/4-28	1	1 1/4	1 15/16	1/2	775	0.12
BSW-100	SSW-100	SSW-100-316	5/16-18	1 1/4	2	2 7/8	5/8	2500	0.22
BSW-100A	SSW-100A	SSW-100A-316	5/16-18	1 1/4	4	4 7/8	5/8	2500	0.26
BSW-1	SSW-1	SSW-1-316	3/8-16	1 1/4	2	2 7/8	5/8	3750	0.22
BSW-1A	SSW-1A	SSW-1A-316	3/8-16	1 1/4	4	4 7/8	5/8	3750	0.26
BSW-1B	SSW-1B	SSW-1B-316	3/8-24	1 1/4	2	2 7/8	5/8	3300	0.20
BSW-2	SSW-2	SSW-2-316	1/2-13	1 7/8	2	3 1/8	3/4	5000	0.48
BSW-2A	SSW-2A	SSW-2A-316	1/2-13	1 7/8	4	5 1/8	3/4	5000	0.58
BSW-2B	SSW-2B	SSW-2B-316	1/2-20	1 7/8	2	3 1/8	3/4	4000	0.50
BSW-3	SSW-3	SSW-3-316	5/8-11	2 1/2	2	3 1/4	7/8	6000	1.06
BSW-3A	SSW-3A	SSW-3A-316	5/8-11	2 1/2	4	5 1/4	7/8	6000	1.12
BSW-3B	SSW-3B	SSW-3B-316	5/8-18	2 1/2	2	3 1/4	7/8	5000	1.06
BSW-4	SSW-4	SSW-4-316	3/4-10	3	2	3 1/2	1 1/16	7400	1.70
BSW-4A	SSW-4A	SSW-4A-316	3/4-10	3	4	5 1/2	1 1/16	7400	1.90
BSW-4B	SSW-4B	SSW-4B-316	3/4-16	3	2	3 1/2	1 1/16	6200	1.14
BSW-5	SSW-5	SSW-5-316	1-8	4	3 1/2	5 3/8	1 3/8	20000	3.54
BSW-5EL	SSW-5EL	SSW-5EL-316	1-8	4	4 1/4	6 1/8	1 3/8	20000	3.70
BSW-5A	SSW-5A	SSW-5A-316	1-8	4	6	7 7/8	1 3/8	20000	4.04
BSW-5G	SSW-5G	SSW-5G-316	1-8	4	8	9 7/8	1 3/8	20000	4.54
BSW-5B	SSW-5B	SSW-5B-316	1-12	4	3 1/2	5 3/8	1 3/8	18000	3.50
BSW-5C	SSW-5C	SSW-5C-316	7/8-9	4	4	5 7/8	1 3/8	15000	3.32
BSW-5D	SSW-5D	SSW-5D-316	7/8-14	4	4	5 7/8	1 3/8	13500	3.40
BSW-6	SSW-6	SSW-6-316	1 1/4-7	6	4	6 3/4	1 7/8	43000	10.40
BSW-6EL	SSW-6EL	SSW-6EL-316	1 1/4-7	6	6	8 3/4	1 7/8	43000	10.91

# Level-It™

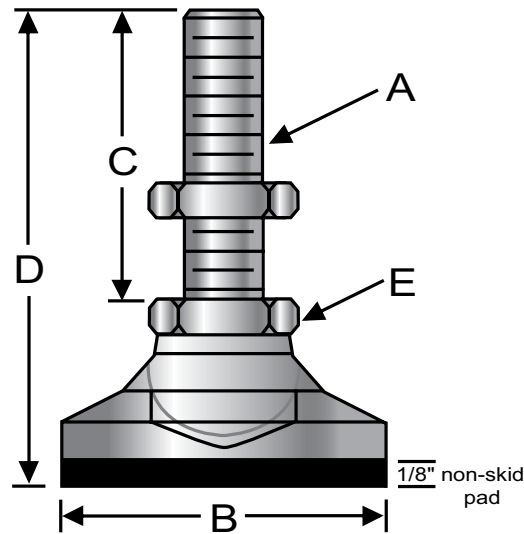


## Level-It™ Tapped Style, Inch

Steel P/N	303 Stainless P/N	316 Stainless P/N	Thread (A)	Base Dia (B)	Total Height (D)	Hex Size (E)	Max Load (lbs)	Ship Wt. (lbs)
TSW-00	STS-00	STS-00-316	10-32	3/4	1/2	3/8	700	0.02
TSW-0	STS-0	STS-0-316	1/4-20	1	11/16	1/2	1000	0.08
TSW-0A	STS-0A	STS-0A-316	1/4-28	1	11/16	1/2	775	0.08
TSW-100	STS-100	STS-100-316	5/16-18	1 1/4	7/8	5/8	2500	0.12
TSW-101	STS-101	STS-101-316	5/16-24	1 1/4	7/8	5/8	2150	0.12
TSW-1	STS-1	STS-1-316	3/8-16	1 1/4	7/8	5/8	3750	0.14
TSW-1A	STS-1A	STS-1A-316	3/8-24	1 1/4	7/8	5/8	3300	0.14
TSW-2	STS-2	STS-2-316	1/2-13	1 7/8	1 1/8	3/4	5000	0.34
TSW-2A	STS-2A	STS-2A-316	1/2-20	1 7/8	1 1/8	3/4	4000	0.34
TSW-3	STS-3	STS-3-316	5/8-11	2 1/2	1 1/4	7/8	6000	0.78
TSW-3A	STS-3A	STS-3A-316	5/8-18	2 1/2	1 1/4	7/8	5000	0.78
TSW-4	STS-4	STS-4-316	3/4-10	3	1 1/2	1 1/16	7400	1.30
TSW-4A	STS-4A	STS-4A-316	3/4-16	3	1 1/2	1 1/16	6200	1.30
TSW-5	STS-5	STS-5-316	1-8	4	1 7/8	1 3/8	20000	2.48
TSW-5A	STS-5A	STS-5A-316	7/8-14	4	1 7/8	1 3/8	13500	2.42
TSW-5B	STS-5B	STS-5B-316	7/8-9	4	1 7/8	1 3/8	15000	2.42
TSW-5C	STS-5C	STS-5C-316	1-12	4	1 7/8	1 3/8	18000	2.48
TSW-6	STS-6	STS-6-316	1 1/4-7	6	2 3/4	1 7/8	43000	5.38

## Level-It™ Tapped Style, Non-skid, Inch

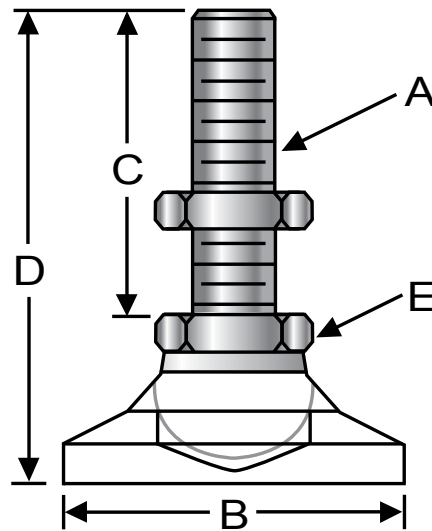
Steel P/N	303 Stainless P/N	316 Stainless P/N	Thread (A)	Base Dia (B)	Total Height (D)	Hex Size (E)	Max Load (lbs)	Ship Wt. (lbs)
NTS-00	NSTS-00	NSTS-00-316	10-32	3/4	5/8	3/8	525	0.02
NTS-0	NSTS-0	NSTS-0-316	1/4-20	1	13/16	1/2	750	0.08
NTS-0A	NSTS-0A	NSTS-0A-316	1/4-28	1	13/16	1/2	580	0.08
NTS-100	NSTS-100	NSTS-100-316	5/16-18	1 1/4	1	5/8	1875	0.12
NTS-101	NSTS-101	NSTS-101-316	5/16-24	1 1/4	1	5/8	1600	0.12
NTS-1	NSTS-1	NSTS-1-316	3/8-16	1 1/4	1	5/8	2800	0.14
NTS-1A	NSTS-1A	NSTS-1A-316	3/8-24	1 1/4	1	5/8	2475	0.14
NTS-2	NSTS-2	NSTS-2-316	1/2-13	1 7/8	1 1/4	3/4	3750	0.35
NTS-2A	NSTS-2A	NSTS-2A-316	1/2-20	1 7/8	1 1/4	3/4	3000	0.35
NTS-3	NSTS-3	NSTS-3-316	5/8-11	2 1/2	1 3/8	7/8	4500	0.80
NTS-3A	NSTS-3A	NSTS-3A-316	5/8-18	2 1/2	1 3/8	7/8	3750	0.80
NTS-4	NSTS-4	NSTS-4-316	3/4-10	3	1 5/8	1 1/16	5550	1.34
NTS-4A	NSTS-4A	NSTS-4A-316	3/4-16	3	1 5/8	1 1/16	4650	1.34
NTS-5	NSTS-5	NSTS-5-316	1-8	4	2	1 3/8	15000	2.58
NTS-5A	NSTS-5A	NSTS-5A-316	7/8-14	4	2	1 3/8	10125	2.52
NTS-5B	NSTS-5B	NSTS-5B-316	7/8-9	4	2	1 3/8	11250	2.52
NTS-5C	NSTS-5C	NSTS-5C-316	1-12	4	2	1 3/8	13500	2.58
NTS-6	NSTS-6	NSTS-6-316	1 1/4-7	6	2 7/8	1 7/8	32250	5.59



## Level-It™ Stud Style, Non-skid, Inch

Steel P/N	303 Stainless P/N	316 Stainless P/N	Thread (A)	Base Dia (B)	Thread Length (C)	Total Height (D)	Hex Size (E)	Max Load (lbs)	Ship Wt. (lbs)
NSW-00	NSSW-00	NSSW-00-316	10-32	3/4	1	1 5/8	3/8	525	0.04
NSW-00A	NSSW-00A	NSSW-00A-316	10-32	3/4	2	2 5/8	3/8	525	0.04
NSW-0	NSSW-0	NSSW-0-316	1/4-20	1	1 1/4	2 1/16	1/2	750	0.10
NSW-0A	NSSW-0A	NSSW-0A-316	1/4-20	1	2 1/2	3 5/16	1/2	750	0.12
NSW-0B	NSSW-0B	NSSW-0B-316	1/4-28	1	1 1/4	2 1/16	1/2	580	0.12
NSW-100	NSSW-100	NSSW-100-316	5/16-18	1 1/4	2	3	5/8	1875	0.10
NSW-100A	NSSW-100A	NSSW-100A-316	5/16-18	1 1/4	4	5	5/8	1875	0.12
NSW-1	NSSW-1	NSSW-1-316	3/8-16	1 1/4	2	3	5/8	2800	0.22
NSW-1A	NSSW-1A	NSSW-1A-316	3/8-16	1 1/4	4	5	5/8	2800	0.26
NSW-1B	NSSW-1B	NSSW-1B-316	3/8-24	1 1/4	2	3	5/8	2475	0.20
NSW-2	NSSW-2	NSSW-2-316	1/2-13	1 7/8	2	3 1/4	3/4	3750	0.49
NSW-2A	NSSW-2A	NSSW-2A-316	1/2-13	1 7/8	4	5 1/4	3/4	3750	0.59
NSW-2B	NSSW-2B	NSSW-2B-316	1/2-20	1 7/8	2	3 1/4	3/4	3000	0.51
NSW-3	NSSW-3	NSSW-3-316	5/8-11	2 1/2	2	3 3/8	7/8	4500	1.08
NSW-3A	NSSW-3A	NSSW-3A-316	5/8-11	2 1/2	4	5 3/8	7/8	4500	1.14
NSW-3B	NSSW-3B	NSSW-3B-316	5/8-18	2 1/2	2	3 3/8	7/8	3750	1.08
NSW-4	NSSW-4	NSSW-4-316	3/4-10	3	2	3 5/8	1 1/16	5550	1.74
NSW-4A	NSSW-4A	NSSW-4A-316	3/4-10	3	4	5 5/8	1 1/16	5550	1.94
NSW-4B	NSSW-4B	NSSW-4B-316	3/4-16	3	2	3 5/8	1 1/16	4650	1.18
NSW-5	NSSW-5	NSSW-5-316	1-8	4	3 1/2	5 1/2	1 3/8	15000	3.64
NSW-5EL	NSSW-5EL	NSSW-5EL-316	1-8	4	4 1/4	6 1/4	1 3/8	15000	3.80
NSW-5A	NSSW-5A	NSSW-5A-316	1-8	4	6	8	1 3/8	15000	4.14
NSW-5G	NSSW-5G	NSSW-5G-316	1-8	4	8	10	1 3/8	15000	4.55
NSW-5B	NSSW-5B	NSSW-5B-316	1-12	4	3 1/2	5 1/2	1 3/8	13500	3.60
NSW-5C	NSSW-5C	NSSW-5C-316	7/8-9	4	4	6	1 3/8	11250	3.42
NSW-5D	NSSW-5D	NSSW-5D-316	7/8-14	4	4	6	1 3/8	10125	3.50
NSW-6	NSSW-6	NSSW-6-316	1 1/4-7	6	4	6 7/8	1 7/8	32250	10.61
NSW-6EL	NSSW-6EL	NSSW-6EL-316	1 1/4-7	6	6	8 7/8	1 7/8	32250	11.12

# Level-It™



## Delrin® Stud Style, Inch

Steel P/N	303 Stainless P/N	316 Stainless P/N	Thread (A)	Base Dia (B)	Thread Length (C)	Total Height (D)	Hex Size (E)	Max Load (lbs)	Ship Wt. (lbs)
SWD-00	SSWD-00	SSWD-00-316	10-32	3/4	1	1 1/2	3/8	150	0.02
SWD-00A	SSWD-00A	SSWD-00A-316	10-32	3/4	2	2 1/2	3/8	150	0.02
SWD-0	SSWD-0	SSWD-0-316	1/4-20	1	1 1/4	1 15/16	1/2	200	0.06
SWD-0A	SSWD-0A	SSWD-0A-316	1/4-20	1	2 1/2	3 3/16	1/2	200	0.08
SWD-0B	SSWD-0B	SSWD-0B-316	1/4-28	1	1 1/4	1 15/16	1/2	200	0.06
SWD-100	SSWD-100	SSWD-100-316	5/16-18	1 1/4	2	2 7/8	5/8	250	0.06
SWD-100A	SSWD-100A	SSWD-100A-316	5/16-18	1 1/4	4	4 7/8	5/8	250	0.08
SWD-1	SSWD-1	SSWD-1-316	3/8-16	1 1/4	2	2 7/8	5/8	300	0.12
SWD-1A	SSWD-1A	SSWD-1A-316	3/8-16	1 1/4	4	4 7/8	5/8	300	0.18
SWD-1B	SSWD-1B	SSWD-1B-316	3/8-24	1 1/4	2	2 7/8	5/8	250	0.12
SWD-2	SSWD-2	SSWD-2-316	1/2-13	1 7/8	2	3 1/8	3/4	700	0.24
SWD-2A	SSWD-2A	SSWD-2A-316	1/2-13	1 7/8	4	5 1/8	3/4	700	0.34
SWD-2B	SSWD-2B	SSWD-2B-316	1/2-20	1 7/8	2	3 1/8	3/4	625	0.24
SWD-3	SSWD-3	SSWD-3-316	5/8-11	2 1/2	2	3 1/4	7/8	1200	0.40
SWD-3A	SSWD-3A	SSWD-3A-316	5/8-11	2 1/2	4	5 1/4	7/8	1200	0.50
SWD-3B	SSWD-3B	SSWD-3B-316	5/8-18	2 1/2	2	3 1/4	7/8	1100	0.40
SWD-4	SSWD-4	SSWD-4-316	3/4-10	3	2	3 1/2	1 1/16	1800	0.72
SWD-4A	SSWD-4A	SSWD-4A-316	3/4-10	3	4	5 1/2	1 1/16	1800	0.92
SWD-4B	SSWD-4B	SSWD-4B-316	3/4-16	3	2	3 1/2	1 1/16	1650	0.72
SWD-5	SSWD-5	SSWD-5-316	1-8	4	3 1/2	5 3/8	1 3/8	2400	1.70
SWD-5EL	SSWD-5EL	SSWD-5EL-316	1-8	4	4 1/4	6 1/8	1 3/8	2400	1.86
SWD-5A	SSWD-5A	SSWD-5A-316	1-8	4	6	7 7/8	1 3/8	2400	2.20
SWD-5B	SSWD-5B	SSWD-5B-316	1-12	4	3 1/2	5 3/8	1 3/8	2250	1.70
SWD-5C	SSWD-5C	SSWD-5C-316	7/8-9	4	4	5 7/8	1 3/8	1700	1.38
SWD-5D	SSWD-5D	SSWD-5D-316	7/8-14	4	4	5 7/8	1 3/8	1950	1.58
SWD-5G	SSWD-5G	SSWD-5G-316	1-8	4	8	9 7/8	1 3/8	2400	2.45
SWD-6	SSWD-6	SSWD-6-316	1 1/4-7	6	4	6 3/4	1 7/8	3600	3.68
SWD-6EL	SSWD-6EL	SSWD-6EL-316	1 1/4-7	6	6	8 3/4	1 7/8	3600	4.24

**ADE**  
Above Board Electronics, Inc.

Request Info  
🔍 🛒 🕒

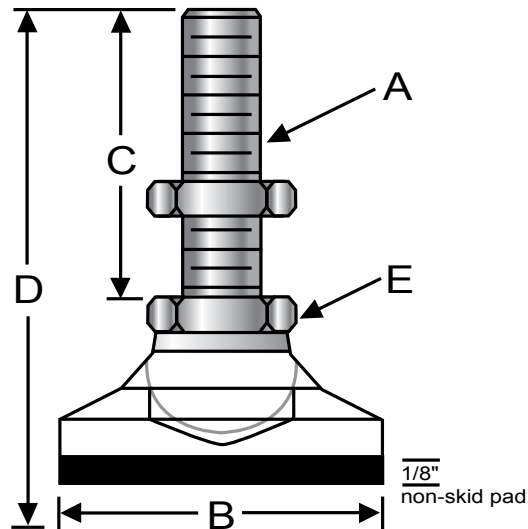
1-800-453-1692

[www.aboveboardelectronics.com](http://www.aboveboardelectronics.com)

888-LEVEL-IT (538-3548)

swmanufacturing.com

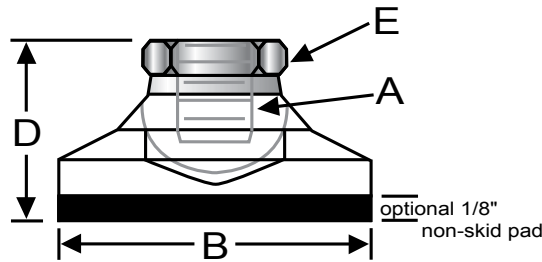
# Level-It™



## Delrin® Stud Style, Non-skid, Inch

Steel P/N	303 Stainless P/N	316 Stainless P/N	Thread (A)	Base Dia (B)	Thread Length (C)	Total Height (D)	Hex Size (E)	Max Load (lbs)	Ship Wt. (lbs)
NSWD-00	NSSWD-00	NSSWD-00-316	10-32	3/4	1	1 5/8	3/8	150	0.02
NSWD-00A	NSSWD-00A	NSSWD-00A-316	10-32	3/4	2	2 5/8	3/8	150	0.02
NSWD-0	NSSWD-0	NSSWD-0-316	1/4-20	1	1 1/4	2 1/16	1/2	200	0.06
NSWD-0A	NSSWD-0A	NSSWD-0A-316	1/4-20	1	2 1/2	3 5/16	1/2	200	0.08
NSWD-0B	NSSWD-0B	NSSWD-0B-316	1/4-28	1	1 1/4	2 1/16	1/2	200	0.06
NSWD-100	NSSWD-100	NSSWD-100-316	5/16-18	1 1/4	2	3	5/8	250	0.06
NSWD-100A	NSSWD-100A	NSSWD-100A-316	5/16-18	1 1/4	4	5	5/8	250	0.08
NSWD-1	NSSWD-1	NSSWD-1-316	3/8-16	1 1/4	2	3	5/8	300	0.12
NSWD-1A	NSSWD-1A	NSSWD-1A-316	3/8-16	1 1/4	4	5	5/8	300	0.18
NSWD-1B	NSSWD-1B	NSSWD-1B-316	3/8-24	1 1/4	2	3	5/8	250	0.12
NSWD-2	NSSWD-2	NSSWD-2-316	1/2-13	1 7/8	2	3 1/4	3/4	700	0.25
NSWD-2A	NSSWD-2A	NSSWD-2A-316	1/2-13	1 7/8	4	5 1/4	3/4	700	0.35
NSWD-2B	NSSWD-2B	NSSWD-2B-316	1/2-20	1 7/8	2	3 1/4	3/4	625	0.25
NSWD-3	NSSWD-3	NSSWD-3-316	5/8-11	2 1/2	2	3 3/8	7/8	1200	0.42
NSWD-3A	NSSWD-3A	NSSWD-3A-316	5/8-11	2 1/2	4	5 3/8	7/8	1200	0.52
NSWD-3B	NSSWD-3B	NSSWD-3B-316	5/8-18	2 1/2	2	3 3/8	7/8	1100	0.42
NSWD-4	NSSWD-4	NSSWD-4-316	3/4-10	3	2	3 5/8	1 1/16	1800	0.76
NSWD-4A	NSSWD-4A	NSSWD-4A-316	3/4-10	3	4	5 5/8	1 1/16	1800	0.96
NSWD-4B	NSSWD-4B	NSSWD-4B-316	3/4-16	3	2	3 5/8	1 1/16	1650	0.76
NSWD-5	NSSWD-5	NSSWD-5-316	1-8	4	3 1/2	5 1/2	1 3/8	2400	1.80
NSWD-5EL	NSSWD-5EL	NSSWD-5EL-316	1-8	4	4 1/4	6 1/4	1 3/8	2400	1.96
NSWD-5A	NSSWD-5A	NSSWD-5A-316	1-8	4	6	8	1 3/8	2400	2.30
NSWD-5B	NSSWD-5B	NSSWD-5B-316	1-12	4	3 1/2	5 1/2	1 3/8	2250	1.80
NSWD-5C	NSSWD-5C	NSSWD-5C-316	7/8-9	4	4	6	1 3/8	1700	1.48
NSWD-5D	NSSWD-5D	NSSWD-5D-316	7/8-14	4	4	6	1 3/8	1950	1.68
NSWD-5G	NSSWD-5G	NSSWD-5G-316	1-8	4	8	9 7/8	1 3/8	2400	2.45
NSWD-6	NSSWD-6	NSSWD-6-316	1 1/4-7	6	4	6 7/8	1 7/8	3600	3.89
NSWD-6EL	NSSWD-6EL	NSSWD-6EL-316	1 1/4-7	6	6	8 7/8	1 7/8	3600	4.45

# Level-It™



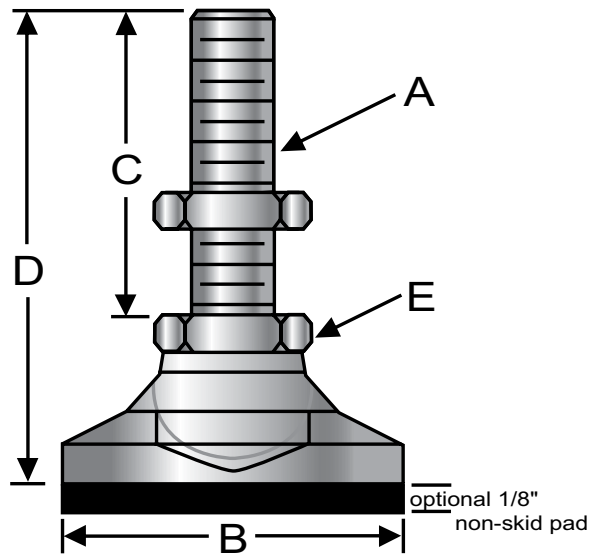
## Delrin® Level-It™ Tapped Style, Inch

Steel P/N	303 Stainless P/N	316 Stainless P/N	Thread (A)	Base Dia (B)	Total Height (D)	Hex Size (E)	Max Load (lbs)	Ship Wt. (lbs)
DTS-00	SDTS-00	SDTS-00-316	10-32	3/4	1/2	3/8	150	0.02
DTS-0	SDTS-0	SDTS-0-316	1/4-20	1	11/16	1/2	200	0.02
DTS-0A	SDTS-0A	SDTS-0A-316	1/4-28	1	11/16	1/2	125	0.04
DTS-100	SDTS-100	SDTS-100-316	5/16-18	1 1/4	7/8	5/8	250	0.06
DTS-101	SDTS-101	SDTS-101-316	5/16-24	1 1/4	7/8	5/8	200	0.06
DTS-1	SDTS-1	SDTS-1-316	3/8-16	1 1/4	7/8	5/8	300	0.06
DTS-1A	SDTS-1A	SDTS-1A-316	3/8-24	1 1/4	7/8	5/8	250	0.06
DTS-2	SDTS-2	SDTS-2-316	1/2-13	1 7/8	1 1/8	3/4	700	0.10
DTS-2A	SDTS-2A	SDTS-2A-316	1/2-20	1 7/8	1 1/8	3/4	625	0.10
DTS-3	SDTS-3	SDTS-3-316	5/8-11	2 1/2	1 1/4	7/8	1200	0.20
DTS-3A	SDTS-3A	SDTS-3A-316	5/8-18	2 1/2	1 1/4	7/8	1100	0.20
DTS-4	SDTS-4	SDTS-4-316	3/4-10	3	1 1/2	1 1/16	1800	0.36
DTS-4A	SDTS-4A	SDTS-4A-316	3/4-16	3	1 1/2	1 1/16	1650	0.36
DTS-5	SDTS-5	SDTS-5-316	1-8	4	1 7/8	1 3/8	2400	0.72
DTS-5A	SDTS-5A	SDTS-5A-316	7/8-14	4	1 7/8	1 3/8	1950	0.74
DTS-5B	SDTS-5B	SDTS-5B-316	7/8-9	4	1 7/8	1 3/8	1700	0.74
DTS-5C	SDTS-5C	SDTS-5C-316	1-12	4	1 7/8	1 3/8	2250	0.72
DTS-6	SDTS-6	SDTS-6-316	1 1/4-7	6	2 3/4	1 7/8	3600	1.84

## Delrin® Level-It™ Tapped Style, Non-skid, Inch

Steel P/N	303 Stainless P/N	316 Stainless P/N	Thread (A)	Base Dia (B)	Total Height (D)	Hex Size (E)	Max Load (lbs)	Ship Wt. (lbs)
NDTS-00	NSDTS-00	NSDTS-00-316	10-32	3/4	5/8	3/8	150	0.02
NDTS-0	NSDTS-0	NSDTS-0-316	1/4-20	1	13/16	1/2	200	0.02
NDTS-0A	NSDTS-0A	NSDTS-0A-316	1/4-28	1	13/16	1/2	125	0.04
NDTS-100	NSDTS-100	NSDTS-100-316	5/16-18	1 1/4	1	5/8	250	0.06
NDTS-101	NSDTS-101	NSDTS-101-316	5/16-24	1 1/4	1	5/8	200	0.06
NDTS-1	NSDTS-1	NSDTS-1-316	3/8-16	1 1/4	1	5/8	300	0.06
NDTS-1A	NSDTS-1A	NSDTS-1A-316	3/8-24	1 1/4	1	5/8	250	0.06
NDTS-2	NSDTS-2	NSDTS-2-316	1/2-13	1 7/8	1 1/4	3/4	700	0.11
NDTS-2A	NSDTS-2A	NSDTS-2A-316	1/2-20	1 7/8	1 1/4	3/4	625	0.11
NDTS-3	NSDTS-3	NSDTS-3-316	5/8-11	2 1/2	1 3/8	7/8	1200	0.22
NDTS-3A	NSDTS-3A	NSDTS-3A-316	5/8-18	2 1/2	1 3/8	7/8	1100	0.22
NDTS-4	NSDTS-4	NSDTS-4-316	3/4-10	3	1 5/8	1 1/16	1800	0.40
NDTS-4A	NSDTS-4A	NSDTS-4A-316	3/4-16	3	1 5/8	1 1/16	1650	0.40
NDTS-5	NSDTS-5	NSDTS-5-316	1-8	4	2	1 3/8	2400	0.82
NDTS-5A	NSDTS-5A	NSDTS-5A-316	7/8-14	4	2	1 3/8	1950	0.84
NDTS-5B	NSDTS-5B	NSDTS-5B-316	7/8-9	4	2	1 3/8	1700	0.84
NDTS-5C	NSDTS-5C	NSDTS-5C-316	1-12	4	2	1 3/8	2250	0.82
NDTS-6	NSDTS-6	NSDTS-6-316	1 1/4-7	6	2 7/8	1 7/8	3600	2.05

# Level-It™



## Level-It™ Stud Style, Metric

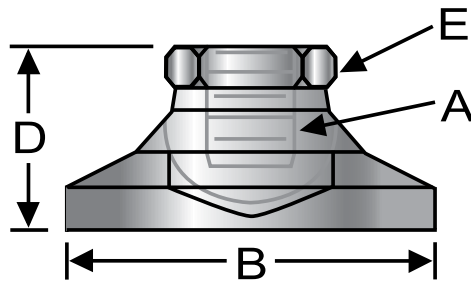
Steel P/N	303 Stainless P/N	316 Stainless P/N	Thread (A)	Base Dia (B)	Thread Length (C)	Total Height (D)	Hex Size (E)	Max Load (kg)	Ship Wt. (lbs)
MB-SW00	MS-SW00	MS-SW00-316	M6	19	25	38	10	315	0.04
MB-SW0	MS-SW0	MS-SW0-316	M8	25	32	49	12	450	0.10
MB-SW1	MS-SW1	MS-SW1-316	M10	32	51	73	16	1700	0.22
MB-SW2	MS-SW2	MS-SW2-316	M12	48	51	79	20	2250	0.48
MB-SW3	MS-SW3	MS-SW3-316	M16	64	51	83	22	2700	1.06
MB-SW4	MS-SW4	MS-SW4-316	M20	76	51	89	27	3350	1.70
MB-SW5	MS-SW5	MS-SW5-316	M24	102	89	137	35	9000	3.54
MB-SW5EL	MS-SW5EL	MS-SW5EL-316	M24	102	108	156	35	9000	3.70
MB-SW6	MS-SW6	MS-SW6-316	M30	152	102	172	48	19500	10.40
MB-SW6EL	MS-SW6EL	MS-SW6EL-316	M30	152	152	222	48	19500	10.91

## Level-It™ Stud Style, Non-skid Pad, Metric

Steel P/N	303 Stainless P/N	316 Stainless P/N	Thread (A)	Base Dia (B)	Thread Length (C)	Total Height (D)	Hex Size (E)	Max Load (kg)	Ship Wt. (lbs)
MN-SW00	NMS-SW00	NMS-SW00-316	M6	19	25	41	10	235	0.04
MN-SW0	NMS-SW0	NMS-SW0-316	M8	25	32	52	12	340	0.10
MN-SW1	NMS-SW1	NMS-SW1-316	M10	32	51	76	16	1270	0.22
MN-SW2	NMS-SW2	NMS-SW2-316	M12	48	51	83	20	1700	0.49
MN-SW3	NMS-SW3	NMS-SW3-316	M16	64	51	86	22	2045	1.08
MN-SW4	NMS-SW4	NMS-SW4-316	M20	76	51	92	27	2520	1.74
MN-SW5	NMS-SW5	NMS-SW5-316	M24	102	89	140	35	6800	3.64
MN-SW5EL	NMS-SW5EL	NMS-SW5EL-316	M24	102	108	159	35	6800	3.80
MN-SW6	NMS-SW6	NMS-SW6-316	M30	152	102	175	48	14650	10.61
MN-SW6EL	NMS-SW6EL	NMS-SW6EL-316	M30	152	152	225	48	14650	11.12

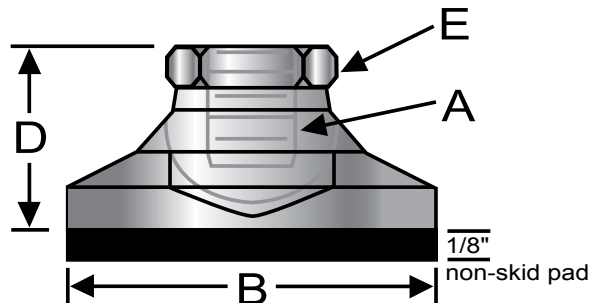


# Level-It™



## Level-It™ Tapped Style, Metric

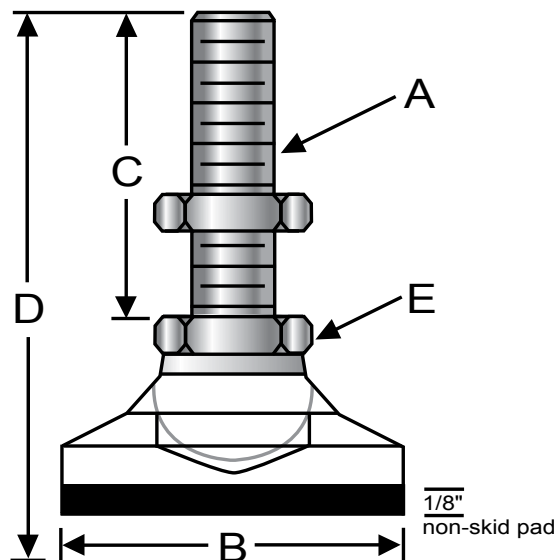
Steel P/N	303 Stainless P/N	316 Stainless P/N	Thread (A)	Base Dia (B)	Total Height (D)	Hex Size (E)	Max Load (kg)	Ship Wt. (lbs)
MT-SW00	MS-TW00	MS-TW00-316	M6	19	13	10	315	0.02
MT-SW0	MS-TW0	MS-TW0-316	M8	25	17	12	450	0.08
MT-SW1	MS-TW1	MS-TW1-316	M10	32	22	16	1700	0.14
MT-SW2	MS-TW2	MS-TW2-316	M12	48	29	20	2250	0.34
MT-SW3	MS-TW3	MS-TW3-316	M16	64	32	22	2700	0.78
MT-SW4	MS-TW4	MS-TW4-316	M20	76	38	27	3350	1.30
MT-SW5	MS-TW5	MS-TW5-316	M24	102	48	35	9000	2.48
MT-SW6	MS-TW6	MS-TW6-316	M30	152	70	48	19500	5.38



## Level-It™ Tapped Style, Non-skid, Metric

Steel P/N	303 Stainless P/N	316 Stainless P/N	Thread (A)	Base Dia (B)	Total Height (D)	Hex Size (E)	Max Load (kg)	Ship Wt. (lbs)
MN-TS00	NMS-TW00	NMS-TW00-316	M6	19	13	10	235	0.02
MN-TS0	NMS-TW0	NMS-TW0-316	M8	25	17	12	340	0.08
MN-TS1	NMS-TW1	NMS-TW1-316	M10	32	22	16	1270	0.20
MN-TS2	NMS-TW2	NMS-TW2-316	M12	48	29	20	1700	0.35
MN-TS3	NMS-TW3	NMS-TW3-316	M16	64	32	22	2045	0.80
MN-TS4	NMS-TW4	NMS-TW4-316	M20	76	38	27	2520	1.40
MN-TS5	NMS-TW5	NMS-TW5-316	M24	102	48	35	6800	2.58
MN-TS6	NMS-TW6	NMS-TW6-316	M30	152	70	48	14650	5.59

# Level-It™



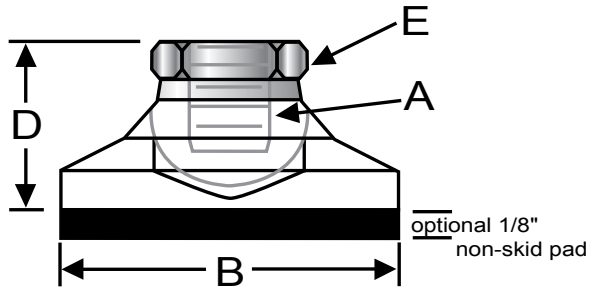
## Delrin® Stud Style, Metric

Steel P/N	303 Stainless P/N	316 Stainless P/N	Thread (A)	Base Dia (B)	Thread Length (C)	Total Height (D)	Hex Size (E)	Max Load (kg)	Ship Wt. (lbs)
MS-WD00	SMS-WD00	SMS-WD00-316	M6	19	25	38	10	68	0.02
MS-WD0	SMS-WD0	SMS-WD0-316	M8	25	32	49	12	91	0.06
MS-WD1	SMS-WD1	SMS-WD1-316	M10	32	51	73	16	136	0.12
MS-WD2	SMS-WD2	SMS-WD2-316	M12	48	51	79	20	318	0.24
MS-WD3	SMS-WD3	SMS-WD3-316	M16	64	51	83	22	544	0.40
MS-WD4	SMS-WD4	SMS-WD4-316	M20	76	51	89	27	818	0.72
MS-WD5	SMS-WD5	SMS-WD5-316	M24	102	89	137	35	1090	1.70
MS-WD6	SMS-WD6	SMS-WD6-316	M30	152	102	172	48	1636	3.68

## Delrin® Stud Style, Non-skid Pad, Metric

Steel P/N	303 Stainless P/N	316 Stainless P/N	Thread (A)	Base Dia (B)	Thread Length (C)	Total Height (D)	Hex Size (E)	Max Load (kg)	Ship Wt. (lbs)
NMS-WD00	NSMS-WD00	NSMS-WD00-316	M6	19	25	41	10	68	0.02
NMS-WD0	NSMS-WD0	NSMS-WD0-316	M8	25	32	52	12	91	0.02
NMS-WD1	NSMS-WD1	NSMS-WD1-316	M10	32	51	76	16	136	0.22
NMS-WD2	NSMS-WD2	NSMS-WD2-316	M12	48	51	83	20	318	0.25
NMS-WD3	NSMS-WD3	NSMS-WD3-316	M16	64	51	86	22	544	0.42
NMS-WD4	NSMS-WD4	NSMS-WD4-316	M20	76	51	92	27	818	0.76
NMS-WD5	NSMS-WD5	NSMS-WD5-316	M24	102	89	140	35	1090	1.80
NMS-WD6	NSMS-WD6	NSMS-WD6-316	M30	152	102	175	48	1636	3.89

# Level-It™



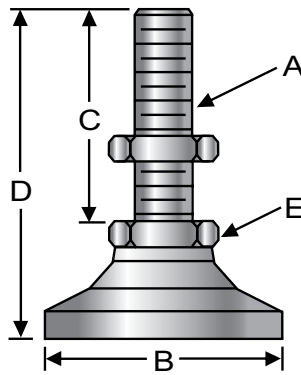
## Delrin® Tapped Style, Metric

Steel P/N	303 Stainless P/N	316 Stainless P/N	Thread (A)	Base Dia (B)	Total Height (D)	Hex Size (E)	Max Load (kg)	Ship Wt. (lbs)
MD-TS00	SMD-TS00	SMD-TS00-316	M6	19	13	10	68	0.02
MD-TS0	SMD-TS0	SMD-TS0-316	M8	25	17	12	91	0.02
MD-TS1	SMD-TS1	SMD-TS1-316	M10	32	22	16	136	0.06
MD-TS2	SMD-TS2	SMD-TS2-316	M12	48	29	20	318	0.10
MD-TS3	SMD-TS3	SMD-TS3-316	M16	64	32	22	544	0.20
MD-TS4	SMD-TS4	SMD-TS4-316	M20	76	38	27	818	0.36
MD-TS5	SMD-TS5	SMD-TS5-316	M24	102	48	35	1090	0.72
MD-TS6	SMD-TS6	SMD-TS6-316	M30	152	70	48	1636	1.84

## Delrin® Tapped Style, Non-skid, Metric

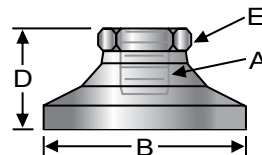
Steel P/N	303 Stainless P/N	316 Stainless P/N	Thread (A)	Base Dia (B)	Total Height (D)	Hex Size (E)	Max Load (kg)	Ship Wt. (lbs)
NMD-TS00	NSMD-TS00	NSMD-TS00-316	M6	19	16	10	68	0.02
NMD-TS0	NSMD-TS0	NSMD-TS0-316	M8	25	21	12	91	0.02
NMD-TS1	NSMD-TS1	NSMD-TS1-316	M10	32	25	16	136	0.06
NMD-TS2	NSMD-TS2	NSMD-TS2-316	M12	48	32	20	318	0.11
NMD-TS3	NSMD-TS3	NSMD-TS3-316	M16	64	35	22	544	0.22
NMD-TS4	NSMD-TS4	NSMD-TS4-316	M20	76	41	27	818	0.40
NMD-TS5	NSMD-TS5	NSMD-TS5-316	M24	102	51	35	1090	0.82
NMD-TS6	NSMD-TS6	NSMD-TS6-316	M30	152	73	48	1636	2.05

# Level-It™ Non-swivel



## Non-swivel, Stud Style, Inch

Steel P/N	Stainless P/N	Thread (A)	Base Dia (B)	Thread Length (C)	Total Height (D)	Hex Size (E)	Max Load (lbs)	Ship Wt. (lbs)
CSW-0	CSSW-0	1/4-20	1	1 1/4	1 15/16	1/2	1000	0.10
CSW-0B	CSSW-0B	1/4-28	1	1 1/4	1 15/16	1/2	775	0.12
CSW-100	CSSW-100	5/16-18	1 1/4	2	2 7/8	5/8	2500	0.10
CSW-1	CSSW-1	3/8-16	1 1/4	2	2 7/8	5/8	3750	0.22
CSW-1B	CSSW-1B	3/8-24	1 1/4	2	2 7/8	5/8	3300	0.20
CSW-2	CSSW-2	1/2-13	1 7/8	2	3 1/8	3/4	5000	0.48
CSW-2B	CSSW-2B	1/2-20	1 7/8	2	3 1/8	3/4	4000	0.50
CSW-3	CSSW-3	5/8-11	2 1/2	2	3 1/4	7/8	6000	1.06
CSW-3B	CSSW-3B	5/8-18	2 1/2	2	3 1/4	7/8	5000	1.06
CSW-4	CSSW-4	3/4-10	3	2	3 1/2	1 1/16	7400	1.70
CSW-4B	CSSW-4B	3/4-16	3	2	3 1/2	1 1/16	6200	1.14
CSW-5	CSSW-5	1-8	4	3 1/2	5 3/8	1 3/8	20000	3.54
CSW-5B	CSSW-5B	1-12	4	3 1/2	5 3/8	1 3/8	18000	3.50
CSW-5C	CSSW-5C	7/8-9	4	4	5 7/8	1 3/8	15000	3.32
CSW-5D	CSSW-5D	7/8-14	4	4	5 7/8	1 3/8	13500	3.40

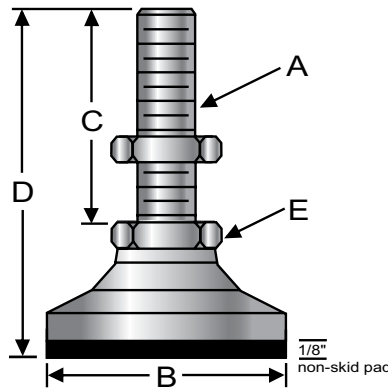


## Non-swivel, Tapped Style, Inch

Steel P/N	Stainless P/N	Thread (A)	Base Dia (B)	Total Height (D)	Hex Size (E)	Max Load (lbs)	Ship Wt. (lbs)
CTSW-0	CSTS-0	1/4-20	1	11/16	1/2	1000	0.08
CTSW-0A	CSTS-0A	1/4-28	1	11/16	1/2	775	0.08
CTSW-100	CSTS-100	5/16-18	1 1/4	7/8	5/8	2500	0.12
CTSW-101	CSTS-101	5/16-24	1 1/4	7/8	5/8	2150	0.12
CTSW-1	CSTS-1	3/8-16	1 1/4	7/8	5/8	3750	0.14
CTSW-1A	CSTS-1A	3/8-24	1 1/4	7/8	5/8	3300	0.14
CTSW-2	CSTS-2	1/2-13	1 7/8	1 1/8	3/4	5000	0.34
CTSW-2A	CSTS-2A	1/2-20	1 7/8	1 1/8	3/4	4000	0.34
CTSW-3	CSTS-3	5/8-11	2 1/2	1 1/4	7/8	6000	0.78
CTSW-3A	CSTS-3A	5/8-18	2 1/2	1 1/4	7/8	5000	0.78
CTSW-4	CSTS-4	3/4-10	3	1 1/2	1 1/16	7400	1.30
CTSW-4A	CSTS-4A	3/4-16	3	1 1/2	1 1/16	6200	1.30
CTSW-5	CSTS-5	1-8	4	1 7/8	1 3/8	20000	2.48
CTSW-5A	CSTS-5A	7/8-14	4	1 7/8	1 3/8	13500	2.42
CTSW-5B	CSTS-5B	7/8-9	4	1 7/8	1 3/8	15000	2.42
CTSW-5C	CSTS-5C	1-12	4	1 7/8	1 3/8	18000	2.48

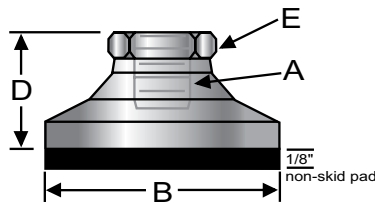
# Level-It™ Non-swivel

## Non-swivel, Stud Style, Non-skid, Inch



Steel P/N	Stainless P/N	Thread (A)	Base Dia (B)	Thread Length (C)	Total Height (D)	Hex Size (E)	Max Load (lbs)	Ship Wt. (lbs)
CNSW-0	CNSSW-0	1/4-20	1	1 1/4	2 1/16	1/2	750	0.10
CNSW-0B	CNSSW-0B	1/4-28	1	1 1/4	2 1/16	1/2	580	0.12
CNSW-100	CNSSW-100	5/16-18	1 1/4	2	3	5/8	1875	0.10
CNSW-1	CNSSW-1	3/8-16	1 1/4	2	3	5/8	2800	0.22
CNSW-1B	CNSSW-1B	3/8-24	1 1/4	2	3	5/8	2475	0.20
CNSW-2	CNSSW-2	1/2-13	1 7/8	2	3 1/4	3/4	3750	0.49
CNSW-2B	CNSSW-2B	1/2-20	1 7/8	2	3 1/4	3/4	3000	0.51
CNSW-3	CNSSW-3	5/8-11	2 1/2	2	3 3/8	7/8	4500	1.08
CNSW-3B	CNSSW-3B	5/8-18	2 1/2	2	3 3/8	7/8	3750	1.08
CNSW-4	CNSSW-4	3/4-10	3	2	3 5/8	1 1/16	5550	1.74
CNSW-4B	CNSSW-4B	3/4-16	3	2	3 5/8	1 1/16	4650	1.18
CNSW-5	CNSSW-5	1-8	4	3 1/2	5 1/2	1 3/8	15000	3.64
CNSW-5B	CNSSW-5B	1-12	4	3 1/2	5 1/2	1 3/8	13500	3.60
CNSW-5C	CNSSW-5C	7/8-9	4	4	6	1 3/8	11250	3.42
CNSW-5D	CNSSW-5D	7/8-14	4	4	6	1 3/8	10125	3.50

## Non-swivel, Tapped Style, Non-skid, Inch



Steel P/N	Stainless P/N	Thread (A)	Base Dia (B)	Total Height (D)	Hex Size (E)	Max Load (lbs)	Ship Wt. (lbs)
CNTS-0	CNSTS-0	1/4-20	1	13/16	1/2	750	0.08
CNTS-0A	CNSTS-0A	1/4-28	1	13/16	1/2	580	0.08
CNTS-100	CNSTS-100	5/16-18	1 1/4	1	5/8	1875	0.12
CNTS-101	CNSTS-101	5/16-24	1 1/4	1	5/8	1600	0.12
CNTS-1	CNSTS-1	3/8-16	1 1/4	1	5/8	2800	0.14
CNTS-1A	CNSTS-1A	3/8-24	1 1/4	1	5/8	2475	0.14
CNTS-2	CNSTS-2	1/2-13	1 7/8	1 1/4	3/4	3750	0.35
CNTS-2A	CNSTS-2A	1/2-20	1 7/8	1 1/4	3/4	3000	0.35
CNTS-3	CNSTS-3	5/8-11	2 1/2	1 3/8	7/8	4500	0.80
CNTS-3A	CNSTS-3A	5/8-18	2 1/2	1 3/8	7/8	3750	0.80
CNTS-4	CNSTS-4	3/4-10	3	1 5/8	1 1/16	5550	1.34
CNTS-4A	CNSTS-4A	3/4-16	3	1 5/8	1 1/16	4650	1.34
CNTS-5	CNSTS-5	1-8	4	2	1 3/8	15000	2.58
CNTS-5A	CNSTS-5A	7/8-14	4	2	1 3/8	10125	2.52
CNTS-5B	CNSTS-5B	7/8-9	4	2	1 3/8	11250	2.52
CNTS-5C	CNSTS-5C	1-12	4	2	1 3/8	13500	2.48