

Glide-Rite™ Leveling Mounts

These industrial glides are some of our most economical levelers, suitable for such light duty applications as office furniture, cabinetry, shelving, point of purchase (POP) displays and small machines. Available in clear zinc-plated steel or stainless steel.



Specifications:

Clear zinc plated or stainless steel cap over base

Clear zinc plated or stainless steel stud

Plastic thermoplastic or non-skid elastomer base

Inch and metric thread sizes

Customize any stud



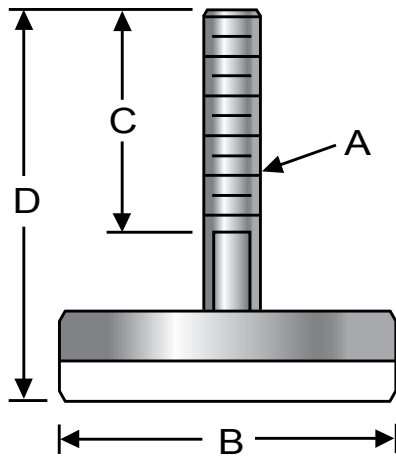
Request Info



1-800-453-1692

www.aboveboardelectronics.com

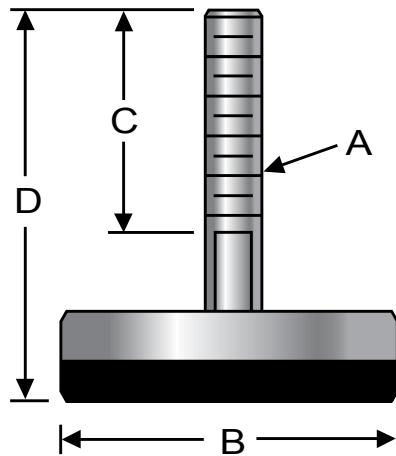
Glide Rite™ Leveling Mounts



Nylon Base, Inch

Steel P/N	Stainless P/N	Thread (A)	Base Dia (B)	Thread Length (C)	Total Height (D)	Max Load (lbs)	Ship Wt. (lbs)
G-01	SG-01	10-24	1.200	1 1/2	2 1/4	250	0.04
G-02	SG-02	1/4-20	1.200	1 1/2	2 1/4	250	0.04
G-03	SG-03	5/16-18	1.200	1 1/2	2 1/4	250	0.04
G-04	SG-04	5/16-18	2.030	2	3	250	0.12
G-05	SG-05	3/8-16	2.030	2	3	250	0.14
G-06	SG-06	3/8-16	2.400	2	3	250	0.18
G-07	SG-07	3/8-16	2.400	4	5	250	0.24
G-08	SG-08	1/2-13	2.400	2	3	250	0.24
G-09	SG-09	1/2-13	2.400	4	5	250	0.34
G-010	SG-010	1/2-13	2.800	2	3 1/16	500	0.26
G-011	SG-011	1/2-13	2.800	4	5 1/16	500	0.36
G-012	SG-012	5/8-11	2.800	2	3 1/16	500	0.32
G-013	SG-013	5/8-11	2.800	4	5 1/16	500	0.48
G-014	SG-014	1/2-13	3.187	4	5 1/8	500	0.44
G-015	SG-015	1/2-13	3.187	6	7 1/8	500	0.52
G-016	SG-016	5/8-11	3.187	4	5 1/8	500	0.56
G-017	SG-017	5/8-11	3.187	6	7 1/8	500	0.70

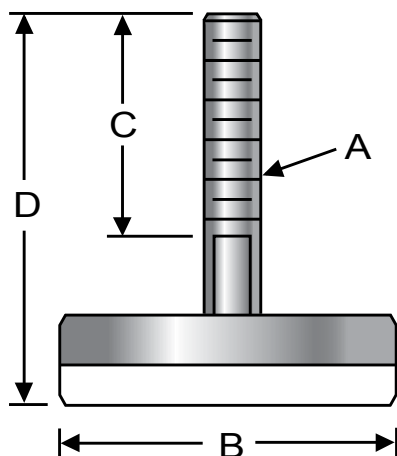
Glide Rite™ Leveling Mounts



Elastomer Base, Inch

Steel P/N	Stainless P/N	Thread (A)	Base Dia (B)	Thread Length (C)	Total Height (D)	Max Load (lbs)	Ship Wt. (lbs)
G01-EL	SG01-EL	10-24	1.200	1 1/2	2 1/4	250	0.04
G02-EL	SG02-EL	1/4-20	1.200	1 1/2	2 1/4	250	0.04
G03-EL	SG03-EL	5/16-18	1.200	1 1/2	2 1/4	250	0.04
G04-EL	SG04-EL	5/16-18	2.030	2	3	250	0.12
G05-EL	SG05-EL	3/8-16	2.030	2	3	250	0.14
G06-EL	SG06-EL	3/8-16	2.400	2	3	250	0.18
G07-EL	SG07-EL	3/8-16	2.400	4	5	250	0.24
G08-EL	SG08-EL	1/2-13	2.400	2	3	250	0.24
G09-EL	SG09-EL	1/2-13	2.400	4	5	250	0.34
G010-EL	SG010-EL	1/2-13	2.800	2	3 1/16	500	0.26
G011-EL	SG011-EL	1/2-13	2.800	4	5 1/16	500	0.36
G012-EL	SG012-EL	5/8-11	2.800	2	3 1/16	500	0.32
G013-EL	SG013-EL	5/8-11	2.800	4	5 1/16	500	0.48
G014-EL	SG014-EL	1/2-13	3.187	4	5 1/8	500	0.44
G015-EL	SG015-EL	1/2-13	3.187	6	7 1/8	500	0.52
G016-EL	SG016-EL	5/8-11	3.187	4	5 1/8	500	0.56
G017-EL	SG017-EL	5/8-11	3.187	6	7 1/8	500	0.70

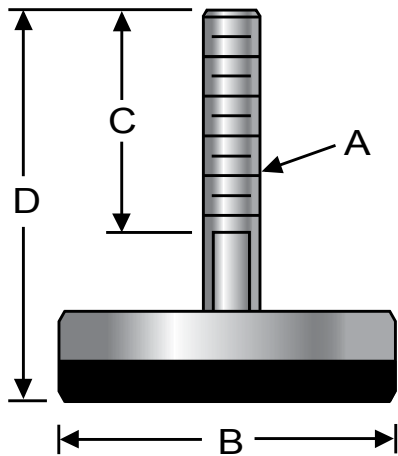
Glide Rite™ Leveling Mounts



Nylon Base, Metric

Steel P/N	Stainless P/N	Thread (A)	Base Dia (B)	Thread Length (C)	Total Height (D)	Max Load (kg)	Ship Wt. (lbs)
MG-01	SMG-01	M6	30	38	57	114	0.04
MG-02	SMG-02	M8	30	38	57	114	0.04
MG-03	SMG-03	M8	52	38	64	114	0.12
MG-04	SMG-04	M10	52	51	76	114	0.14
MG-05	SMG-05	M10	61	51	76	114	0.18
MG-06	SMG-06	M10	61	102	127	114	0.24
MG-07	SMG-07	M12	61	51	76	114	0.24
MG-08	SMG-08	M12	61	102	127	114	0.34
MG-09	SMG-09	M12	71	51	78	227	0.26
MG-010	SMG-010	M12	71	102	129	227	0.36
MG-011	SMG-011	M16	71	51	78	227	0.32
MG-012	SMG-012	M16	71	102	129	227	0.48
MG-013	SMG-013	M12	81	102	130	227	0.44
MG-014	SMG-014	M12	81	152	181	227	0.52
MG-015	SMG-015	M16	81	102	130	227	0.56
MG-016	SMG-016	M16	81	152	181	227	0.70

Glide Rite™ Leveling Mounts



Elastomer Base, Metric

Steel P/N	Stainless P/N	Thread (A)	Base Dia (B)	Thread Length (C)	Total Height (D)	Max Load (kg)	Ship Wt. (lbs)
MG01-EL	SMG01-EL	M6	30	38	57	114	0.04
MG02-EL	SMG02-EL	M8	30	38	57	114	0.04
MG03-EL	SMG03-EL	M8	52	38	64	114	0.12
MG04-EL	SMG04-EL	M10	52	51	76	114	0.14
MG05-EL	SMG05-EL	M10	61	51	76	114	0.18
MG06-EL	SMG06-EL	M10	61	102	127	114	0.24
MG07-EL	SMG07-EL	M12	61	51	76	114	0.24
MG08-EL	SMG08-EL	M12	61	102	127	114	0.34
MG09-EL	SMG09-EL	M12	71	51	78	227	0.26
MG10-EL	SMG10-EL	M12	71	102	129	227	0.36
MG11-EL	SMG11-EL	M16	71	51	78	227	0.32
MG12-EL	SMG12-EL	M16	71	102	129	227	0.48
MG13-EL	SMG13-EL	M12	81	102	130	227	0.44
MG14-EL	SMG14-EL	M12	81	152	181	227	0.52
MG15-EL	SMG15-EL	M16	81	102	130	227	0.56
MG16-EL	SMG16-EL	M16	81	152	181	227	0.70