

Anti-Vibe® Vibration Control Mounts

The patented Anti-Vibe® leveling mount is engineered to reduce transmitted vibrations in all types of machinery and sensitive instruments, from large CNC machines to laboratory scales. Offered in three capacities, a properly specified Anti-Vibe® mount can isolate transmitted machinery vibrations by up to 98%. In doing so, customers protect their large investments in machinery by reducing maintenance costs and the costs associated with premature machine failure. For best results use the mount with the maximum load range closest to the specific weight capacity required for each mount.



Patent # D2053583 & D2053584
(UK, Malaysia & Singapore)

Patent # M9600727.3 (Germany)

Specifications:

Low carbon steel with yellow zinc finish or 303 stainless steel

One-piece machined stud

Light-, medium- and heavy-duty capacities

Mounts with studs furnished with jam nut

Inch and metric threads

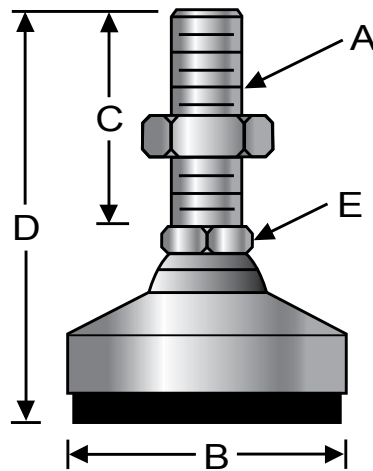
Customize any stud



1-800-453-1692

www.aboveboardelectronics.com

Anti-Vibe® Vibration Control Mounts



Stud Style - Light-duty, Inch

Steel P/N	303 Stainless P/N	Thread (A)	Base Dia (B)	Thread Length (C)	Total Height (D)	Hex Size (E)	Max Load (lbs)	Natural Frequency (Hz)	Ship Wt. (lbs)
BSW-1L	SS-BSW-1L	3/8-16	1 1/4	2	3 1/2	5/8	200	14	0.36
BSW-2L	SS-BSW-2L	1/2-13	1 7/8	2	3 3/4	3/4	500	14	0.84
BSW-3L	SS-BSW-3L	5/8-11	2 1/2	2	3 7/8	7/8	900	13.5	1.48
BSW-4L	SS-BSW-4L	3/4-10	3	2	4 1/8	1 1/16	1250	13.5	2.46
BSW-5L	SS-BSW-5L	1-8	4	3 1/2	6	1 3/8	2250	13	4.56
BSW-6L	SS-BSW-6L	1 1/4-7	6	4	6 7/8	1 7/8	5000	13	9.52

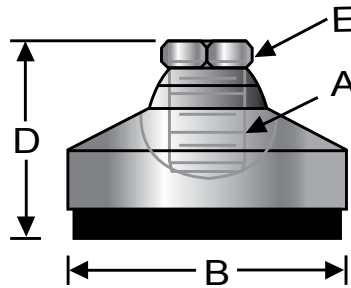
Stud Style - Medium-duty, Inch

Steel P/N	303 Stainless P/N	Thread (A)	Base Dia (B)	Thread Length (C)	Total Height (D)	Hex Size (E)	Max Load (lbs)	Natural Frequency (Hz)	Ship Wt. (lbs)
BSW-1M	SS-BSW-1M	3/8-16	1 1/4	2	3 1/2	5/8	400	16	0.36
BSW-2M	SS-BSW-2M	1/2-13	1 7/8	2	3 3/4	3/4	1000	16	0.84
BSW-3M	SS-BSW-3M	5/8-11	2 1/2	2	3 7/8	7/8	1800	15	1.48
BSW-4M	SS-BSW-4M	3/4-10	3	2	4 1/8	1 1/16	2500	15	2.46
BSW-5M	SS-BSW-5M	1-8	4	3 1/2	6	1 3/8	4500	13.5	4.56
BSW-6M	SS-BSW-6M	1 1/4-7	6	4	6 7/8	1 7/8	10000	13	9.52

Stud Style - Heavy-duty, Inch

Steel P/N	303 Stainless P/N	Thread (A)	Base Dia (B)	Thread Length (C)	Total Height (D)	Hex Size (E)	Max Load (lbs)	Natural Frequency (Hz)	Ship Wt. (lbs)
BSW-1H	SS-BSW-1H	3/8-16	1 1/4	2	3 1/2	5/8	995	14	0.36
BSW-2H	SS-BSW-2H	1/2-13	1 7/8	2	3 3/4	3/4	2400	13	0.84
BSW-3H	SS-BSW-3H	5/8-11	2 1/2	2	3 7/8	7/8	4400	12.5	1.22
BSW-4H	SS-BSW-4H	3/4-10	3	2	4 1/8	1 1/16	6500	12.5	2.30
BSW-5H	SS-BSW-5H	1-8	4	3 1/2	6	1 3/8	11800	11.5	4.70
BSW-6H	SS-BSW-6H	1 1/4-7	6	4	6 7/8	1 7/8	27100	11	9.62

Anti-Vibe® Vibration Control Mounts



Tapped Style - Light-duty, Inch

Steel P/N	303 Stainless P/N	Thread (A)	Base Dia (B)	Total Height (D)	Hex Size (E)	Max Load (lbs)	Natural Frequency (Hz)	Ship Wt. (lbs)
TSW-1L	SS-TSW-1L	3/8-16	1 1/4	1 1/2	5/8	200	14	0.28
TSW-2L	SS-TSW-2L	1/2-13	1 7/8	1 3/4	3/4	500	14	0.70
TSW-3L	SS-TSW-3L	5/8-11	2 1/2	1 7/8	7/8	900	13.5	1.24
TSW-4L	SS-TSW-4L	3/4-10	3	2 1/8	1 1/16	1250	13.5	2.12
TSW-5L	SS-TSW-5L	1-8	4	2 1/2	1 3/8	2250	13	3.86
TSW-6L	SS-TSW-6L	1 1/4-7	6	2 7/8	1 7/8	5000	13	7.70

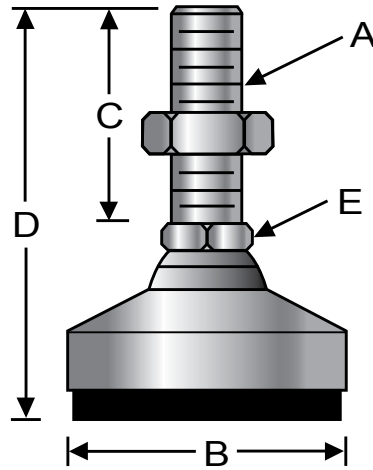
Tapped Style - Medium-duty, Inch

Steel P/N	303 Stainless P/N	Thread (A)	Base Dia (B)	Total Height (D)	Hex Size (E)	Max Load (lbs)	Natural Frequency (Hz)	Ship Wt. (lbs)
TSW-1M	SS-TSW-1M	3/8-16	1 1/4	1 1/2	5/8	400	16	0.28
TSW-2M	SS-TSW-2M	1/2-13	1 7/8	1 3/4	3/4	1000	16	0.70
TSW-3M	SS-TSW-3M	5/8-11	2 1/2	1 7/8	7/8	1800	15	1.24
TSW-4M	SS-TSW-4M	3/4-10	3	2 1/8	1 1/16	2500	15	2.12
TSW-5M	SS-TSW-5M	1-8	4	2 1/2	1 3/8	4500	13.5	3.86
TSW-6M	SS-TSW-6M	1 1/4-7	6	2 7/8	1 7/8	10000	13	7.70

Tapped Style - Heavy-duty, Inch

Steel P/N	303 Stainless P/N	Thread (A)	Base Dia (B)	Total Height (D)	Hex Size (E)	Max Load (lbs)	Natural Frequency (Hz)	Ship Wt. (lbs)
TSW-1H	SS-TSW-1H	3/8-16	1 1/4	1 1/2	5/8	995	14	0.28
TSW-2H	SS-TSW-2H	1/2-13	1 7/8	1 3/4	3/4	2400	13	0.70
TSW-3H	SS-TSW-3H	5/8-11	2 1/2	1 7/8	7/8	4400	12.5	1.24
TSW-4H	SS-TSW-4H	3/4-10	3	2 1/8	1 1/16	6500	12.5	2.12
TSW-5H	SS-TSW-5H	1-8	4	2 1/2	1 3/8	11800	11.5	3.86
TSW-6H	SS-TSW-6H	1 1/4-7	6	2 7/8	1 7/8	27100	11	7.70

Anti-Vibe® Vibration Control Mounts



Stud Style - Light-duty, Metric

Steel P/N	303 Stainless P/N	Thread (A)	Base Dia (B)	Thread Length (C)	Total Height (D)	Hex Size (E)	Max Load (kg)	Natural Frequency (Hz)	Ship Wt. (lbs)
MB-SW1L	SSMB-SW1L	M10	32	51	89	16	23	14	0.36
MB-SW2L	SSMB-SW2L	M12	48	51	95	20	55	14	0.84
MB-SW3L	SSMB-SW3L	M16	64	51	98	22	100	13.5	1.48
MB-SW4L	SSMB-SW4L	M20	76	51	105	27	148	13.5	2.46
MB-SW5L	SSMB-SW5L	M24	102	89	152	35	268	13	4.56
MB-SW6L	SSMB-SW6L	M30	152	102	175	48	314	13	9.52

Stud Style - Medium-duty, Metric

Steel P/N	303 Stainless P/N	Thread (A)	Base Dia (B)	Thread Length (C)	Total Height (D)	Hex Size (E)	Max Load (kg)	Natural Frequency (Hz)	Ship Wt. (lbs)
MB-SW1M	SSMB-SW1M	M10	32	51	89	16	45	16	0.36
MB-SW2M	SSMB-SW2M	M12	48	51	95	20	109	16	0.84
MB-SW3M	SSMB-SW3M	M16	64	51	98	22	200	15	1.48
MB-SW4M	SSMB-SW4M	M20	76	51	105	27	295	15	2.46
MB-SW5M	SSMB-SW5M	M24	102	89	152	35	536	13.5	4.56
MB-SW6M	SSMB-SW6M	M30	152	102	175	48	1230	13	9.52

Stud Style - Heavy-duty, Metric

Steel P/N	303 Stainless P/N	Thread (A)	Base Dia (B)	Thread Length (C)	Total Height (D)	Hex Size (E)	Max Load (kg)	Natural Frequency (Hz)	Ship Wt. (lbs)
MB-SW1H	SSMB-SW1H	M10	32	51	89	16	452	14	0.36
MB-SW2H	SSMB-SW2H	M12	48	51	95	20	1090	13	0.84
MB-SW3H	SSMB-SW3H	M16	64	51	98	22	2000	12.5	1.22
MB-SW4H	SSMB-SW4H	M20	76	51	105	27	2954	12.5	2.30
MB-SW5H	SSMB-SW5H	M24	102	89	152	35	5363	11.5	4.70
MB-SW6H	SSMB-SW6H	M30	152	102	175	48	12318	11	9.62

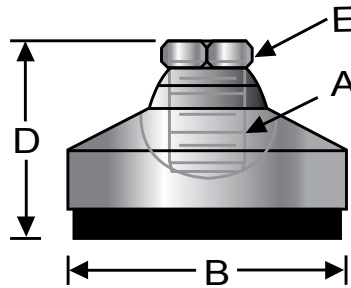


Request Info

1-800-453-1692

www.aboveboardelectronics.com

Anti-Vibe® Vibration Control Mounts



Tapped Style - Light-duty, Metric

Steel P/N	303 Stainless P/N	Thread (A)	Base Dia (B)	Total Height (D)	Hex Size (E)	Max Load (kg)	Natural Frequency (Hz)	Ship Wt. (lbs)
MT-SW1L	SSMT-SW1L	M10	32	38	16	23	14	0.28
MT-SW2L	SSMT-SW2L	M12	48	44	20	55	14	0.70
MT-SW3L	SSMT-SW3L	M16	64	48	22	100	13.5	1.24
MT-SW4L	SSMT-SW4L	M20	76	54	27	148	13.5	2.12
MT-SW5L	SSMT-SW5L	M24	102	64	35	268	13	3.86
MT-SW6L	SSMT-SW6L	M30	152	73	48	314	13	7.70

Tapped Style - Medium-duty, Metric

Steel P/N	303 Stainless P/N	Thread (A)	Base Dia (B)	Total Height (D)	Hex Size (E)	Max Load (kg)	Natural Frequency (Hz)	Ship Wt. (lbs)
MT-SW1M	SSMT-SW1M	M10	32	38	16	45	16	0.28
MT-SW2M	SSMT-SW2M	M12	48	44	20	109	16	0.70
MT-SW3M	SSMT-SW3M	M16	64	48	22	200	15	1.24
MT-SW4M	SSMT-SW4M	M20	76	54	27	295	15	2.12
MT-SW5M	SSMT-SW5M	M24	102	64	35	536	13.5	3.86
MT-SW6M	SSMT-SW6M	M30	152	73	48	1230	13	7.70

Tapped Style - Heavy-duty, Metric

Steel P/N	303 Stainless P/N	Thread (A)	Base Dia (B)	Total Height (D)	Hex Size (E)	Max Load (kg)	Natural Frequency (Hz)	Ship Wt. (lbs)
MT-SW1H	SSMT-SW1H	M10	32	38	16	452	14	0.28
MT-SW2H	SSMT-SW2H	M12	48	44	20	1090	13	0.70
MT-SW3H	SSMT-SW3H	M16	64	48	22	2000	12.5	1.24
MT-SW4H	SSMT-SW4H	M20	76	54	27	2954	12.5	2.12
MT-SW5H	SSMT-SW5H	M24	102	64	35	5363	11.5	3.86
MT-SW6H	SSMT-SW6H	M30	152	73	48	12318	11	7.70