

Grovit[®] For Blind Hole Applications

Designed for blind hole applications in wood, plastics, fibreglass and aluminum. Can also be used in harder substrates.



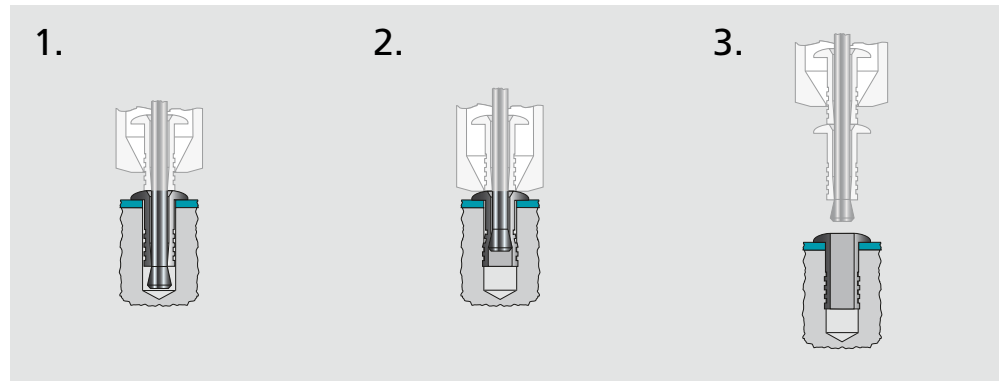
Key features and benefits

- Annular grooves on the body expand radially during installation
- Provide a vibration resistant joint and increased pull-out resistance

Specifications

Sizes:
3/32" to 3/16"
(2.4 mm to 4.8 mm)
Materials:
Zinc plated Steel and
Aluminum Alloy
Head Style:
Dome, Countersunk

Typical placing sequence



Please visit our website www.StanleyEngineeredFastening.com for fastener placing animations.

Assembly applications

- Automotive
- Domestic appliances
- Electrical equipment
- Injection moulded components

Grovit fastener in timber



Trouser press



Trouser press (detail)



PVC connector block in air conditioning unit



Grovit fastener used as a quick connect low pressure bleed hose



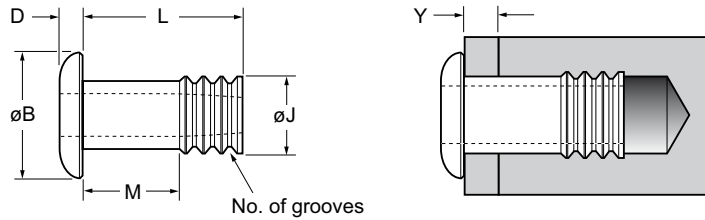
PVC strip connector


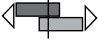




English	Français	Deutsch	Italiano	Español
Dome head	Tête plate	Flachrundkopf	Testa tonda	Cabeza alomada
Low carbon steel*	Acier bas carbone*	Stahl*	Acciaio a basso tenore di carbonio*	Acero bajo en carbono*
Zinc plated	Revêtement zingué	Verzinkt	Zincato	Zincado
Clear trivalent passivated	Passivation claire trivalente	Klar chromatiert, Cr6-frei	Passivazione chiara trivalente	Pasivado claro trivalente

*: SAE 1008 / EN 10263-2 C8C (DIN 10263-2 C8C, Qst 34-3)



ø	Y			øB	D	L	øJ	M	No. of grooves cannelures/ Rillen / rigature / aros		Fasteners per pod Nombre de rivets par chargeur / Niete pro Magazin/ Rivetti per carica- tore / Uds./carga	Part No.
		min.	max.									
1/8" (3.2)	.141 (3.6)	.136 (3.45)	.139 (3.55)	.205 (5.6)	.039 (1.0)	.312 (8.8)	.135 (3.43)	.125 (3.2)	3	269 (1.20)	32	01101-00410
5/32" (4.0)	.110 (2.8)	.173 (4.40)	.177 (4.50)	.245 (6.6)	.052 (1.3)	.375 (10.4)	.172 (4.37)	.063 (1.6)	3	494 (2.20)	36	01101-00508
	.125 (3.2)							4	25		01101-00512	
	.187 (4.8)							4	22		01101-00514	
3/16" (4.8)	.126 (3.2)	.200 (5.08)	.204 (5.18)	.339 (9.0)	.065 (1.7)	.281 (8.0)	.199 (5.05)	.094 (2.4)	3	787 (3.50)	31	01101-00609
	.283 (7.2)							.343 (8.8)	4		17	01101-00619

dimensions in inch and (mm) / en pouces et (millimètre) / alle Maße in Zoll und (mm) / in pollici e (millimetri) / en pulgadas y (milímetros)

1) typical values / valeurs moyennes / typische Werte / Valori tipici / valores típicos

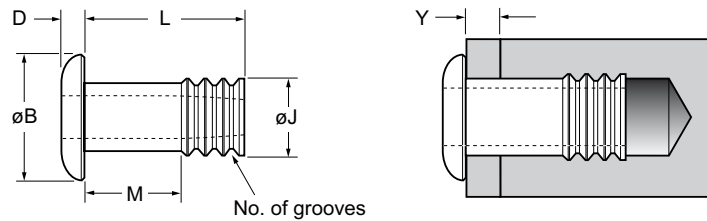


English	Français	Deutsch	Italiano	Español
Dome head	Tête plate	Flachrundkopf	Testa tonda	Cabeza alomada
Aluminum alloy* (2.5 % Mg)	Alliage d'aluminium* (2.5% Mg)	Aluminium* (2.5 % Mg)	Lega di alluminio* (2.5% Mg)	Aluminio* (2.5% Mg)
Natural	Brut	Blank	Nessuna finitura	Natural

*: AA 5052, DIN 1725 AlMg2.5 Werkstoff 3.3523

Optional on request / sur demande / auf Anfrage / su richiesta / bajo petición:

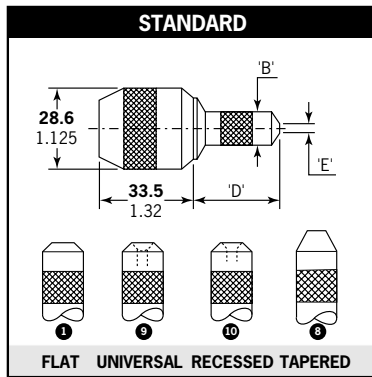
- 120° countersunk head: replace part no. 01103 with 01104. Details on request.
- 120° tête fraisée: remplacer la série 01103 par 01104. Détails sur demande.
- 120° Senkkopf: ersetzen Sie 01103 durch 01104. Details auf Anfrage.
- 120° testa svasata: sostituire 01103 con 01104. Dettagli su richiesta.
- 120° cabeza avellanada: cambiar 01103 por 01104. Más información bajo petición.



ø	Y	No. of grooves		øB	D	L	øJ	M	No. of grooves cannelures/ Rillen / rigature / aros	lbf (kN) ¹⁾	Fasteners per pod Nombre de rivets par chargeur / Niete pro Magazin/ Rivetti per carica- tore / Uds./carga	Part No.
		min.	max.									
3/32" (2.4)	.078 (2.0)	.101 (2.56)	.104 (2.66)	.156 (4.2)	.031 (1.0)	.187 (5.6)	.100 (2.54)	.078 (2.0)	2	63 (0.28)	46	01103-00306
1/8" (3.2)	.141 (3.6)	.136 (3.45)	.139 (3.53)	.205 (5.6)	.039 (1.2)	.312 (8.8)	.135 (3.43)	.125 (3.2)	3	112 (0.50)	32	01103-00410
5/32" (4.0)	.110 (2.8)	.173 (4.40)	.177 (4.50)	.245 (6.6)	.052 (1.4)	.250 (7.2)	.172 (4.37)	.063 (1.6)	3	184 (0.82)	36	01103-00508
	.437 (11.9)					.187 (4.8)		4				
3/16" (4.8)	.126 (3.2)	.200 (5.08)	.204 (5.18)	.339 (9.0)	.065 (1.7)	.281 (8.0)	.199 (5.05)	.094 (2.4)	3	260 (1.16)	31	01103-00609
	.283 (7.2)					.343 (8.8)		4				

dimensions in inch and (mm) / en pouces et (millimètre) / alle Maße in Zoll und (mm) / in pollici e (millimetri) / en pulgadas y (milímetros)

1) typical values / valeurs moyennes / typische Werte / Valori tipici / valores típicos



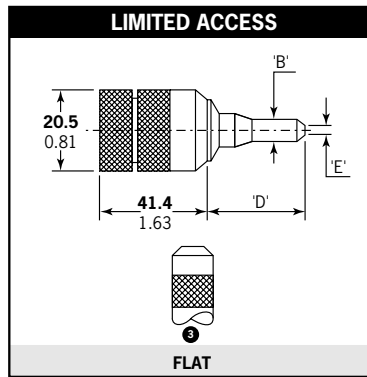
Applications with no or little access restrictions.

Pour applications ne présentant que peu ou pas de contraintes d'accès.

Für alle gut zugänglichen Nietpunkte.

Adatta per applicazioni senza restrizioni di accesso o con restrizioni di accesso limitate.

Apta para aquellas aplicaciones sin ninguna o pocas restricciones de acceso.



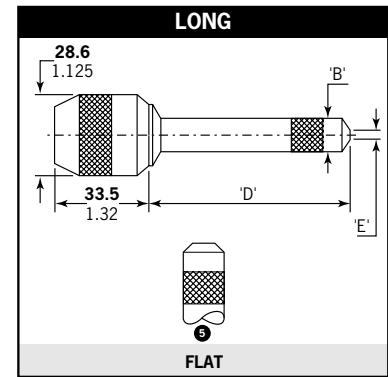
Allows access into very restrictive applications.

Permet d'accéder à des applications à accès très limité.

Für eng an den Bauteilseiten anliegende Nietpunkte.

Consente l'accesso ad applicazioni con serie restrizioni di accesso.

Permite el acceso en aplicaciones de acceso extremadamente limitado.

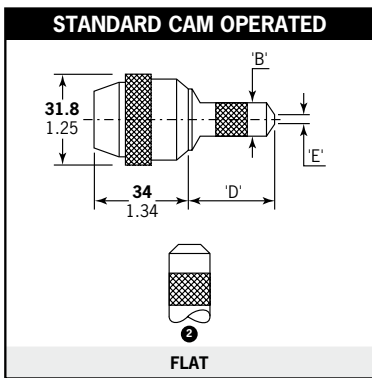


Allows more penetration into applications.

Permet une pénétration supérieure dans les applications sans autres contraintes d'accès. Für tiefsitzende und eng an den Bauteilseiten anliegende Nietpunkte.

Consente una penetrazione maggiore nell'applicazione senza altre restrizioni di accesso.

Permite una mayor profundidad de acceso en aquellas aplicaciones sin restricción de acceso en anchura.



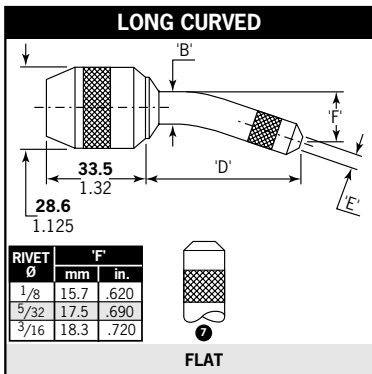
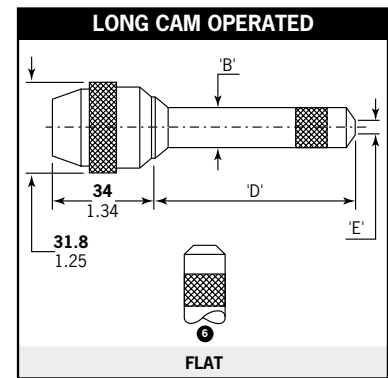
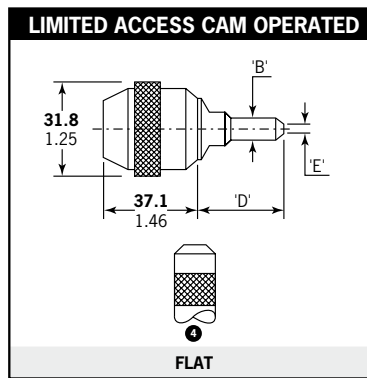
Nose equipment with addition of a twist cam to ease and speed up the nose jaw opening thus the pod reloading procedure.

Ensembles de nez avec, en plus, une came facilitant et accélérant l'ouverture du nez de pose, et donc le rechargement en fixations.

Zum leichteren Magazinieren haben diese Mundstücke durch einen Drehring zu öffnende Mundstückschnäbel.

Equipaggiamento con l'aggiunta di una camma per facilitare e rendere più veloce l'apertura della testata e pertanto la procedura di ricarica dell'astuccio portarivetti.

Boquillas que incorporan una leva para facilitar y hacer más rápida la apertura de la boquilla y el procedimiento de carga.



Allows more penetration into applications.

Permet une pénétration supérieure dans les applications à accès limité.

Für tiefsitzende und eng an den Bauteilseiten anliegende Nietpunkte.

Consente una penetrazione maggiore nelle applicazioni con restrizioni di accesso.

Permite una mayor penetración en las aplicaciones con acceso limitado.

Type

- 1 - 7 Flat / Plat / Flach / Piatta / Plana
- 8 Tapered / Biseauté / Spitz / A punta / Conica
- 9 Universal / Universel / Für erhöhte Klammerkraft / Universale / concava
- 10 Recessed / En retrait / Spezial / Incassata / Apriete

ø nom.	Fastener Rivets Niettyp Rivetti Remaches	Nose Equipment Nez de pose Mundstück Testata Boquilla	Type	Part No.	Dimensions Dimension / Abmessungen Dimensioni / Dimensiones		
					B	D	E
3/32" (2.4)	Briv® / Chobert® / Grovit®	Standard	①	07150-03003	.36 (9.14)	1.30 (33.02)	.16 (4.06)
		Standard cam operated	②	07170-04500	.36 (9.14)	1.30 (33.02)	
		Limited access	③	07274-01000	.22 (5.59)	1.07 (27.18)	
		Limited access cam operated	④	07177-03003	.20 (5.08)	1.18 (29.97)	
		Standard tapered	⑤	07170-03103	.36 (9.14)	1.30 (33.02)	
1/8" (3.2)	Briv® / Chobert® / Grovit®	Standard	①	07150-03004	.41 (10.41)	1.18 (29.97)	.20 (5.08)
		Standard cam operated	②	07170-04600		1.18 (29.97)	
		Long	⑤	07150-04004		2.18 (55.37)	
		Long cam operated	⑥	07170-05000		2.18 (55.37)	
		Long curved	⑦	07150-05004		2.12 (53.85)	
		Standard tapered	⑧	07170-03104		1.19 (30.23)	
	Double Flush Chobert®	②	07537-03100	1.15 (29.07)	.23 (5.95)		
5/32" (4.0)	Briv® / Chobert® / Grovit®	Standard	①	07150-03005	.48 (12.19)	1.30 (33.02)	.24 (6.10)
		Standard cam operated	②	07170-04700		1.30 (33.02)	
		Long	⑤	07150-04005		2.30 (58.42)	
		Long cam operated	⑥	07170-05100		2.30 (58.42)	
		Long curved	⑦	07150-05005		2.23 (56.64)	
	Chobert® / Grovit®	⑧	07150-03105	.44 (11.18)	1.30 (33.02)		
3/16" (4.8)	Briv® / Chobert® / Grovit®	Standard	①	07150-03006	.56 (14.22)	1.18 (29.97)	.33 (8.38)
		Standard cam operated	②	07170-04800		1.18 (29.97)	
		Long	⑤	07150-04006		2.30 (58.42)	
		Long cam operated	⑥	07170-05200		2.30 (58.42)	
	Chobert® / Grovit®	⑦	07150-05006	2.21 (56.13)			
6.0 mm	Briv®	Standard	①	07170-05800	.64 (16.33)	1.21 (30.65)	.52 (13.14)
		Standard cam operated	②	07170-05600		1.21 (30.65)	
		Long	⑤	07170-05900		2.19 (55.65)	
		Long cam operated	⑥	07170-05700		2.19 (55.65)	
1/4" (6.4)	Chobert®	Standard	①	07150-03008	.64 (16.26)	1.18 (29.97)	.39 (9.91)
		Standard cam operated	②	07170-04900		1.18 (29.97)	
		Long	⑤	07150-04008		2.18 (55.37)	
		Long cam operated	⑥	07170-05300		2.18 (55.37)	

Head forming Nose Equipment / a formage de tête / kopfformend / a formatura di testa / tipo de boquilla

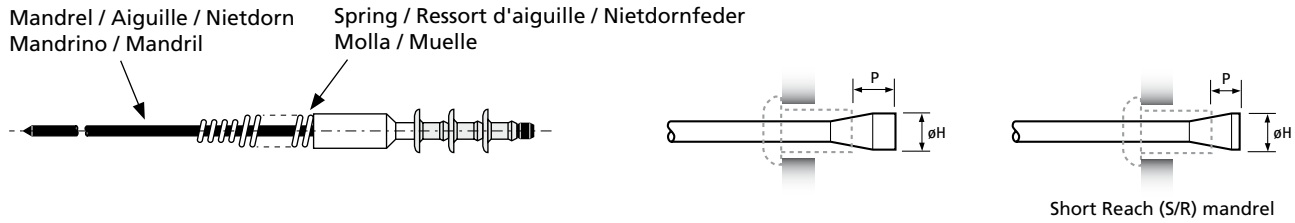
3/32" (2.4)	Briv® 1)	Standard	⑨	07150-03203	.36 (9.14)	1.33 (33.78)	.24 (6.60)
1/8" (3.2)			⑩	07170-03004	.41 (10.41)	1.20 (30.48)	.30 (7.62)
5/32" (4.0)			⑨	07150-03204		1.22 (30.99)	.32 (7.69)
3/16" (4.8)			⑩	07170-03005	.48 (12.19)	1.32 (33.53)	.41 (10.41)
			⑨	07150-03205		1.35 (34.29)	
					⑩	07170-03006	.56 (14.22)
			⑨	07150-03206	1.24 (31.50)		

dimensions in inch and (mm) / en pouces et (millimètre) / alle Maße in Zoll und (mm) / in pollici e (millimetri) / en pulgadas y (milímetros)

1) except stainless steel and countersunk / sauf inox et tête fraisée / außer Edelstahl und Senkkopf / eccetto acciaio inox e testa svasata / excepto acero inoxidable y cabeza avellanada

⑨ maximises clench but reduces grip range by approx. .015" (0.4) / obtenir le plus fort serrage possible, mais la prise maximum se trouve réduite d'environ .015" (0.4) / maximierte Klammerkraft bei Verringerung des Klemmbereiches um ca. .015" (0.4) / ottiene la ribaditura più alta possibile, ma la distanza massima tra i centri dei rivetti viene ridotta di circa .015" (0.4) / se alcanza un máximo apriete en la fijación, pero el espesor máximo se reduce en aproximadamente .015" (0.4).

⑩ increases clench without affecting grip range / Augmente le sertissage sans influencer l'épaisseur / erhöhte Klammerkraft bei gleichem Klemmbereich / aumenta la ribaditura (la presa di rivettatura) senza compromettere lo spessore / incrementa el apriete sin afectar al rango de espesores a remachar

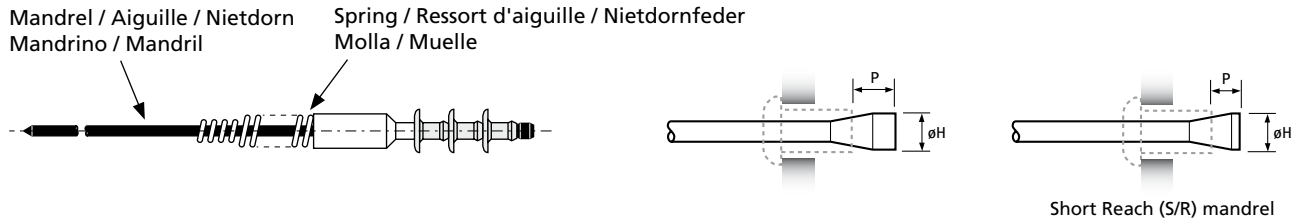


ø nom.	[Color Chart]	Description Beschreibung Descrizione Descripción	ø H	P max.	P S/R max.	Standard Nose Equipment Nez de pose Standard Standard-Mundstück Testata Standard Boquilla Estándar		Long Nose Equipment Nez de pose Long Langes Mundstück Testata Lunga Boquilla Larga	
						Mandrel ¹⁾ Part No.	Spring Part No.	Mandrel ³⁾ Part No.	Spring Part No.
3/32" (2.4) Brass, Aluminum	as rec.	Standard green	.0725 (1.84)	.166 (4.22)	.071 (1.80)	07150-06003	07150-06803 ²⁾	07150-07003	07150-07803
	+ .0015 (0.04)	1. oversize yellow	.074 (1.88)	.174 (4.42)	.078 (1.98)	07150-06303 ¹⁾		S/R only =07150-09103	
	+ .0035 (0.09)	2. oversize blue	.076 (1.93)	.185 (4.70)	N/A	07150-06103		07150-07103	
1/8" (3.2) Aluminum Steel, Brass Chobert® / Grovit®	as rec.	Standard green	.088 (2.24)	.216 (5.49)	.090 (2.29)	07150-06004	07150-06804	07150-07004	07150-07804
	+ .004 (0.10)	1. oversize yellow	.092 (2.34)	.237 (6.02)	.098 (2.49)	07150-06104		07150-07104	
	+ .010 (0.25)	2. oversize blue	.098 (2.49)	.268 (6.81)	.110 (2.79)	07150-06204		07150-07204	
	+ .014 (0.35)	3. oversize red	.102 (2.59)	.288 (7.32)	.118 (3.00)	07150-06304		07150-07304	
1/8" (3.2) Double Flush Chobert®	as rec.	Standard green	.088 (2.24)	N/A	.090 (2.29)	07150-08004	07271-06630	N/A	N/A
	+ .004 (0.10)	1. oversize yellow	.092 (2.34)	N/A	.098 (2.49)	07150-08104			
	+ .010 (0.25)	2. oversize blue	.098 (2.49)	N/A	.110 (2.79)	07150-08204			

dimensions in inch and (mm) / en pouces et (millimètre) / alle Maße in Zoll und (mm) / in pollici e (millimetri) / en pulgadas y (milímetros)

- For S/R mandrel substitute 6 with 8 (07150-06xxx => 07150-08xxx), exception: 07150-06303 becomes 07150-08103.
Pour aiguille S/R remplacer 6 par 8 (07150-06xxx => 07150-08xxx), exception: 07150-06303 change à 07150-08103.
Für S/R Nietdorn ersetzen Sie 6 durch 8 (07150-06xxx => 07150-08xxx), Ausnahme: 07150-06303 wird zu 07150-08103.
Per mandrino S/R sostituire 6 con 8 (07150-06xxx => 07150-08xxx), eccezione: 07150-06303 cambia 07150-08103.
Con mandril cono corto S/R cambiar 6 por 8 (07150-06xxx => 07150-08xxx), excepción: 07150-06303 cambia a 07150-08103.
- For use with standard flat nose piece. Tapered nose piece uses spring 07170-06873 and limited access nose piece uses 07170-06903.
Pour utilisation avec nez de pose standard. Avec le nez de pose biseauté utilisez le ressort d'aiguille 07170-06873 et avec le nez de pose en retrait utilisez le 07170-06903.
Für Verwendung mit Standard Mundstück flach. Bei spitzem Mundstück verwenden Sie Feder 07170-06873, bei abgesetztem Mundstück Feder 07170-06903.
Per uso con nasello standard a filo. Con nasello a punta usate molle 07170-06873 e con nasello incassata usate molle 07170-06903.
Para uso con boquilla estándar plana. Con boquilla cónica utilizar muelle 07170-06873 y con boquilla de acceso limitado utilizar 07170-06903.
- For S/R mandrel substitute 7 with 9 (07150-07xxx => 07150-09xxx)
Pour aiguille S/R remplacer 7 par 9 (07150-07xxx => 07150-09xxx)
Für S/R Nietdorn ersetzen Sie 7 durch 9 (07150-07xxx => 07150-09xxx)
Per mandrino S/R sostituire 7 con 9 (07150-07xxx => 07150-09xxx)
Con mandril cono corto S/R cambiar 7 por 9 (07150-07xxx => 07150-09xxx)

English	Français	Deutsch	Italiano	Español
Aluminum	Aluminium	Aluminium	Alluminio	Aluminio
Brass	Laiton	Kupfer-Zink Leg.	Ottone	Latón
Steel	Acier	Stahl	Acciaio	Acero
Stainless Steel	Inox	Edelstahl	Acciaio inox	Acero inoxidable
Standard green	Standard verte	Standard grün	Standard verde	Estándar verde
1. oversize yellow	1. surdimensionnée jaune	1. Übermaß gelb	1. maggiorazione giallo	1. sobremedida amarillo
2. oversize blue	2. surdimensionnée bleue	2. Übermaß blau	2. maggiorazione blu	2. sobremedida azul
3. oversize red	3. surdimensionnée rouge	3. Übermaß rot	3. maggiorazione rosso	3. sobremedida rojo



ø nom.	Description Beschreibung Descrizione Descripción	ø H	P max.	P S/R max.	Standard Nose Equipment Nez de pose Standard Standard-Mundstück Testata Standard Boquilla Estándar		Long Nose Equipment Nez de pose Long Langes Mundstück Testata Lunga Boquilla Larga		
					Mandrel ¹⁾ Part No.	Spring Part No.	Mandrel ³⁾ Part No.	Spring Part No.	
5/32" (4.0) Aluminum, Steel, Brass	as rec.	Standard green	.107 (2.72)	.244 (6.20)	.100 (2.54)	07150-06005		07150-07005	
	+ .008 (0.20)	1. oversize yellow	.115 (2.92)	.284 (7.21)	.116 (2.95)	07150-06105	07170-06875	07150-07105	07170-07875
	+ .015 (0.38)	2. oversize blue	.122 (3.10)	.320 (8.13)	.130 (3.30)	07150-06205		07150-07205	
	+ .025 (0.63)	3. oversize red	.132 (3.35)	.372 (9.45)	.150 (3.81)	07150-06305	07150-06805	07150-07305	07150-07805
3/16" (4.8) Aluminum Steel, Brass	as rec.	Standard green	.132 (3.35)	.247 (6.27)	.102 (2.59)	07150-06006		07150-07006	
	+ .014 (0.35)	1. oversize yellow	.146 (3.71)	.320 (8.13)	.130 (3.30)	07150-06106	07170-06876	07150-07106	07170-07876
	+ .024 (0.60)	2. oversize blue	.156 (3.96)	.372 (9.45)	.150 (3.81)	07150-06206	07150-06806	07150-07206	07150-07806
1/4" (6.4) Aluminum, Steel	as rec.	Standard green	.184 (4.67)	.268 (6.81)	.110 (2.79)	07150-06008		07150-07008	
	+ .012 (0.30)	1. oversize yellow	.196 (4.98)	.330 (8.38)	.134 (3.40)	07150-06108	07150-06808	07150-07108	07150-07808

dimensions in inch and (mm) / en pouces et (millimètre) / alle Maße in Zoll und (mm) / in pollici e (millimetri) / en pulgadas y (milímetros)

- 1) For S/R mandrel substitute 6 with 8 (07150-06xxx => 07150-08xxx), exception: 07150-06303 becomes 07150-08103.
Pour aiguille S/R remplacer 6 par 8 (07150-06xxx => 07150-08xxx), exception: 07150-06303 change à 07150-08103.
Für S/R Nietdorn ersetzen Sie 6 durch 8 (07150-06xxx => 07150-08xxx), Ausnahme: 07150-06303 wird zu 07150-08103.
Per mandrino S/R sostituire 6 con 8 (07150-06xxx => 07150-08xxx), eccezione: 07150-06303 cambia 07150-08103.
Con mandril cono corto S/R cambiar 6 por 8 (07150-06xxx => 07150-08xxx), excepción: 07150-06303 cambia a 07150-08103.
- 3) For S/R mandrel substitute 7 with 9 (07150-07xxx => 07150-09xxx)
Pour aiguille S/R remplacer 7 par 9 (07150-07xxx => 07150-09xxx)
Für S/R Nietdorn ersetzen Sie 7 durch 9 (07150-07xxx => 07150-09xxx)
Per mandrino S/R sostituire 7 con 9 (07150-07xxx => 07150-09xxx)
Con mandril cono corto S/R cambiar 7 por 9 (07150-07xxx => 07150-09xxx)

English	Français	Deutsch	Italiano	Español
Aluminum	Aluminium	Aluminium	Alluminio	Aluminio
Brass	Laiton	Kupfer-Zink Leg.	Ottone	Latón
Steel	Acier	Stahl	Acciaio	Acero
Stainless Steel	Inox	Edelstahl	Acciaio inox	Acero inoxidable
Standard green	Standard verte	Standard grün	Standard verde	Estándar verde
1. oversize yellow	1. surdimensionnée jaune	1. Übermaß gelb	1. maggiorazione giallo	1. sobremedida amarillo
2. oversize blue	2. surdimensionnée bleue	2. Übermaß blau	2. maggiorazione blu	2. sobremedida azul
3. oversize red	3. surdimensionnée rouge	3. Übermaß rot	3. maggiorazione rosso	3. sobremedida rojo