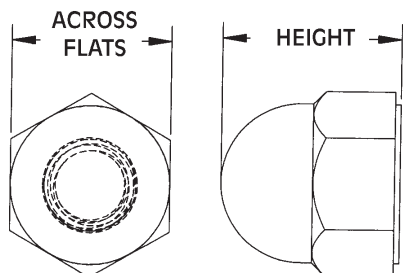


UNIVERSAL NUTS

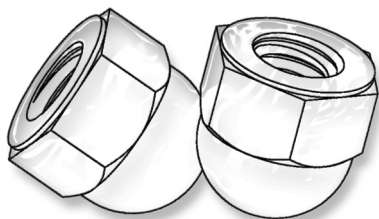
STOCKED IN NYLON 6/6 UL 94V2 - CAN BE FURNISHED IN ACETAL

SECTION III

**-METRIC Sizes
Also Available**
Page 273



**New
SIZES**



Similar to our standard cap nut, except with a molded-in locking thread. Use for applications which require higher torque, vibration resistance or a more secure assembly.

CAP NUTS

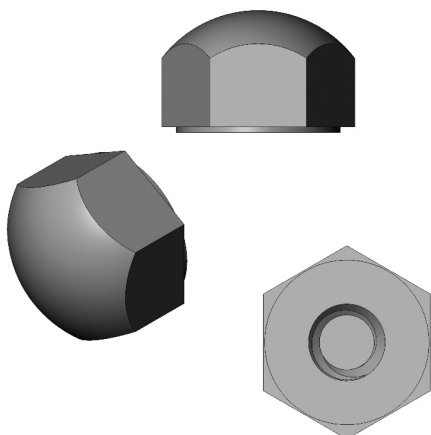
Molded in **Natural Nylon 6/6**

ITEM NUMBER	SCREW SIZE	THREAD	ACROSS FLATS	HEIGHT * REF.
0500440CN	4	440	.250 (6,35)	.280 (7,11)
0500632CN	6	632	.305 (7,75)	.345 (8,76)
0500832CN	8	832	.330 (8,38)	.375 (9,53)
0501024CN	10	1024	.365 (9,27)	.400 (10,16)
0501032CN	10	1032	.365 (9,27)	.400 (10,16)
0525018CN	1/4	1/4-18	.750 (19,05)	.810 (20,57)
0525020CN	1/4	1/4-20	.425 (10,80)	.475 (12,07)
0525028CN	1/4	1/4-28	.425 (10,80)	.475 (12,07)
0531218CN	5/16	5/16-18	.500 (12,70)	.530 (13,46)
0531224CN	5/16	5/16-24	.500 (12,70)	.530 (13,46)
0537516CN	3/8	3/8-16	.565 (14,35)	.620 (15,74)
0537524CN	3/8	3/8-24	.565 (14,35)	.620 (15,74)
0537532CN	3/8	3/8-32	.565 (14,35)	.620 (15,74)
0543714CN	7/16	7/16-14	.750 (19,05)	.810 (20,57)
0550013CN	1/2	1/2-13	.750 (19,05)	.810 (20,57)
0550020CN	1/2	1/2-20	.750 (19,05)	.810 (20,57)
0562511CN	5/8	5/8-11	.935 (23,75)	.970 (24,64)

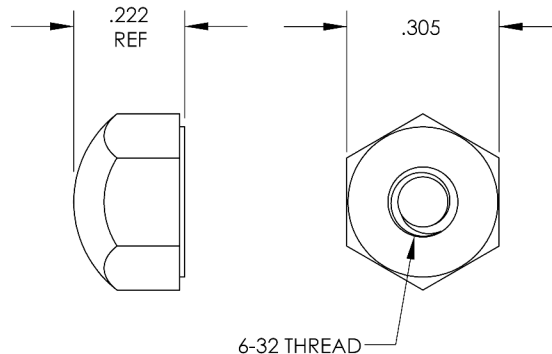
LOCKING CAP NUTS

Molded in **Natural Nylon 6/6**

ITEM NUMBER	SCREW SIZE	THREAD	ACROSS FLATS	HEIGHT * REF.
0500440LCN	4	440	.250 (6,35)	.280 (7,11)
0500632LCN	6	632	.305 (7,75)	.345 (8,76)
0500832LCN	8	832	.330 (8,38)	.375 (9,53)
0501024LCN	10	1024	.365 (9,27)	.400 (10,16)
0501032LCN	10	1032	.365 (9,27)	.400 (10,16)
0525020LCN	1/4	1/4-20	.425 (10,80)	.475 (12,07)
0531218LCN	5/16	5/16-18	.500 (12,70)	.530 (13,46)
0537516LCN	3/8	3/8-16	.565 (14,35)	.620 (15,74)



**New
Product
Line**



LOW PROFILE LOCKING CAP NUTS

Molded in **Natural Nylon 6/6**

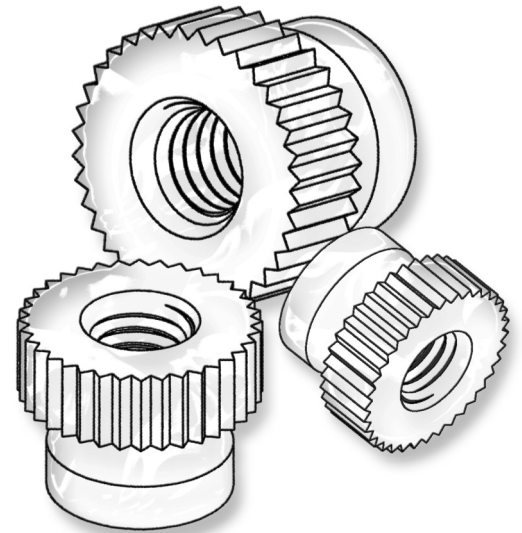
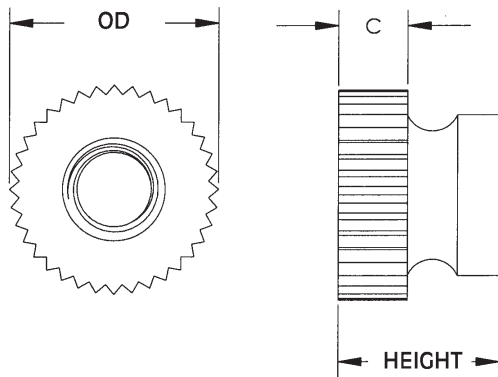
ITEM NUMBER	SCREW SIZE	THREAD	ACROSS FLATS	HEIGHT * REF.
0500632CNSP	6	632	.305 (7,45)	.222 (5,64)

UNIVERSAL NUTS

SECTION



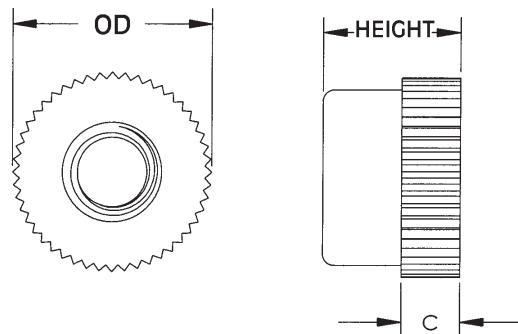
STOCKED IN NYLON 6/6 UL 94V2 - CAN BE FURNISHED IN ACETAL



KNURLED THUMB NUTS

Molded in **Natural Nylon 6/6**

ITEM NUMBER	SCREW SIZE	THREAD	OD	HEIGHT	C
0800440TN	4	440	.300 (7,62)	.280 (7,11)	.125 (3,18)
0800632TN	6	632	.360 (9,14)	.275 (6,99)	.125 (3,18)
0800832TN	8	832	.425 (10,80)	.305 (7,75)	.140 (3,56)
0801024TN	10	1024	.425 (10,80)	.325 (8,26)	.140 (3,56)
0801032TN	10	1032	.425 (10,80)	.325 (8,26)	.140 (3,56)
0825020TN	1/4	1/4-20	.540 (13,72)	.365 (9,27)	.155 (3,94)
0831218TN	5/16	5/16-18	.612 (15,54)	.400 (10,16)	.170 (4,33)
0831224TN	5/16	5/16-24	.612 (15,54)	.400 (10,16)	.170 (4,33)



METRIC Sizes
Also Available

Page 274



KNURLED THUMB NUTS "A"

Molded in **Natural Nylon 6/6**

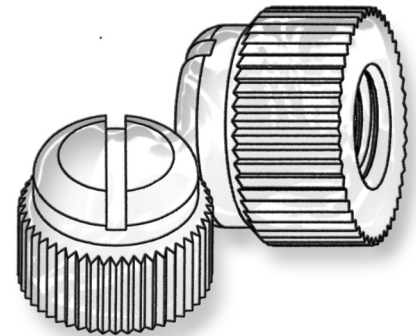
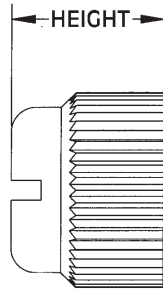
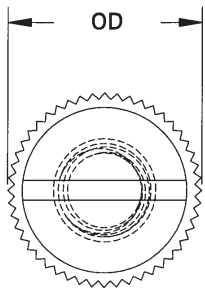
ITEM NUMBER	SCREW SIZE	THREAD	OD	HEIGHT	C
0800440TNA	4	440	.300 (7,62)	.280 (7,11)	.120 (3,05)
0800632TNA	6	632	.360 (9,14)	.275 (6,99)	.125 (3,18)
0800832TNA	8	832	.425 (10,80)	.305 (7,75)	.140 (3,56)
0801024TNA	10	1024	.425 (10,80)	.325 (8,26)	.140 (3,56)
0801032TNA	10	1032	.425 (10,80)	.325 (8,26)	.140 (3,56)
0825020TNA	1/4	1/4-20	.540 (13,72)	.365 (9,27)	.155 (3,94)
0831218TNA	5/16	5/16-18	.615 (15,62)	.385 (9,78)	.171 (4,34)
0837516TNA	3/8	3/8-16	.687 (17,45)	.430 (10,92)	.187 (4,75)
0850013TNA	1/2	1/2-13	.750 (19,05)	.468 (11,89)	.203 (5,16)



UNIVERSAL NUTS

STOCKED IN NYLON 6/6 UL 94V2 - CAN BE FURNISHED IN ACETAL

SECTION



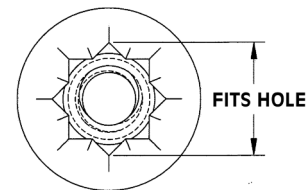
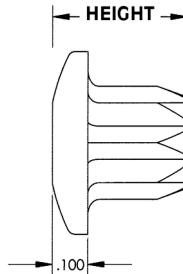
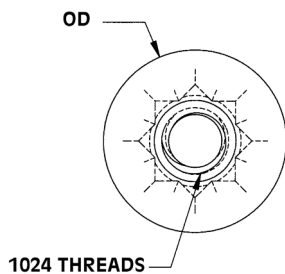
SLOTTED THUMB NUTS

Molded in Natural Nylon 6/6

ITEM NUMBER	SCREW SIZE	THREAD	OD	HEIGHT
0500440SCN	4	440	.317 (8,05)	.295 (7,49)
0500632SCN	6	632	.348 (8,84)	.334 (8,48)
0500832SCN	8	832	.381 (9,68)	.378 (9,60)
0501024SCN	10	1024	.400 (10,16)	23/64 (9,12)
0501032SCN	10	1032	.400 (10,16)	23/64 (9,12)
0525020SCN	1/4	1/4-20	.478 (12,14)	.370 (9,40)

SPLINED PANEL NUT

Molded in Natural Nylon 6/6 and Transparent Polycarbonate



NYLON

Watch Instructional Video
[mms://www.microplastics.com/productvideos/SplinedPanelNut.asf](https://www.microplastics.com/productvideos/SplinedPanelNut.asf)



POLYCARBONATE
Transparent

ITEM NUMBER	SCREW SIZE	THREAD	MATERIAL	OD	HEIGHT	FITS HOLE
091024SPNN	10	1024	NYLON	33/64 (13,08)	25/64 (9,92)	.281 (7,14)
091024SPNP	10	1024	POLYCARBONATE	33/64 (13,08)	25/64 (9,92)	.290 (7,37)

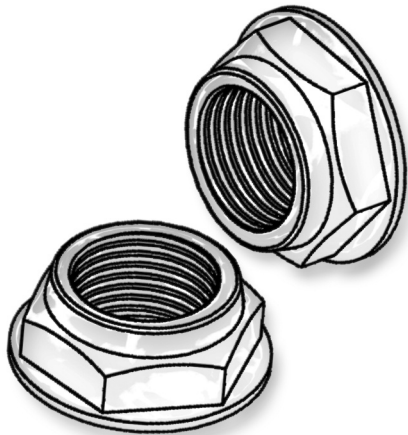


UNIVERSAL NUTS

SECTION

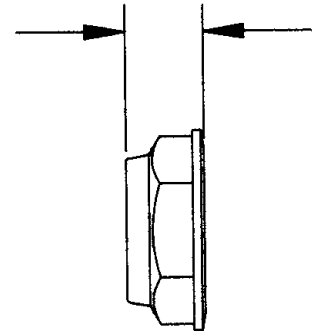
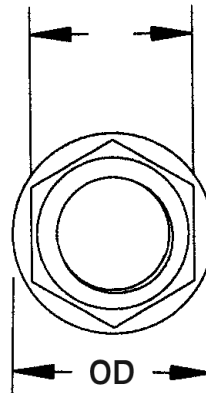


STOCKED IN NYLON 6/6 UL 94V2 - CAN BE FURNISHED IN ACETAL



ACROSS FLATS

HEIGHT



Micro Plastics' Dress Nut is molded in non-conductive and chemical resistant Nylon 6/6. The aesthetic contour of the nut includes a washer base that gives a finished look to panel fronts.

DRESS NUT

Molded in **Natural Nylon 6/6**

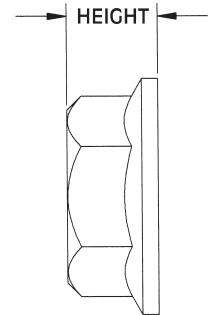
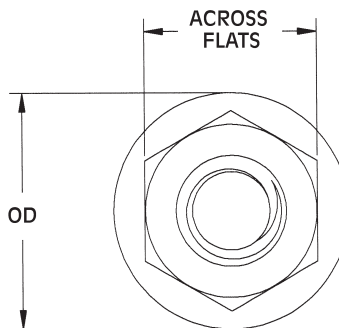
ITEM NUMBER	SCREW SIZE	THREAD	OD	ACROSS FLATS	HEIGHT
0437532HDN	3/8	3/8-32	.615 (15,62)	.500 (12,70)	.245 (6,22)

METRIC Sizes
Also Available

Page 274



New
SIZES



Nylon Hex Flange nuts can be used where additional contact area is required. Eliminates the use of a washer in some applications.

HEX FLANGE NUT

Molded in **Natural Nylon 6/6**

ITEM NUMBER	SCREW SIZE	THREAD	OD	ACROSS FLATS	HEIGHT
0401032HFN	10	1032	.492 (12,50)	.364 (9,27)	.208 (5,28)
0425020HFN	1/4	1/4-20	.582 (14,78)	.428 (10,87)	.226 (5,74)
0425028HFN	1/4	1/4-28	.582 (14,78)	.428 (10,87)	.226 (5,74)
0462511HFN	5/8	5/8-11	1.265 (32,13)	.930 (23,62)	.557 (14,14)



UNIVERSAL NUTS

STOCKED IN NYLON 6/6 UL 94V2 - CAN BE FURNISHED IN ACETAL

SECTION

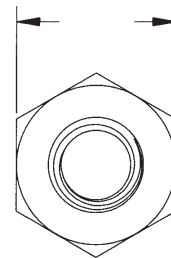


HEX JAM NUTS

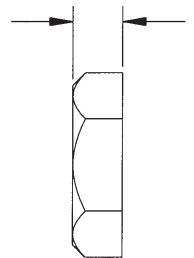
Molded in **Natural Nylon 6/6**

ITEM NUMBER	SCREW SIZE	THREAD		ACROSS FLATS	HEIGHT
0431218HJN	5/16	5/16-18	Jam Nut	.500 (12,70)	.190 (4,83)
0431224HJN	5/16	5/16-24	Jam Nut	.500 (12,70)	.190 (4,83)
0437516HJN	3/8	3/8-16	Jam Nut	.500 (12,70)	.125 (3,18)
0437524HJN	3/8	3/8-24	Jam Nut	.500 (12,70)	.125 (3,18)
0437532HJN	3/8	3/8-32	Jam Nut	.500 (12,70)	.125 (3,18)
0437516HHJN	3/8	3/8-16	Jam Nut	.670 (17,02)	7/32 (5,56)
0443714HJN	7/16	7/16-14	Jam Nut	.687 (17,45)	.375 (9,53)
0443720HJN	7/16	7/16-20	Jam Nut	.687 (17,45)	.250 (6,35)
0446832HJN	15/32	15/32-32	Jam Nut	.625 (15,88)	.125 (3,18)
0450013HJN	1/2	1/2-13	Jam Nut	.687 (17,45)	.220 (5,59)
0450020HJN	1/2	1/2-20	Jam Nut	.687 (17,45)	.220 (5,59)
0450024HJN	1/2	1/2-24	Jam Nut	.687 (17,45)	.220 (5,59)
0450028HJN	1/2	1/2-28	Jam Nut	.660 (16,76)	.125 (3,18)
0456218HJN	9/16	9/16-18	Jam Nut	.750 (19,05)	.250 (6,35)
0456224HJN	9/16	9/16-24	Jam Nut	.750 (19,05)	.250 (6,35)
0462511HJN	5/8	5/8-11	Jam Nut	.937 (23,80)	.375 (9,53)
0462518HJN	5/8	5/8-18	Jam Nut	.937 (23,80)	.375 (9,53)
0475010HJN	3/4	3/4-10	Jam Nut	1.12 (28,50)	.250 (6,35)
0475016HJN	3/4	3/4-16	Jam Nut	1.12 (28,50)	.250 (6,35)
0475027HJN	3/4	3/4-27	Jam Nut	1.00 (25,40)	.125 (3,18)
0487514HJN	7/8	7/8-14	Jam Nut	1.25 (31,75)	.340 (8,64)
0487520HJN	7/8	7/8-20	Jam Nut	1.000 (25,40)	.125 (3,18)
0410008HJN	1	1-8	Jam Nut	1.48 (37,59)	.410 (10,41)
0412527PJN	1/8	1/8-27	Jam Nut NPT	.56 (14,22)	.11 (2,79)
0425018PJN	1/4	1/4-18	Jam Nut NPT	.740 (18,80)	.187 (4,75)
0437518PJN	3/8	3/8-18	Jam Nut NPT	1.00 (25,40)	.280 (7,11)
0450014PJN	1/2	1/2-14	Jam Nut NPT	1.25 (31,75)	.340 (8,64)
0475014PJN	3/4	3/4-14	Jam Nut NPT	1.48 (37,59)	.410 (10,41)
0475014SJN	3/4	3/4-14	Jam Nut NPS	1.48 (37,59)	.410 (10,41)
0425018SJN	1/4	1/4-18	Jam Nut NPS	.687 (17,45)	.225 (5,72)
0437518SJN	3/8	3/8-18	Jam Nut NPS	1.00 (25,40)	.280 (7,11)
0450014SJN	1/2	1/2-14	Jam Nut NPS	1.25 (31,75)	.340 (8,64)

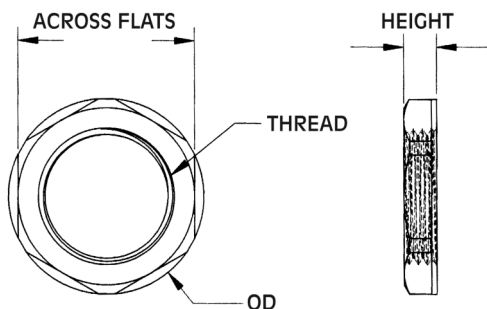
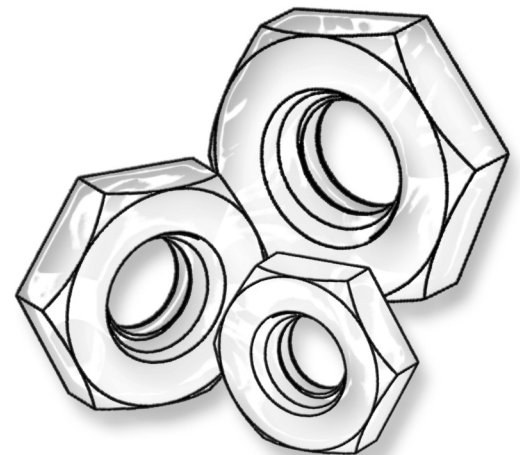
ACROSS FLATS



HEIGHT



New SIZES



HEX JAM NUTS WITH WASHER FACE

Molded in **Natural Nylon 6/6**

ITEM NUMBER	SCREW SIZE	THREAD		ACROSS FLATS	OD	HEIGHT
0410011PJN	1	1-11-1/2	Hex Jam Nut NPT	1 21/32 (42,06)	1 27/32 (46,84)	5/16 (7,94)
0412511PJN	1	1 1/4-11-1/2	Hex Jam Nut NPT	2 1/8 (53,98)	2 11/32 (59,54)	3/8 (9,53)



UNIVERSAL NUTS

SECTION

III

STOCKED IN NYLON 6/6 UL 94V2 - CAN BE FURNISHED IN ACETAL

METRIC Sizes
Also Available

Page 273



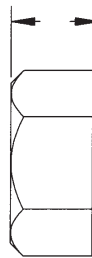
HEX NUT

Molded in Natural Nylon 6/6

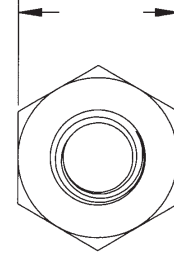
ITEM NUMBER	SCREW SIZE	THREAD	ACROSS FLATS	HEIGHT
0400256HN	2	256	.180 (4,57)	.070 (1,78)
0400348HN	3	348	.180 (4,57)	.070 (1,78)
0400440HN	4	440	.250 (6,35)	.100 (2,54)
0400632HN	6	632	.305 (7,75)	.120 (3,05)
0400640HN	6	640	.305 (7,75)	.120 (3,05)
0400832HN	8	832	.335 (8,51)	.130 (3,30)
0401024HN	10	1024	.365 (9,27)	.135 (3,43)
0401032HN	10	1032	.365 (9,27)	.135 (3,43)
0401224HN	12	1224	.425 (10,80)	.207 (5,26)
* 0425020HN	1/4	1/4-20	.425 (10,80)	.235 (5,97)
* 0425028HN	1/4	1/4-28	.425 (10,80)	.235 (5,97)
0431218HN	5/16	5/16-18	.500 (12,70)	.270 (6,86)
0431224HN	5/16	5/16-24	.500 (12,70)	.270 (6,86)
0437516HN	3/8	3/8-16	.560 (14,22)	.330 (8,38)
0437524HN	3/8	3/8-24	.560 (14,22)	.330 (8,38)
0437532HN	3/8	3/8-32	.560 (14,22)	.330 (8,38)
0443714HN	7/16	7/16-14	.685 (17,40)	.380 (9,65)
0443720HN	7/16	7/16-20	.685 (17,40)	.380 (9,65)
0450013HN	1/2	1/2-13	.750 (19,05)	.430 (10,92)
* 0450020HN	1/2	1/2-20	.750 (19,05)	.430 (10,92)
0462511HN	5/8	5/8-11	.925 (23,40)	.550 (13,97)
0462518HN	5/8	5/8-18	.925 (23,50)	.550 (13,97)
0468727HN	11/16	11/16-27	1.00 (25,40)	.250 (6,35)
0475010HN	3/4	3/4-10	1.10 (27,94)	.640 (16,26)
0487509HN	7/8	7/8-9	1.28 (32,51)	.750 (19,05)
0410008HN	1	1-8	1.48 (37,34)	.870 (22,10)

* PARTS MEASURE TO IFI SPECIFICATIONS

HEIGHT



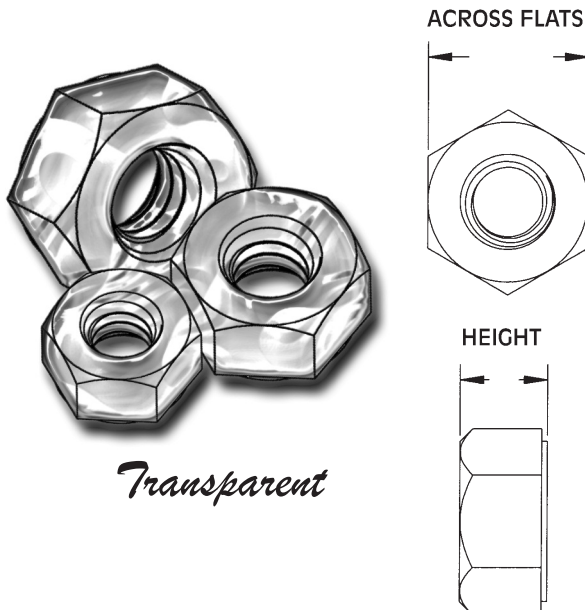
ACROSS FLATS



SPECIAL HEX NUTS

Molded in Natural Nylon 6/6

ITEM NUMBER	SCREW SIZE	THREAD	ACROSS FLATS	HEIGHT
0400256HNS	2	256	.180 (4,57)	.090 (2,29)
0400440HNS	4	440	.250 (6,35)	.124 (3,15)
0400632HNS	6	632	.305 (7,75)	.146 (3,71)
0400832HNS	8	832	.340 (8,64)	.170 (4,32)
0401024HNS	10	1024	.365 (9,27)	.196 (4,98)
0401032HNS	10	1032	.365 (9,37)	.196 (4,98)
0425020HNS	1/4	1/4-20	.425 (10,80)	.258 (6,55)



Transparent

POLYCARBONATE HEX NUTS

Molded in Transparent Polycarbonate

Micro Plastics' Polycarbonate Hex Nuts can be used with our Polycarbonate Screws to produce a transparent fastening. Polycarbonate properties are not affected by water absorption and have better impact and deflection temperature than Nylon.

ITEM NUMBER	SCREW SIZE	THREAD	ACROSS FLATS	HEIGHT
0400440HNPC	4	440	.250 (6,35)	.100 (2,54)
0400632HNPC	6	632	.305 (7,75)	.120 (3,05)
0400832HNPC	8	832	.335 (8,51)	.130 (3,30)
0401032HNPC	10	1032	.365 (9,27)	.135 (3,43)



UNIVERSAL NUTS

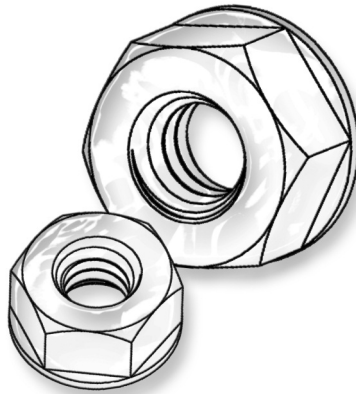
STOCKED IN NYLON 6/6 UL 94V2 - CAN BE FURNISHED IN ACETAL

SECTION



**METRIC Sizes
Also Available**

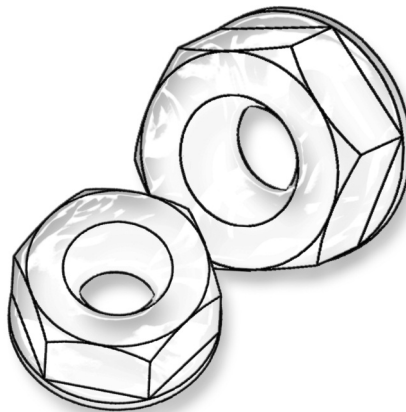
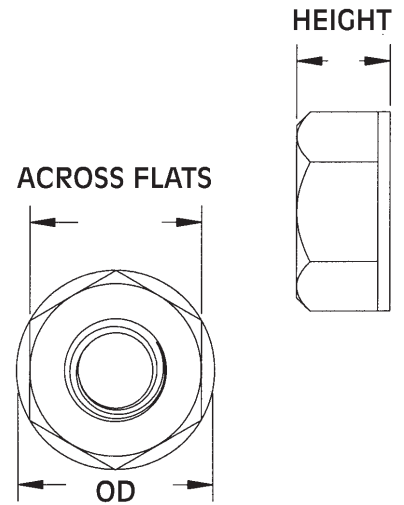
Page 273



LOCK NUTS

Molded in **Natural Nylon 6/6**
DESIGNED FOR STEEL SCREWS

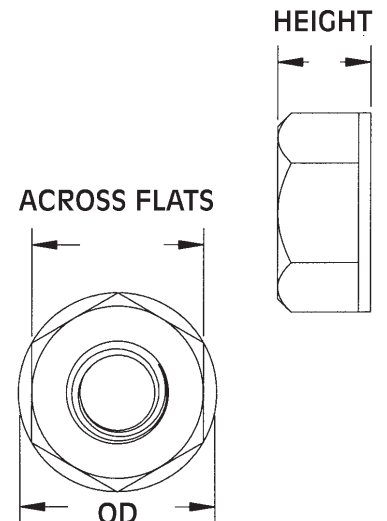
ITEM NUMBER	SCREW SIZE	THREAD	ACROSS FLATS	HEIGHT	OD
0700256LN	2	256	.180 (4,57)	.140 (3,56)	.205 (5,21)
0700440LN	4	440	.250 (6,35)	.180 (4,57)	.285 (7,24)
0700632LN	6	632	.305 (7,75)	.200 (5,08)	.350 (8,89)
0700832LN	8	832	.335 (8,51)	.230 (5,84)	.385 (9,78)
0701024LN	10	1024	.365 (9,27)	.250 (6,35)	.425 (10,80)
0701032LN	10	1032	.365 (9,27)	.250 (6,35)	.425 (10,80)
0725020LN	1/4	1/4-20	.425 (10,80)	.275 (6,99)	.510 (12,95)
0725028LN	1/4	1/4-28	.425 (10,80)	.275 (6,99)	.510 (12,95)



SELF - THREADING LOCK NUTS

Molded in **Natural Nylon 6/6**
DESIGNED FOR STEEL SCREWS

ITEM NUMBER	SCREW SIZE	ACROSS FLATS	HEIGHT	OD
0700256SLN	256	.180 (4,57)	.140 (3,56)	.205 (5,21)
0700440SLN	440	.250 (6,35)	.200 (5,08)	.285 (7,24)
0700632SLN	632	.305 (7,75)	.200 (5,08)	.350 (8,89)
0700832SLN	832	.335 (8,51)	.230 (5,84)	.385 (9,78)
0701024SLN	1024	.365 (9,27)	.250 (6,35)	.425 (10,80)
0701032SLN	1032	.365 (9,27)	.250 (6,35)	.425 (10,80)
0725020SLN	1/4-20	.425 (10,80)	.275 (6,99)	.510 (12,95)



UNIVERSAL NUTS

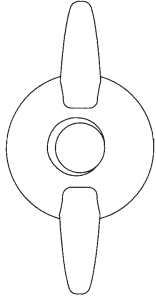
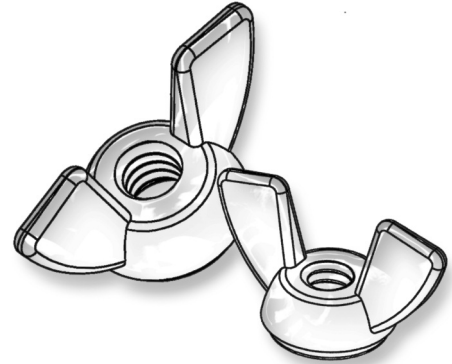
SECTION

III

STOCKED IN NYLON 6/6 UL 94V2 - CAN BE FURNISHED IN ACETAL

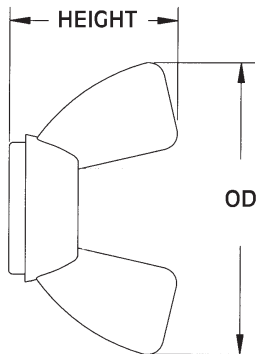
METRIC Sizes
Also Available

Page 275

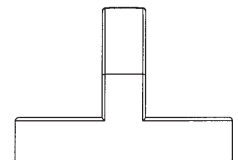
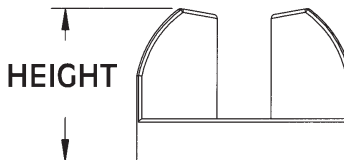
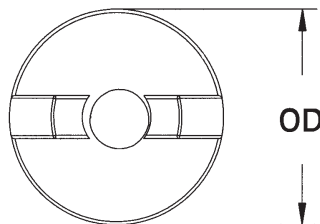


WING NUTS

Molded in Natural Nylon 6/6



ITEM NUMBER	SCREW SIZE	THREAD	OD *REF.	HEIGHT
0600440WN	4	440	.90 (22,86)	.48 (12,19)
0600632WN	6	632	.90 (22,86)	.48 (12,19)
0600832WN	8	832	.90 (22,86)	.48 (12,19)
0601024WN	10	1024	.90 (22,86)	.48 (12,19)
0601032WN	10	1032	.90 (22,86)	.48 (12,19)
0601024WNA	10	1024	1.09 (27,69)	.63 (16,00)
0601032WNA	10	1032	1.09 (27,69)	.63 (16,00)
0625020WNA	1/4	1/4-20	1.090 (27,69)	.63 (16,00)
0625028WNA	1/4	1/4-28	1.09 (27,69)	.63 (16,00)
0625020WN	1/4	1/4-20	1.36 (34,54)	.71 (18,03)
0625028WN	1/4	1/4-28	1.36 (34,54)	.71 (18,03)
0631218WN	5/16	5/16-18	1.37 (34,80)	.72 (18,29)
0637516WN	3/8	3/8-16	1.37 (34,80)	.72 (18,29)
0637524WN	3/8	3/8-24	1.37 (34,80)	.72 (18,29)
0643714WN	7/16	7/16-14	1.76 (44,70)	.90 (22,86)
0650013WN	1/2	1/2-13	1.76 (44,70)	.90 (22,86)
0656212WN	9/16	9/16-12	1.76 (44,70)	.90 (22,86)



MATERIAL: CLEAR COPOLYESTER

CAN BE USED WITH TRANSPARENT POLYCARBONATE SCREWS

CLEAR DECORATIVE WING NUT

Molded in Clear Copolyester



Transparent

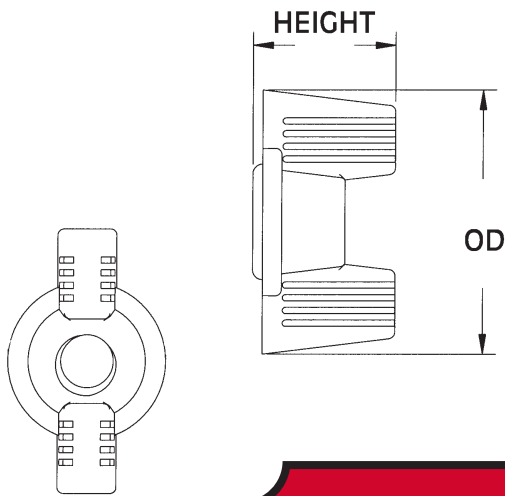
ITEM NUMBER	SCREW SIZE	THREAD	OD	HEIGHT
0600832WNC	8	832	5/8 (15,87)	29/64 (11,50)
0601024WNC	10	1024	5/8 (15,87)	29/64 (11,50)
0601032WNC	10	1032	5/8 (15,87)	29/64 (11,50)
0625020WNC	1/4	1/4-20	5/8 (15,87)	29/64 (11,50)



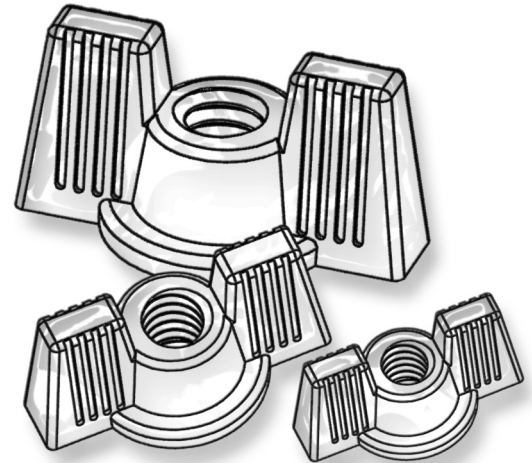
UNIVERSAL NUTS

STOCKED IN NYLON 6/6 UL 94V2 - CAN BE FURNISHED IN ACETAL

SECTION



**METRIC Sizes
Also Available**
Page 275



DECO WING NUTS

Molded in **Natural Nylon 6/6**

ITEM NUMBER	SCREW SIZE	THREAD	REF. OD	HEIGHT
0600440DECOWN	4	440	5/8" (15,88)	5/16" (7,94)
0600632DECOWN	6	632	5/8" (15,88)	5/16" (7,94)
0600832DECOWN	8	832	5/8" (15,88)	5/16" (7,94)
0601024DECOWN	10	1024	7/8" (22,23)	7/16" (11,10)
0601032DECOWN	10	1032	7/8" (22,23)	7/16" (11,10)
0625020DECOWN	1/4	1/4-20	1-11/64" (29,74)	17/32" (13,49)
0631218DECOWN *	5/16	5/16-18	1-9/16" (39,69)	29/64" (11,51)
0637516DECOWN *	3/8	3/8-16	1-9/16" (39,69)	29/64" (11,51)
0637524DECOWN *	3/8	3/8-24	1-9/16" (39,67)	29/64" (11,51)

* PART IS FLUSH ACROSS WINGS

LOCKING DECO WING NUTS

Molded in **Natural Nylon 6/6**

Similar to our standard wing nut, except with a molded-in locking thread. Use for applications which require higher torque, vibration resistance or a more secure assembly.

**METRIC Sizes
Also Available**
Page 275

ITEM NUMBER	SCREW SIZE	THREAD	REF. OD	HEIGHT
0600440DLWN	4	440	5/8" (15,88)	5/16" (7,94)
0600632DLWN	6	632	5/8" (15,88)	5/16" (7,94)
0600832DLWN	8	832	5/8" (15,88)	5/16" (7,94)
0601024DLWN	10	1024	7/8" (22,23)	7/16" (11,10)
0601032DLWN	10	1032	7/8" (22,23)	7/16" (11,10)
0625020DLWN	1/4	1/4-20	1-11/64" (29,74)	17/32" (13,49)
*0631218DLWN	5/16	5/16-18	1-9/16" (39,69)	29/64" (11,51)

*PART IS FLUSH ACROSS THE WINGS

