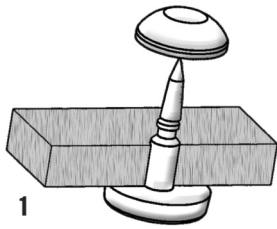


PANEL FASTENERS AND HOLE PLUGS

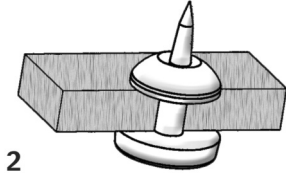
SECTION VI

SNAP TACKS

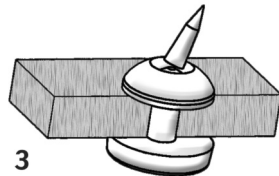


Micro Plastics' 2 piece snap tack consists of a male acetal tack and a female nylon button retainer. The tack has a sharp point for piercing soft materials that will not require a pre-punched hole.

Easily assembled by pushing the tack through the front of the soft material and pushing the retainer to the **second** detent - no tools required.



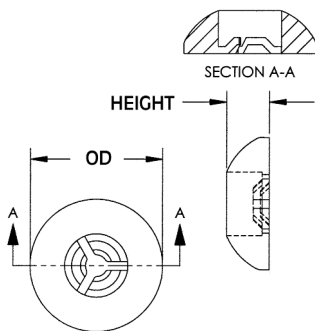
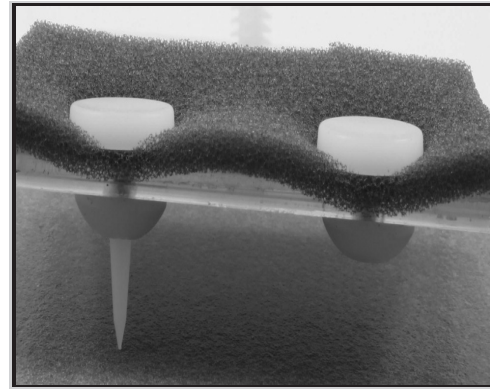
After assembly simply break off the pointed end and the remaining end is shielded by the retainer.



CAUTION the point is very sharp and can pierce your skin.

Watch Instructional Video

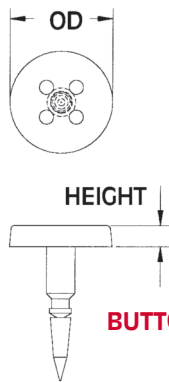
[mms://www.microplastics.com/productvideos/SnapTacks.asf](https://www.microplastics.com/productvideos/SnapTacks.asf)



FEMALE BUTTON



BUTTON MALE TACK



MALE TACK

ITEM NUMBER	DESCRIPTION	ITEM NUMBER	DESCRIPTION	OD	HEIGHT
27STF375	3/8" Female Button	27STMB430188	3/16" Button Male Tack	7/16"	3/32"
OD	3/8"	27STM430062	1/16" Male Tack	7/16"	3/32"
HEIGHT	1/8"	27STM430125	1/8" Male Tack	7/16"	3/32"
		27STM430188	3/16" Male Tack	7/16"	3/32"



PANEL FASTENERS AND HOLE PLUGS

SECTION
VI

DOMED AND TACK

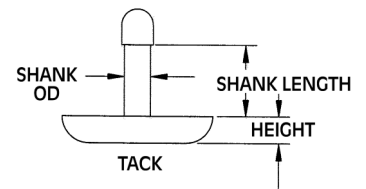
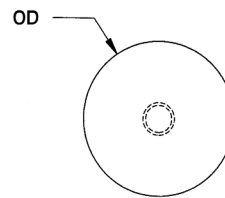
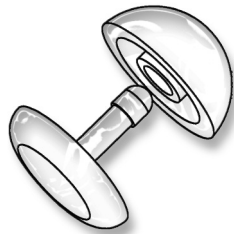
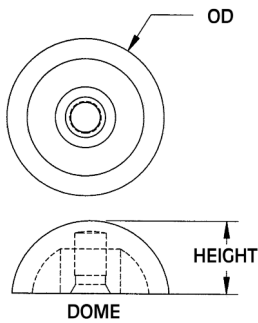
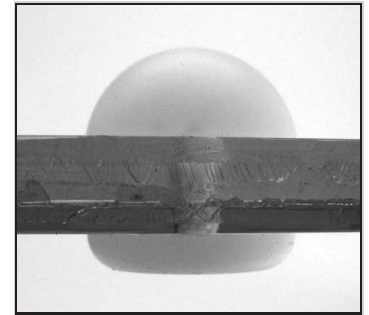
Molded in **Natural Nylon 6/6**

Watch Instructional Video

[mms://www.microplastics.com/productvideos/DomeAndTack.asf](https://www.microplastics.com/productvideos/DomeAndTack.asf)

Micro Plastics' two piece dome and tack molded nylon fastener has the locking mechanism totally enclosed to prevent tampering. No exterior sharp edges after part is assembled.

"The dome and tack was originally made for and can be used to make the sea-band type of anti nausea bracelets or bands that are worn around the wrist to prevent motion sickness or nausea. The dome is designed to contact the acupuncture point on the wrist. The tack pierces the fabric and holds the dome on the inside of the bracelet or band. Can also be used for a variety of thin-panel fastening applications."



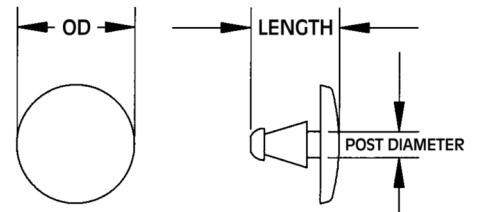
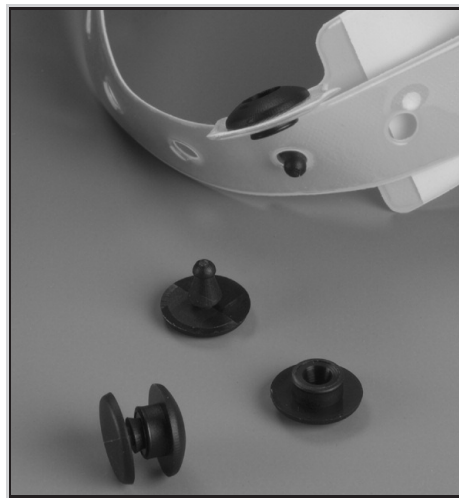
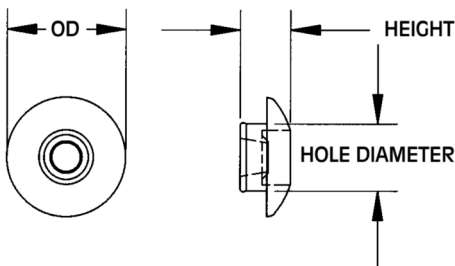
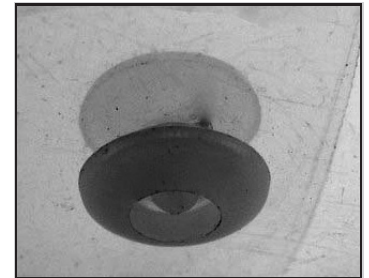
ITEM NUMBER	HEIGHT	OD
27DM070	13/64	7/16

ITEM NUMBER	PANEL THICKNESS	SHANK LENGTH	OD	HEIGHT	SHANK OD
27TM070188	3/16	.200 REF.	7/16	.075	.075 REF.

FEMALE & MALE RIVET

Molded in **Natural Nylon 6/6**

Two piece Nylon 6/6 rivet for flexible plastic I.D. or security bracelet. Male and female rivets snap into pre-punched holes in plastic bracelet and then snap together. Very difficult to remove without damaging. Parts are molded in natural Nylon 6/6, black is also available upon request.



FEMALE RIVET

MALE RIVET



ITEM NUMBER	OD	HOLE DIAMETER	HEIGHT
27MRF22	.380 (9,65)	.213 (5,41)	.160 (4,06)

ITEM NUMBER	OD	POST DIAMETER	LENGTH
27MRM218125	.375 (9,53)	.081 (2,06)	.283 (7,19)

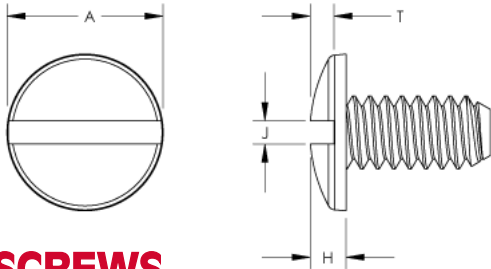
PANEL FASTENERS AND HOLE PLUGS

SECTION VI

POSTS AND SCREWS

Molded in **CLEAR** Polycarbonate

Molded in polycarbonate material. Stronger and more durable for industrial applications. Low cost, transparent fastener: female-threaded headed bushing and slotted-head machine screw.



SCREWS

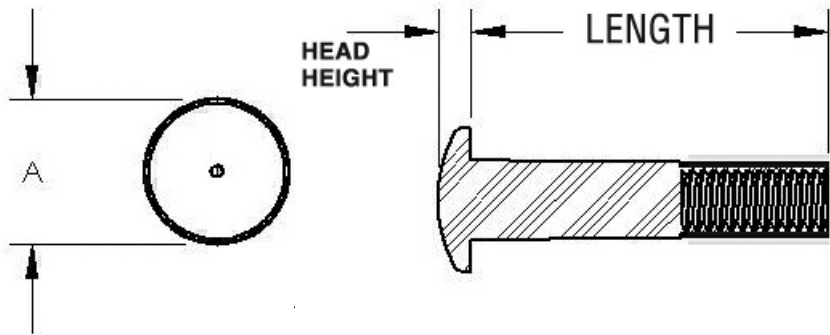
SCREW AND POST ARE SOLD SEPARATELY

ITEM NUMBER	SCREW SIZE	THREAD	A	H	J	T	LENGTH
010832POST025PC	8	832	.355	.093	.060	.062	1/4
010832POST037PC	8	832	.406	.093	.060	.062	3/8

Posts and Screws can also be purchased molded in Black or White Nylon.

Simple, effective, fast binding solution for a variety of applications, including;

- architectural drawings
- paper, scrapbooking
- swatch book fabric
- acrylic displays
- leather



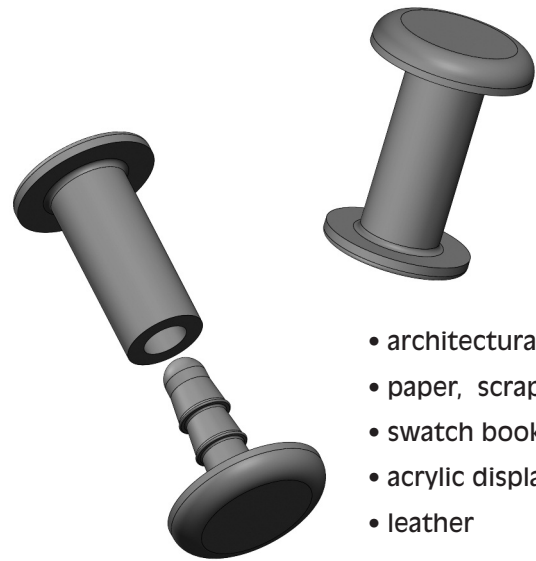
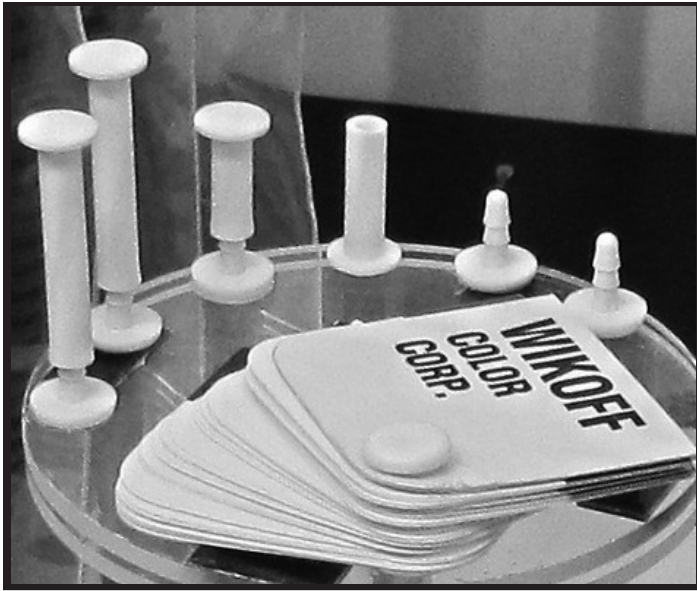
THREADED POSTS

ITEM NUMBER	THREAD	POST OUTSIDE DIA.	LENGTH	A	HEAD HEIGHT	SCREW LENGTH
27POST8320250	832	7/32	1/4	23/64	.093	1/4
27POST8320375	832	7/32	3/8	13/32	.093	3/8
27POST8320500	832	7/32	1/2	13/32	.093	3/8
27POST8320625	832	7/32	5/8	13/32	.093	3/8
27POST8320750	832	7/32	3/4	13/32	.093	3/8
27POST8320875	832	7/32	7/8	13/32	.093	3/8
27POST8321000	832	7/32	1	13/32	.093	3/8



PANEL FASTENERS AND HOLE PLUGS

SECTION
VI



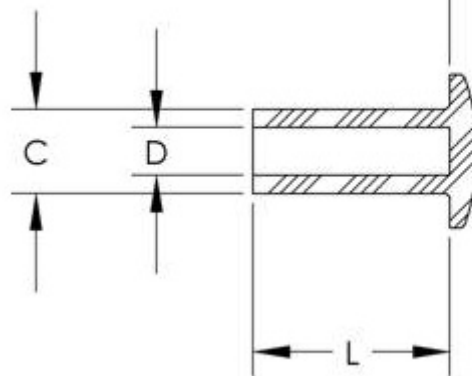
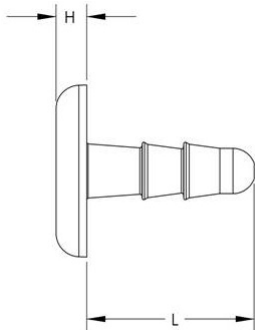
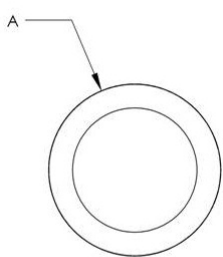
- architectural drawings
- paper, scrapbooking
- swatch book fabric
- acrylic displays
- leather

POST AND PIN

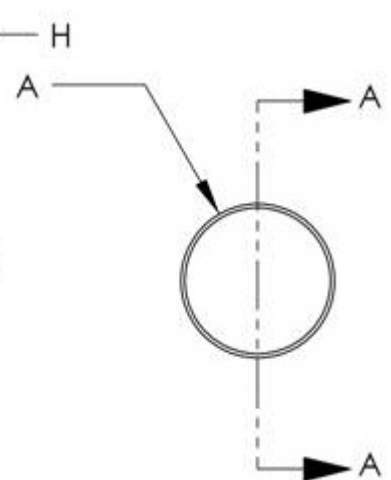
PIN Molded in WHITE Polycarbonate -POSTS Molded in WHITE Polyethylene

The pin is molded in white Polycarbonate material and the different length posts are molded in white polyethylene. The combination fasteners are intended for a one time assembly. The posts and pins are sold separately. These posts and pin fasteners provide a cost effective way for binding applications such as displays, swatch book fabrics, leather and scrap booking. One size pin fits all lengths of posts. Posts are available in 1/2, 5/8, 3/4, 1 and 1 1/4 lengths. Additional lengths available between 1/2 and 1 1/4 long in reasonable quantities.

PIN



NON THREADED POSTS



POSTS

ITEM NUMBER	A HEAD DIAMETER	C BODY DIAMETER	D ID	H HEAD HEIGHT	L BODY LENGTH
27POSTNT0500	.390 (9,91)	.214 (5,44)	.122 (3,10)	.070 (1,78)	.500 (12,70)
27POSTNT0625	.390 (9,91)	.214 (5,44)	.122 (3,10)	.070 (1,78)	.625 (15,88)
27POSTNT0750	.390 (9,91)	.214 (5,44)	.122 (3,10)	.070 (1,78)	.750 (19,05)
27POSTNT1000	.390 (9,91)	.214 (5,44)	.122 (3,10)	.070 (1,78)	1.000 (25,40)
27POSTNT1250	.390 (9,91)	.214 (5,44)	.122 (3,10)	.070 (1,78)	1.250 (31,75)

PIN

ITEM NUMBER	A HEAD DIAMETER	H HEAD HEIGHT	L LENGTH
27PP001	.437 (11,10)	.078 (1,98)	.425 (10,80)



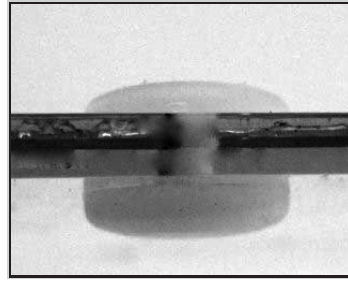
PANEL FASTENERS AND HOLE PLUGS

SECTION VI

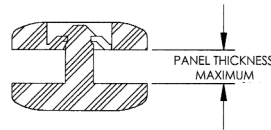
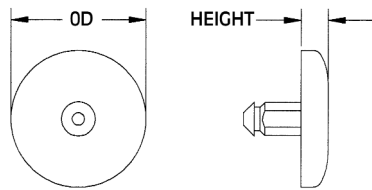
MINI RIVETS

Molded in **Natural Nylon 6/6**

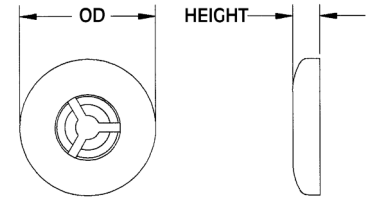
Micro Plastics' Mini Rivets consist of a male and female component. Mini Rivets are used to fasten a variety of materials. Simply press together for fast, easy assembly. Male and female rivets are packaged and sold separately. Mini Rivets are molded in natural Nylon 6/6 but are available in black upon request.



MALE MINI RIVET



FEMALE MINI RIVET



PART NUMBER	DESCRIPTION	HOLE SIZE	PANEL THICKNESS	OD	HEIGHT	SHANK OD
27MRM060010	MALE MINI RIVET	1/16 (1,57)	.010 (0,25)	1/4" (6,35)	.050 (1,27)	.060 (1,52)
27MRM060020	MALE MINI RIVET		.020 (0,51)	1/4" (6,35)	.050 (1,27)	.060 (1,52)
27MRM060030	MALE MINI RIVET		.030 (0,76)	1/4" (6,35)	.050 (1,27)	.060 (1,52)
27MRM060045	MALE MINI RIVET		.045 (1,14)	1/4" (6,35)	.050 (1,27)	.060 (1,52)
27MRM060062	MALE MINI RIVET		.062 (1,57)	1/4" (6,35)	.050 (1,27)	.060 (1,52)
27MRM060075	MALE MINI RIVET		.075 (1,91)	1/4" (6,35)	.050 (1,27)	.060 (1,52)
*27MRF06	FEMALE MINI RIVET			1/4" (6,35)	.050 (1,27)	

* FOR USE WITH ALL .060 MALE RIVETS

PART NUMBER	DESCRIPTION	HOLE SIZE	PANEL THICKNESS	OD	HEIGHT	SHANK OD
27MRM090020	MALE MINI RIVET	3/32 (2,36)	.020 (0,51)	3/8" (9,53)	.075 (1,91)	.094 (2,39)
27MRM090032	MALE MINI RIVET		.032 (0,81)	3/8" (9,53)	.075 (1,91)	.094 (2,39)
27MRM090045	MALE MINI RIVET		.045 (1,14)	3/8" (9,53)	.075 (1,91)	.094 (2,39)
27MRM090062	MALE MINI RIVET		.062 (1,57)	3/8" (9,53)	.075 (1,91)	.094 (2,39)
27MRM090075	MALE MINI RIVET		.075 (1,91)	3/8" (9,53)	.075 (1,91)	.094 (2,39)
27MRM090090	MALE MINI RIVET		.090 (2,29)	3/8" (9,53)	.075 (1,91)	.094 (2,39)
27MRM090112	MALE MINI RIVET		.125 (3,18)	3/8" (9,53)	.075 (1,91)	.094 (2,39)
27MRM090312	MALE MINI RIVET		.312 (7,92)	3/8" (9,53)	.075 (1,91)	.094 (2,39)
*27MRF09	FEMALE MINI RIVET			3/8" (9,53)	.075 (1,91)	

* FOR USE WITH ALL .094 MALE RIVETS

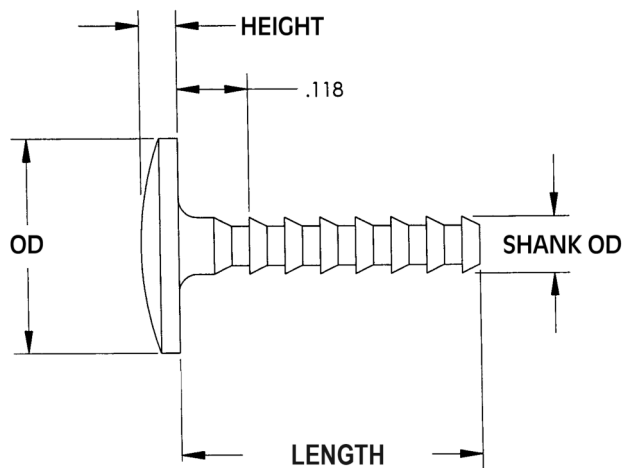
PART NUMBER	DESCRIPTION	HOLE SIZE	PANEL THICKNESS	OD	HEIGHT	SHANK OD
27MRM125032	MALE MINI RIVET	1/8 (3,18)	.032 (0,81)	1/2" (12,70)	.100 (2,54)	.125 (3,18)
27MRM125045	MALE MINI RIVET		.045 (1,14)	1/2" (12,70)	.100 (2,54)	.125 (3,18)
27MRM125062	MALE MINI RIVET		.062 (1,57)	1/2" (12,70)	.100 (2,54)	.125 (3,18)
27MRM125093	MALE MINI RIVET		.093 (2,36)	1/2" (12,70)	.100 (2,54)	.125 (3,18)
27MRM125125	MALE MINI RIVET		.125 (3,18)	1/2" (12,70)	.100 (2,54)	.125 (3,18)
27MRM125143	MALE MINI RIVET		.143 (1,09)	1/2" (12,70)	.100 (2,54)	.125 (3,18)
27MRM125187	MALE MINI RIVET		.187 (4,75)	1/2" (12,70)	.100 (2,54)	.125 (3,18)
27MRM125325	MALE MINI RIVET		.325 (8,26)	1/2" (12,70)	.100 (2,54)	.125 (3,18)
*27MRF12	FEMALE MINI RIVET			1/2" (12,70)	.100 (2,54)	

* FOR USE WITH ALL .125 MALE RIVETS

ADJUSTABLE MALE MINI RIVETS

Molded in **Natural Nylon 6/6**

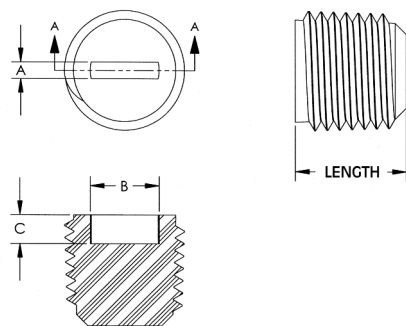
Adjustable male mini rivets are designed to be used with Micro Plastics' female mini rivets. Rivets are molded in tough, resilient, corrosion and chemical resistant Nylon 6/6 material. Variable length rivets can be used to fasten and control computer sheets, catalogs, samples and many other objects. Simply push the adjustable rivet through pre-punched holes, secure with a female mini rivet and clip to desired length.



PART NUMBER	OD	SHANK OD	HEIGHT	LENGTH	PANEL THICKNESS	
27AMR1252187	1/2 (12,70)	.123 (3,12)	1/16 (1,57)	2 5/16" (58,72)	1/8 - 2 3/16 (3,18-55,55)	FOR USE WITH 27MRF12 FEMALE MINI RIVET
27AMR0940375	.354 (8,99)	.094 (2,39)	.062 (1,57)	3/8" (9,52)	.070-.290 (1,77-7,36)	FOR USE WITH 27MRF09 FEMALE MINI RIVET
27AMR0940500	.354 (8,99)	.094 (2,39)	1/16 (1,57)	1/2" (12,70)	1/16 - 3/8 (1,57-9,53)	FOR USE WITH 27MRF09 FEMALE MINI RIVET

PIPE PLUG

Molded in **Natural Nylon 6/6**



Nylon Pipe Plugs with NPT threads are used to protect valves, hydraulic and pneumatic devices from contamination.

Grub style drive allows installation and removal with a common screw driver. Available in 5 NPT sizes from 1/8-27 to 3/4-14.



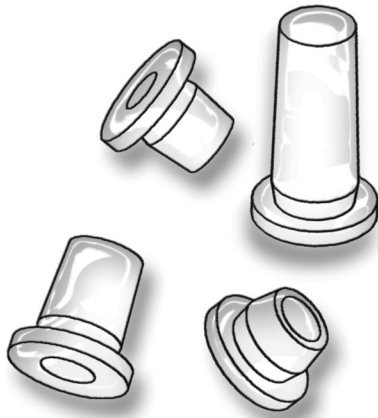
PART NUMBER	THREAD	A	B REF.	C REF.	LENGTH
62NPT01227	1/8-27 NPT	.072 (1,83)	.240 (6,10)	.130 (3,30)	.390 (9,91)
62NPT02518	1/4-18 NPT	.072 (1,83)	.312 (7,92)	.130 (3,30)	.500 (12,70)
62NPT03718	3/8-18 NPT	.150 (3,81)	.380 (9,10)	.358 (9,65)	.550 (13,97)
62NPT05014	1/2-14 NPT	.150 (3,81)	.468 (11,89)	.365 (9,27)	.565 (14,35)
62NPT07514	3/4-14 NPT	.175 (4,44)	.550 (13,97)	.435 (11,05)	.610 (15,49)

PANEL FASTENERS AND HOLE PLUGS

SECTION VI

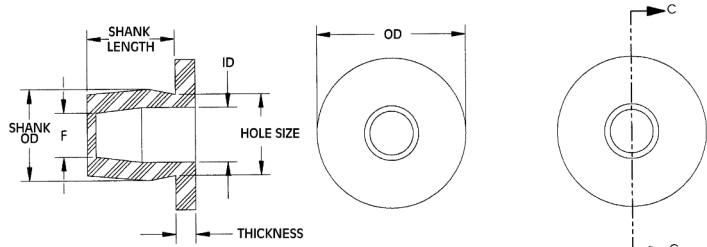
TUBULAR EMBLEM CLIPS

Molded in **Natural Polyethylene**



Micro Plastic's Tubular Emblem Clips or Speed Nut

Clips offer a low substitute to the expensive all metal or metal/rubber clips. These easily installed molded low density polyethylene clips eliminate paint and surface damage. The inevitable rust associated with the sharp metal parts they replace is also eliminated by the electrically insulating, non-cathodic plastic clip.



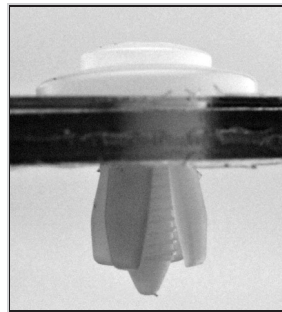
ITEM NUMBER	DESCRIPTION	OD	THICKNESS	SHANK OD	ID	HOLE SIZE REF.	SHANK LENGTH
60TC125250	1/8 X .250 TUBE CLIP	11/32 (8,73)	.046 (1,17)	.209 (5,31)	.125 (3,17)	.187 (4,76)	.200 (5,08)
60TC155200 *	5/32 X .200 TUBE CLIP	11/32 (8,73)	.046 (1,17)	.239 (6,07)	.155 (3,94)	.220 (5,59)	.150 (3,81)
60TC155360	5/32 X .360 TUBE CLIP	11/32 (8,73)	.046 (1,17)	.239 (6,07)	.155 (3,94)	.220 (5,59)	.310 (7,88)
60TC155600	5/32 X .600 TUBE CLIP	11/32 (8,73)	.046 (1,17)	.239 (6,07)	.155 (3,94)	.220 (5,59)	.550 (13,97)

* I.D. HAS A THRU HOLE

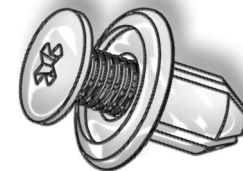
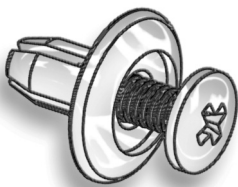
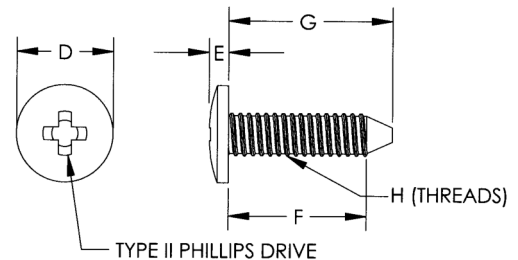
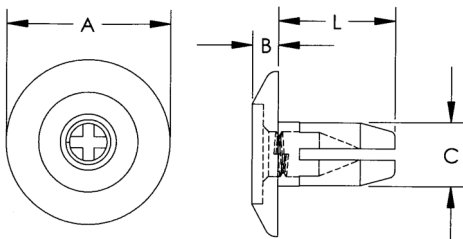
"SPECIAL ITEM" TWO PIECE SCREW RIVETS

Molded in **Natural Nylon 6/6**

Micro Plastics' two-piece screw rivets are designed to fasten larger components or small assemblies to their mating panels.



Pressing or tapping the screw through the body creates a secure insulated connection. In addition the screw may be removed with a phillips screw driver and the fastener re-used.



ITEM NUMBER	HOLE SIZE	PANEL THK.
401007	1/4 (6,35)	.156 (3,96)

ITEM NUMBER	HOLE SIZE	PANEL THK.
401008	1/4 (6,35)	.140 (3,56)

ITEM NUMBER	HOLE SIZE	PANEL THK.
401009	9/32 (7,14)	.093 (2,36)

ITEM NUMBER	A	B	C	L	D	E	F	G	H
401007	19/32 (15,08)	3/32 (2,38)	.230 (5,84)	27/64 (10,72)	.354 (8,89)	.080 (2,03)	1/2 (12,70)	19/32 (15,08)	8-32
401008	45/64 (17,86)	3/32 (2,38)	.235 (5,97)	7/16 (11,11)	5/16 (7,94)	.040 (1,02)	27/64 (10,72)	33/64 (13,10)	8-32
401009	.555 (14,10)	.065 (1,65)	.270 (6,86)	7/16 (11,11)	25/64 (9,72)	.050 (1,27)	21/64 (8,33)	1/2 (12,70)	10-32



PANEL FASTENERS AND HOLE PLUGS

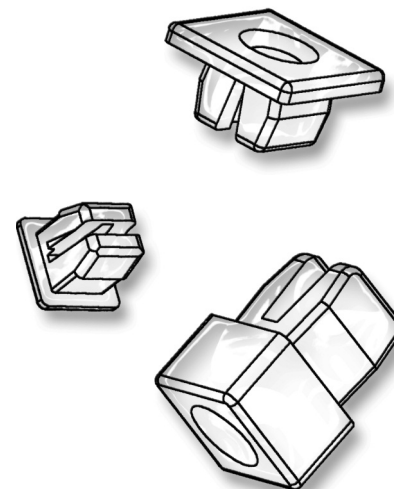
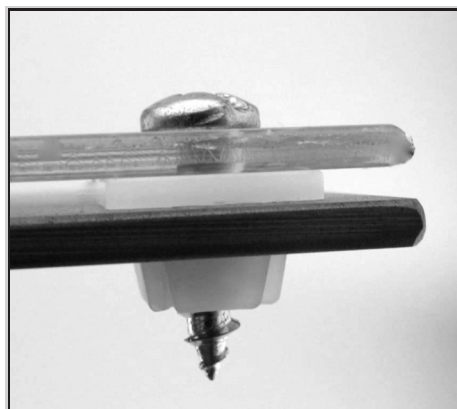
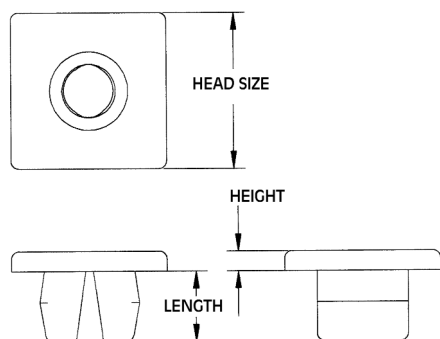
SECTION
VI

GROMMET NUTS

Molded in **Natural Nylon 6/6**

Micro Plastics' Open Poly Grommet Nuts provide a low cost, positive connection of thin gauge materials while they eliminate cross threading. The specially designed locks snap into a pre-punched square hole. As the self-threading sheet metal

screw is tightened, the Poly Grommet expands and securely locks the screw and assembled parts in place. The Grommet will provide a corrosion and vibration resistant connection and can be used to insulate areas of an assembly from electrical and thermal transfer. Some of the more common sizes that we have initially tooled are shown below. Because of unique tooling approach, we can vary this design over a wide range. Request the size you need. Poly Grommets are molded in Nylon 6/6 and can be dyed or molded in various colors. Different plastic materials can be substituted. Naturally, changes in our standard product will involve additional costs. Let us know what you need.



SQUARE HEAD

PART NUMBER	HOLE SIZE RCT	PANEL THICKNESS	SCREW SIZE	HEAD SIZE	HEIGHT	LENGTH
60SGN00001	.275/.290 (6,99/7,37)	.031/.125 (0,79/3,18)	8-10	3/8 (9,53)	.031 (0,79)	.320 (8,13)
60SGN00002	.275/.290 (6,99/7,37)	.031/.125 (0,79/3,18)	8-10	3/8 (9,53)	.062 (1,57)	.320 (8,13)
60SGN00003	.275/.290 (6,99/7,37)	.031/.125 (0,79/3,18)	8-10	.375 (9,53)	.125 (3,18)	.320 (8,13)
60SGN00004	.275/.290 (6,99/7,37)	.031/.125 (0,79/3,18)	8-10	3/8 (9,53)	.250 (6,35)	.320 (8,13)
60SGN00005	.375/.375 (9,53/9,53)	.031/.125 (0,79/3,18)	1/4	5/8 (15,88)	1-1/16 (27,0)	9/32 (7,14)
60SGN00006	.250/.260 (6,35/6,61)	.031/.115 (0,79/2,92)	6	.435 (11,05)	.094 (2,39)	.220 (5,59)
60SGN00007	.270/.270 (6,86/6,86)	.062/.275 (1,57/6,99)	6	.375/.500 (9,53/12,70)	.031 (0,79)	.435 (11,05)
60SGN00015	.370/.380 (9,40/9,65)	.031/.156 (0,79/3,96)	10	5/8 (15,87)	.078 (1,98)	.325 (8,25)
60SGN00912	.225/.255 (5,71/6,48)	.031/.125 (0,79/3,18)	8	.375 (9,53)	.187 (4,75)	.300 (7,62)
60SGN00913	.250/.250 (6,35/6,35)	.031/.060 (0,79/1,52)	8-10	13/32 (10,31)	.030 (0,76)	9/32 (7,14)
60SGN00915	.245/.255 (6,22/6,48)	.031/.125 (0,79/3,18)	6-8	3/8 (9,53)	1/32 (0,79)	9/32 (7,14)
60SGN01000	.250/.255 (6,35/6,48)	.110/.125 (2,79/3,18)	6	.375 (9,53)	.031 (0,79)	.265 (6,73)
60SGN01012	.173/.178 (4,39/4,52)	.031/.078 (0,79/1,98)	4	.218 (5,54)	.250 (6,35)	.218 (5,54)
60SGN01014	.250/.270 (6,35/6,86)	.062/.155 (1,57/3,94)	6	.375 (9,53)	.032 (0,81)	.312 (7,92)
60SGN01016	.285/.295 (7,24/7,49)	.078/.175 (1,98/4,45)	8	.380 (9,65)	.045 (1,14)	.340 (8,64)
60SGN01020	.275/.280 (6,99/7,11)	.040/.045 (1,02/1,14)	8-10	.370 (9,40)	.032 (0,81)	.330 (8,38)
60SGN01122	.350/.355 (8,89/9,02)	.218/.230 (5,54/5,84)	8-10	.475 (12,07)	.064 (1,63)	.421 (10,69)
60SGN01125	.370/.390 (9,40/9,91)	.064/.187 (1,57/4,75)	10	39/64 (15,47)	.085 (2,16)	.290 (7,37)
60SGN01126	.305/.315 (7,75/8,00)	.031/.175 (0,79/4,44)	8	.470 (11,94)	.060 (1,52)	.300 (7,62)
60SGN01130	.370/.375 (9,40/9,52)	.031/.100 (0,79/2,54)	12	.620 (15,75)	.080 (2,03)	.275 (6,98)
60SGN01135	.173/.178 (4,39/4,52)	.031/.078 (0,79/1,98)	4	.218 (5,54)	.050 (1,27)	.218 (5,54)
60SGN01145	.270/.310 (6,85/7,87)	.031/.170 (0,79/4,32)	8	.405 (10,29)	.062 (1,57)	.312 (7,92)
60SGN01150	.310/.310 (7,87/7,87)	.031/.170 (0,79/4,32)	10	.465 (11,81)	.062 (1,57)	.295 (7,49)
60SGN01155	.245/.250 (6,22/6,35)	.047/.095 (1,19/2,41)	2	.375 (9,52)	.032 (0,81)	.240 (6,07)
60SGN01160	.335/.340 (8,52/8,64)	.062/.125 (1,58/3,17)	8	.512 (12,96)	.075 (1,90)	.315 (8,00)
60SGN01165	.270/.270 (6,86/6,86)	.062/.125 (1,58/3,17)	6	.390 (9,90)	.050 (1,27)	.275 (6,99)
60SGN01170	.275/.285 (6,90/7,24)	.031/.125 (0,79/3,17)	4	.375 (9,53)	.050 (1,27)	.218 (5,54)

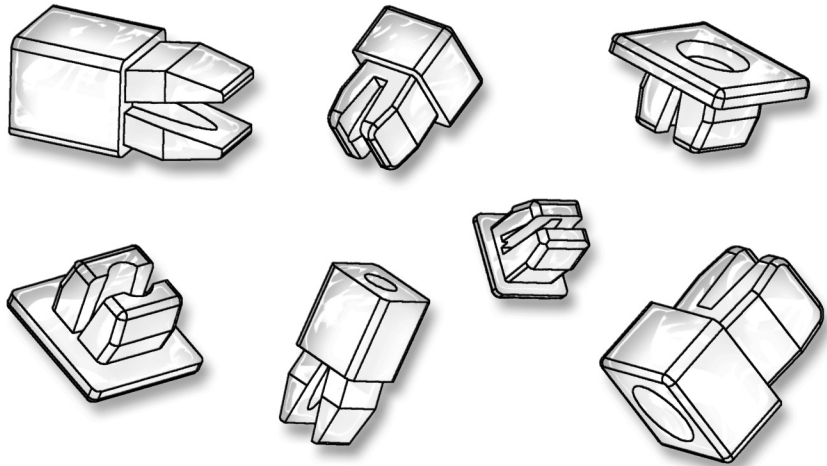
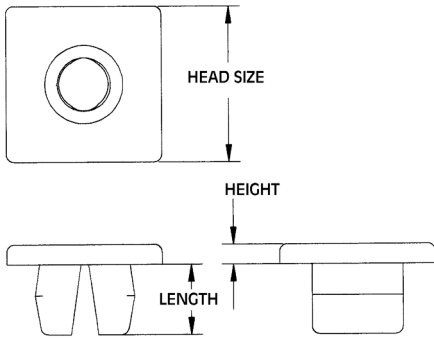


PANEL FASTENERS AND HOLE PLUGS

SECTION VI

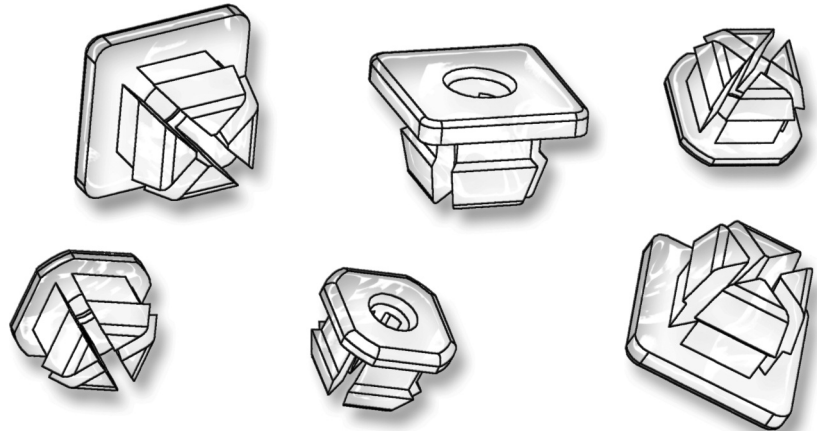
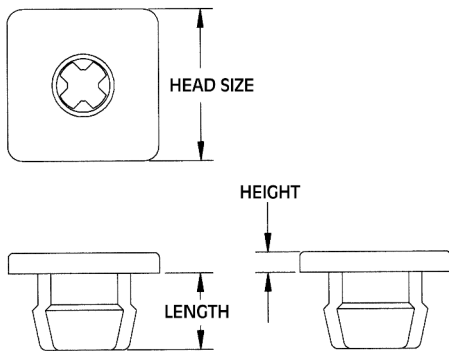
GROMMET NUTS

Molded in **Natural Nylon 6/6**



SQUARE HEAD

PART NUMBER	HOLE SIZE RCT	PANEL THICKNESS	SCREW SIZE	HEAD SIZE	HEIGHT	LENGTH
60SGN00914	.270/.275 (6,86/6,99)	.031/.109 (0,79/2,77)	6	3/8 (9,53)	.305 (7,75)	9/32 (7,14)
60SGN01171	.200/.270 (5,08/6,86)	.032/.156 (0,81/3,96)	6	.312/.437 (7,93/11,1)	.035 (0,89)	.312 (7,93)
60SGN01175	.275/.280 (6,99/7,11)	.062/.120 (1,60/3,05)	6	.390 (9,90)	.055 (1,40)	.281 (7,14)
60SGN01176	.260/.270 (6,61/6,86)	.093/.187 (2,36/4,75)	6	.410 (10,41)	.040 (1,02)	.310 (7,87)
60SGN01177	.275/.275 (6,99/6,99)	.187/.250 (4,76/6,35)	4	3/8 (9,53)	.035 (0,89)	.390 (9,92)
60SGN01178	.275/.275 (6,99/6,99)	.047/.180 (1,19/4,57)	8	.375 (9,53)	.032 (0,81)	.327 (8,31)
60SGN01179	.370/.445 (9,40)/(11,30)	.062/.120 (1,19/4,57)	1/4	5/8 (15,88)	.080 (2,04)	9/32 (7,14)
60SGN01180	.370/.375 (9,40/9,50)	.062/.120 (1,60/3,05)	1/4	.625 (15,90)	.080 (2,04)	.281 (7,14)
60SGN01182	.370/.375 (9,40/9,50)	.125/.250 (3,17/6,35)	1/4	5/8 (15,87)	.080 (2,04)	.406 (10,31)
60SGN01185	.320/.335 (8,08/8,51)	.032/.234 (0,81/5,94)	10	.470 (11,94)	.055 (1,40)	.420 (10,67)
60SGN01190	.335/.345 (8,51/8,76)	.062/.171 (1,58/4,35)	10	.468 (11,88)	.095 (2,42)	.400 (10,16)
60SGN01195	.330/.365 (8,38/9,28)	.032/.095 (0,81/2,41)	10	.493 (12,52)	.094 (2,39)	.295 (7,50)
60SGN01200	.250/.260 (6,35/6,61)	.062/.125 (1,58/3,18)	6	.375 (9,53)	.140 (3,56)	.265 (6,73)



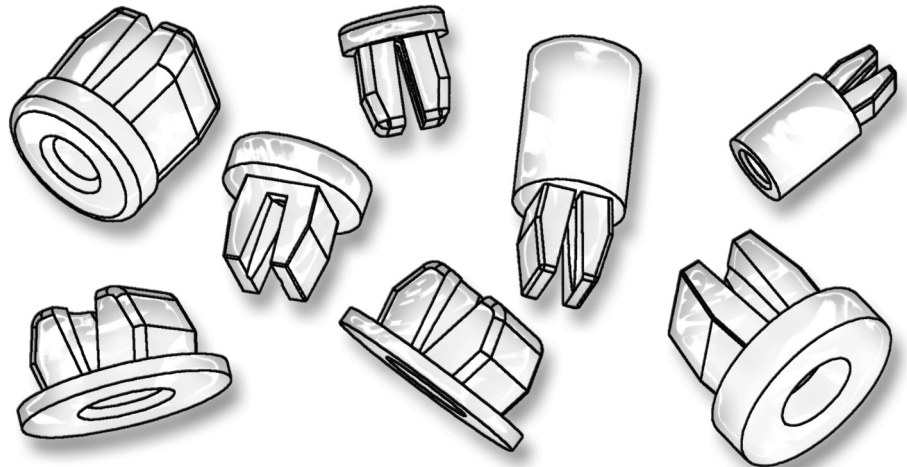
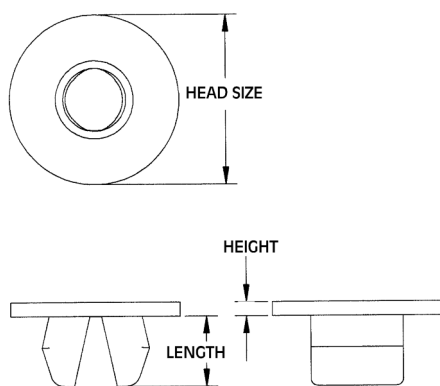
DOUBLE SPLIT SQUARE

PART NUMBER	HOLE SIZE RCT	PANEL THICKNESS	SCREW SIZE	HEAD SIZE	HEIGHT	LENGTH
60SGN01010	.377/.382 (9,58/9,70)	.125/.130 (3,18/3,30)	10	39/64 (15,48)	.082 (2,08)	.308 (7,82)
60SGN01015	.228/.233 (5,79/5,92)	.250/.271 (6,35/6,88)	8	.375 (9,53)	.031 (0,79)	.406 (10,31)
60SGN01018	.310/.315 (7,87/8,00)	.110/.115 (2,79/2,92)	8	.437 (11,10)	.078 (1,98)	.281 (7,14)
60SGN01019	.305/.310 (7,75/7,87)	.125/.135 (3,18/3,43)	8	.437 (11,10)	.062 (1,57)	.281 (7,14)
60SGN01021	.375/.390 (9,53/9,91)	.230 (5,48)	1/4	5/8 (15,88)	.080 (2,03)	.438 (11,13)
60SGN01025	.250/.250 (6,35/6,35)	.093/.275 (0,91/6,99)	8	.375 (9,53)	.047 (1,19)	.420 (10,67)
60SGN01128	.330/.330 (8,38/8,38)	.031/.125 (0,79/3,18)	8	.505 (12,83)	.032 (0,81)	.275 (6,98)
60SGN01030	.303 (7,70)	.031/.145 (0,79/3,68)	8-10	.435 (11,05)	.062 (1,57)	.270 (6,86)
60SGN01181	.410/.410 (10,42/10,42)	.031/.062 (0,79/1,58)	1/4	.630 (16,00)	.140 (3,56)	.280 (7,12)

GROMMET NUTS

Molded in Natural Nylon 6/6

Micro Plastics' Open Poly Grommet Nuts provide a low cost, positive connection of thin gauge materials while they eliminate cross threading. The specially designed locks snap into a pre-punched square hole. As the self-threading sheet metal screw is tightened, the Poly Grommet expands and securely locks the screw and assembled parts in place. The Grommet will provide a corrosion and vibration resistant connection and can be used to insulate areas of an assembly from electrical and thermal transfer. Some of the more common sizes that we have initially tooled are shown below. Because of unique tooling approach, we can vary this design over a wide range. Request the size you need. Poly Grommets are molded in Nylon 6/6 and can be dyed or molded in various colors. Different plastic materials can be substituted. Naturally, changes in our standard product will involve additional costs. Let us know what you need.



ROUND HEAD

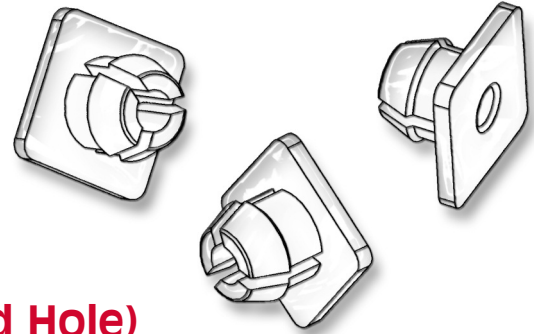
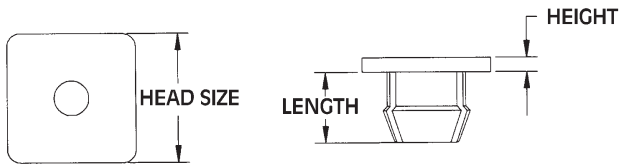
PART NUMBER	HOLE SIZE RCT	PANEL THICKNESS	SCREW SIZE	HEAD SIZE	HEIGHT	LENGTH
60SGN00009	.270/.280 (6,86/7,11)	.062/.165 (1,57/4,19)	6	.375 (9,53)	.093 (2,36)	.300 (7,62)
60SGN00008	.267/.272 (6,78/6,91)	.031/.109 (0,79/2,77)	8-10	9/16 (14,29)	9/16 (14,29)	9/32 (7,14)
60SGN00010	.275/.290 (6,99/7,37)	.031/.125 (0,79/3,18)	8-10	.500 (12,70)	.031 (0,79)	.320 (8,13)
60SGN00011	.275/.290 (6,99/7,37)	.031/.125 (0,79/3,18)	8-10	.500 (12,70)	.062 (1,57)	.320 (8,13)
60SGN00012	.275/.290 (6,99/7,37)	.031/.125 (0,79/3,18)	8-10	.500 (12,70)	.125 (3,18)	.320 (8,13)
60SGN00013	.275/.290 (6,99/7,37)	.031/.125 (0,79/3,18)	8-10	.500 (12,70)	.250 (6,35)	.320 (8,13)
60SGN00014	.169/.177 (4,29/4,50)	.063 (1,60)	4	.264 (6,71)	.374 (9,50)	.217 (5,51)
60SGN00016	.275/.285 (6,99/7,24)	.031/.156 (0,79/3,96)	8-10	.500 (12,70)	.098 (2,49)	.325 (8,26)
60SGN00038	.275/.290 (6,99/7,37)	.031/.156 (0,79/3,96)	8	.500 (12,70)	.375 (9,53)	.320 (8,13)
60SGN00072	.275/.290 (6,99/7,37)	.031/.156 (0,79/3,96)	10	.500 (12,70)	.708 (17,98)	.315 (8,00)
60SGN00073	.280/.285 (7,11/7,24)	.032/.150 (0,81/3,81)	6	1/2 (12,70)	23/32(18,26)	11/32 (8,73)
60SGN00100	.275/.290 (6,99/7,37)	.031/.156 (0,79/3,96)	8-10	.437 (11,10)	.032 (0,81)	.325 (8,26)
60SGN00818	.275/.290 (6,99/7,37)	.031/.109 (0,79/2,77)	8-10	.547 (13,89)	1.062(26,97)	.281 (7,14)
60SGN00910	.281/.286 (7,14/7,26)	.031/.109 (0,79/2,77)	8-10	.492 (12,50)	.693 (17,60)	.281 (7,14)
60SGN01121	.350/.355 (8,89/9,02)	.032/.125 (0,81/3,18)	12	.534 (13,56)	.130 (3,30)	.281 (7,14)
60SGN01124	.350/.355 (8,89/9,02)	.032/.125 (0,81/3,18)	10	9/16" (14,29)	1/4" (6,35)	.320 (8,13)
60SGN01140	.310/.310 (7,87/7,87)	.031/.160 (0,79/4,06)	10	.500 (12,70)	.035 (0,89)	.292 (7,42)
60SGN01143	.310/.310 (7,87/7,87)	.031/.160 (0,79/4,06)	10	.500 (12,70)	.177 (4,50)	.292 (7,42)
60SGN02200	.425/.429 (10,80/10,90)	.031/.110 (0,79/2,79)	5/16	.740 (18,80)	.190 (4,83)	.312 (7,92)
60SGN02300	.415/.430 (10,54/10,92)	.032/.135 (0,81/3,43)	5/16	.750 (19,05)	.062 (1,57)	.310 (7,87)
60SGN02400	.325/.330 (8,26/8,38)	.031/.156 (0,79/3,96)	10	.565 (14,35)	.062 (1,57)	.320 (8,13)
60SGN02500	.275/.280 (6,99/6,86)	.062/.170 (1,57/4,32)	8	.495 (12,57)	.312 (7,92)	.325 (8,26)
60SGN02700	.415/.430 (10,54/10,92)	.071/.250 (1,80/6,35)	5/16	.750 (19,05)	.062 (1,57)	.430(10,92)

PANEL FASTENERS AND HOLE PLUGS

SECTION VI

GROMMET NUTS

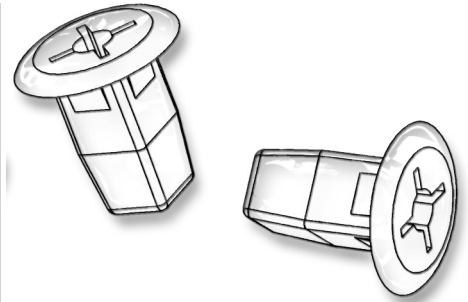
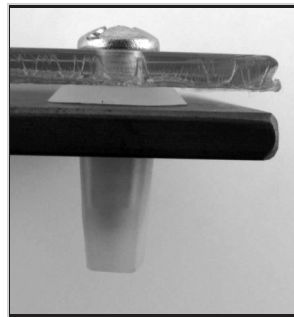
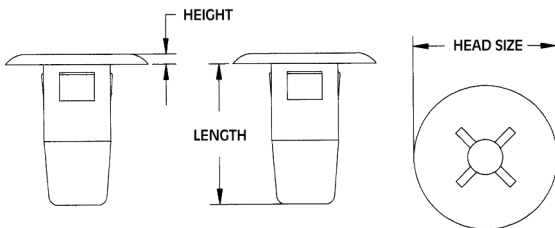
Molded in **Natural Nylon 6/6**



THREE LEGGED SQUARE HEAD (Fits Round Hole)

Molded in **Natural Nylon 6/6**

PART NUMBER	HOLE SIZE RND	PANEL THICKNESS	SCREW SIZE	HEAD SIZE	HEIGHT	LENGTH
60SGN03300	.300/.300 (7,62/7,62)	.031/.135 (0,78/3,43)	6	.485 (12,32)	.055 (1,40)	.265 (6,73)

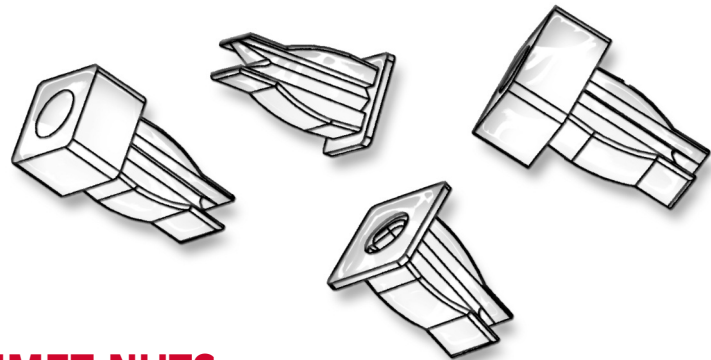
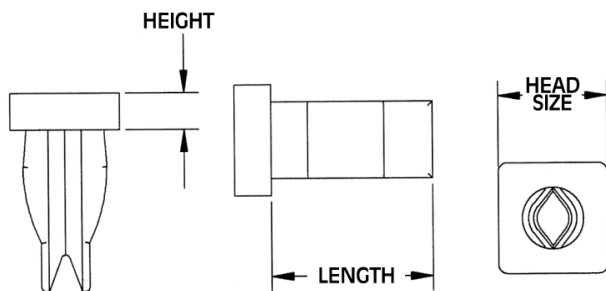


CLOSED GROMMET NUTS

Molded in **Natural Nylon 6/6**

PART NUMBER	HOLE SIZE RCT	PANEL THICKNESS	SCREW SIZE	HEAD SIZE	HEIGHT	LENGTH
60SGN01402*	.355/.355 (9,02/9,02)	.062/.350 (1,57/8,81)	10	.700 (17,78)	.050 (1,27)	.685 (17,40)

*ROUND HEAD



CLOSED SCREW STANDARD GROMMET NUTS

Molded in **Natural Nylon 6/6**

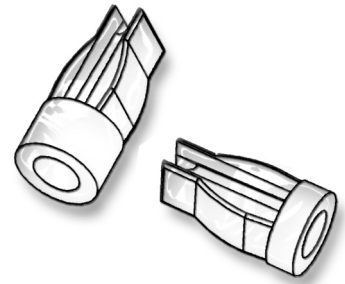
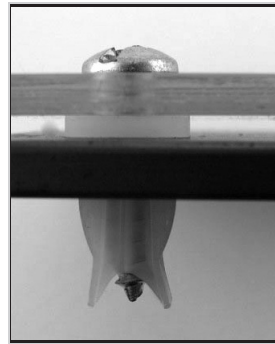
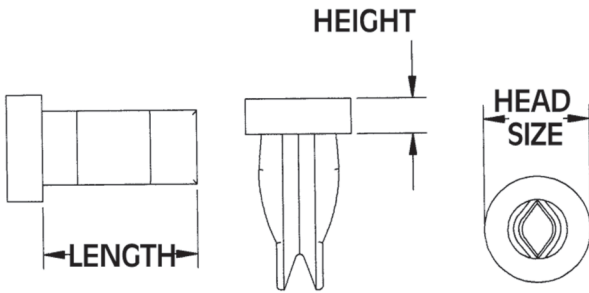
PART NUMBER	HOLE SIZE RCT	PANEL THICKNESS	SCREW SIZE	HEAD SIZE	HEIGHT	LENGTH
60SGC00001	.270-.290 (6,86/7,37)	.020-.140 (0,51/3,56)	8-10	.375 (9,53)	.031 (0,79)	.540 (13,7)
60SGC00002	.270-.290 (6,86/7,37)	.020-.140 (0,51/3,56)	8-10	.375 (9,53)	.062 (1,57)	.540 (13,7)
60SGC00003	.270-.290 (6,86/7,37)	.020-.140 (0,51/3,56)	8-10	.375 (9,53)	.125 (3,18)	.540 (13,7)
60SGC00004	.270-.290 (6,86/7,37)	.020-.140 (0,51/3,56)	8-10	.375 (9,53)	.250 (6,35)	.540 (13,7)
60SGC00005	.309-.315 (7,85/8,00)	.020-.140 (0,51/3,56)	8-10	.437 (11,1)	.031 (0,79)	.540 (13,7)
60SGC00006	.309-.315 (7,85/8,00)	.020-.140 (0,51/3,56)	8-10	.437 (11,1)	.062 (1,57)	.540 (13,7)
60SGC00007	.309-.315 (7,85/8,00)	.020-.140 (0,51/3,56)	8-10	.437 (11,1)	.125 (3,18)	.540 (13,7)
60SGC00008	.309-.315 (7,85/8,00)	.020-.140 (0,51/3,56)	8-10	.437 (11,1)	.250 (6,35)	.540 (13,7)
60SGC00010*	.250-.281 (6,35/7,14)	.020/.140 (0,51/3,56)	8-10	.375 (9,53)	.125 (3,18)	.438 (11,1)

* HEAD IS ROUND



GROMMET NUTS

Molded in **Natural Nylon 6/6**



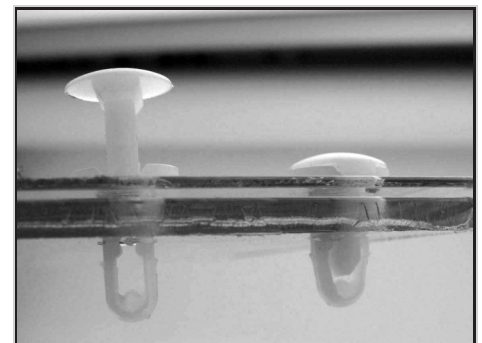
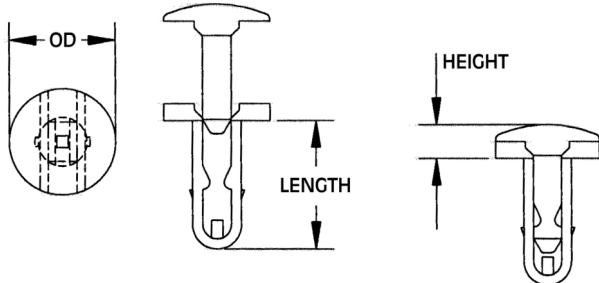
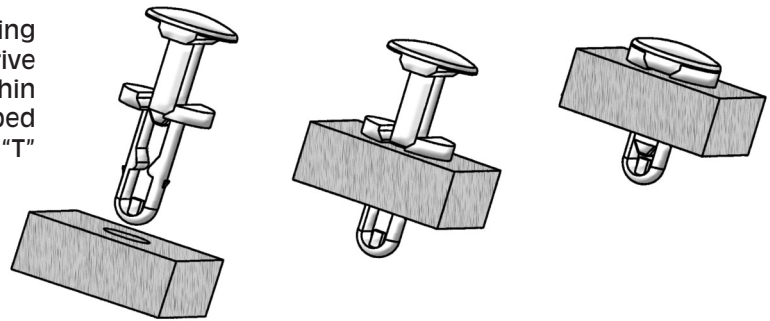
CLOSED SCREW SPACER GROMMET NUTS

PART NUMBER	HEIGHT	HEAD SIZE	HOLE SIZE RCT	PANEL THICKNESS	SCREW SIZE	LENGTH
60SPG00001	.125 (3,18)	3/8" (9,53)	.270-.290 (6,86/7,37)	.020-.140 (0,51/3,56)	8-10	.548 (13,9)
60SPG00002	.187 (4,75)	3/8" (9,53)	.270-.290 (6,86/7,37)	.020-.140 (0,51/3,56)	8-10	.548 (13,9)
60SPG00003	.250 (6,35)	3/8" (9,53)	.270-.290 (6,86/7,37)	.020-.140 (0,51/3,56)	8-10	.548 (13,9)
60SPG00004	.312 (7,92)	3/8" (9,53)	.270-.290 (6,86/7,37)	.020-.140 (0,51/3,56)	8-10	.548 (13,9)
60SPG00005	.375 (9,53)	3/8" (9,53)	.270-.290 (6,86/7,37)	.020-.140 (0,51/3,56)	8-10	.548 (13,9)
60SPG00006	.500 (12,7)	3/8" (9,53)	.270-.290 (6,86/7,37)	.020-.140 (0,51/3,56)	8-10	.548 (13,9)

PANEL CINCHING RIVETS

Molded in **Natural Nylon 6/6**

Micro Plastics' one-piece molded nylon panel cinching rivet consisting of two elements, the "T" shaped drive pin and "U" shaped body which are joined by thin webs. To install the fastener, insert the "U" shaped body into the panel hole and rap the head of the "T" shaped pin with a hammer or impact tool.



Watch Instructional Video

[mms://www.microplastics.com/productvideos/PanelCinchingRivet.asf](https://www.microplastics.com/productvideos/PanelCinchingRivet.asf)

PART NUMBER	HOLE SIZE	PANEL THICKNESS	OD	LENGTH	HEIGHT
27CINCH01	.125 (3,18)	0.020-0.109 (0,51-2,77)	1/4" (6,35)	.357 (9,07)	.080 (2,03)
27CINCH02	.187 (4,75)	0.020-0.174 (0,51-4,42)	3/8" (9,53)	.450 (11,08)	.120 (3,38)
27CINCH03	.250 (6,35)	0.020-0.109 (0,51-2,77)	3/8" (9,53)	.475 (12,07)	.115 (2,92)
27CINCH04	.250 (6,35)	0.020-0.174 (0,51-4,42)	5/8" (15,88)	.555 (14,10)	.117 (2,97)



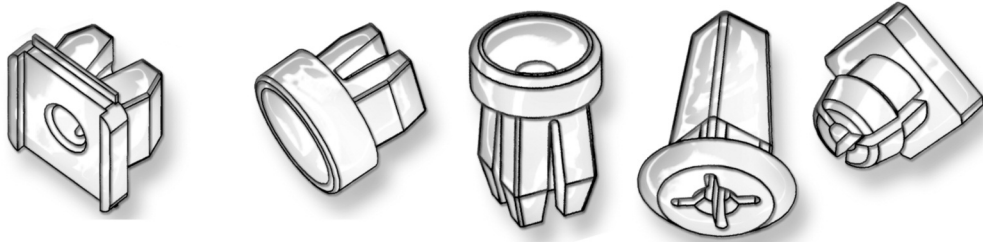
PANEL FASTENERS AND HOLE PLUGS

SECTION VI

"SPECIAL ITEM "GROMMET NUTS

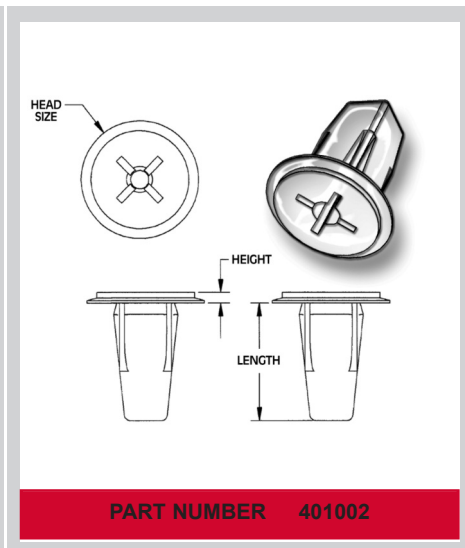
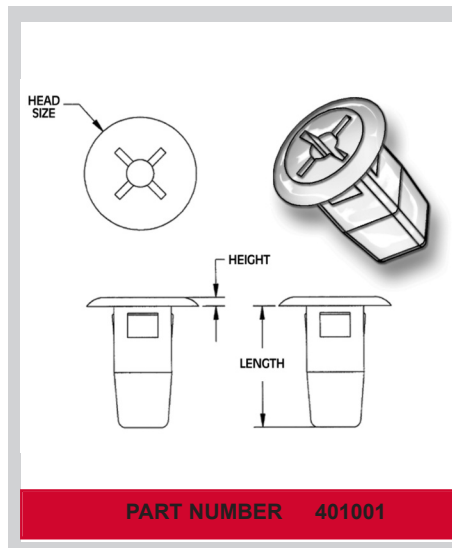
Molded in Natural Nylon 6/6

New
SIZES



PART NUMBER	HOLE SIZE RCT	PANEL THICKNESS	SCREW SIZE	HEAD SIZE	HEIGHT	LENGTH
401001	.355 (9,02)	.125-.275 (3,17-6,98)	10	.641 (16,3)	.048 (1,22)	.680 (17,3)
401002	.260-.265 (6,60-6,73)	.062-.437 (1,57-11,1)	8	.562 (14,3)	.050 (1,27)	.562 (14,3)
401012	.230-.235 (5,84-5,97)	.125-.275 (3,17-6,98)	8	.375 (9,53)	.125 (3,18)	.406 (10,3)
401018	.280 (7,11)	.056-.235 (1,42-5,99)	4	.531 (13,5)	.062 (1,57)	.640 (16,3)
401021	.275-.290 (6,98-7,37)	.093-.145 (2,36-3,68)	8	1/2 (12,7)	.187 (4,75)	.280 (7,11)
401024	.275-.290 (6,98-7,37)	.031-.140 (0,79-3,56)	10	.450 (11,4)	7/8 (22,2)	.280 (7,11)
401025	.275-.290 (6,98-7,37)	.062-.125 (1,57-3,17)	6	.405/.430 (10,3/10,9)	.073 (1,85)	.213 (5,41)
401034	.285-.290 (7,24-7,37)	.031-.094 (0,79-2,39)	8	.455 (11,6)	2.000 (50,8)	.275 (6,98)
401037	.285-.290 (7,24-7,37)	.031-.094 (0,79-2,39)	8	.455 (11,6)	1.625 (41,2)	.275 (6,98)
401038	.285-.290 (7,24-7,37)	.031-.094 (0,79-2,39)	8	.455 (11,6)	2.250 (57,1)	.275 (6,98)
401039	.285-.290 (7,24-7,37)	.031-.094 (0,79-2,39)	8	.455 (11,6)	2.060 (52,3)	.275 (6,98)
401040	.285-.290 (7,24-7,37)	.031-.094 (0,79-2,39)	8	.495 (12,6)	1.125 (28,6)	.275 (6,98)
401046	.250-.281 (6,35-7,13)	.020-.076 (0,50-1,93)	8-10	.375 (9,53)	.185 (4,70)	.425 (10,8)
401047	.250-.281 (6,35-7,13)	.020-.076 (0,50-1,93)	8-10	.380 (9,65)	.500 (12,7)	.434 (11,0)

PART NUMBER	HOLE SIZE RND	PANEL THICKNESS	SCREW SIZE	HEAD SIZE	HEAD HEIGHT	LOCK LENGTH
401003	.310 (7,87)	.031-.135 (0,79-3,43)	6	.465 (11,8)	.120 (3,05)	.286 (7,26)



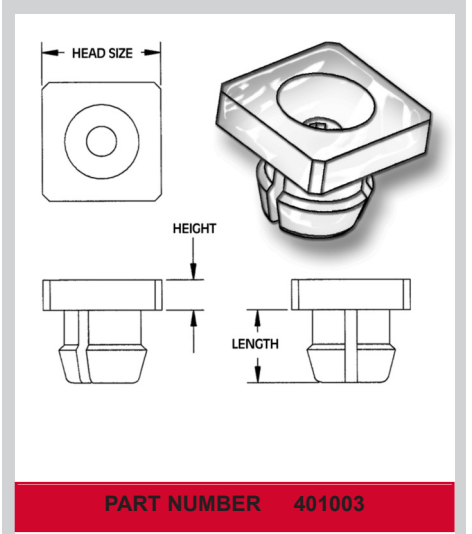
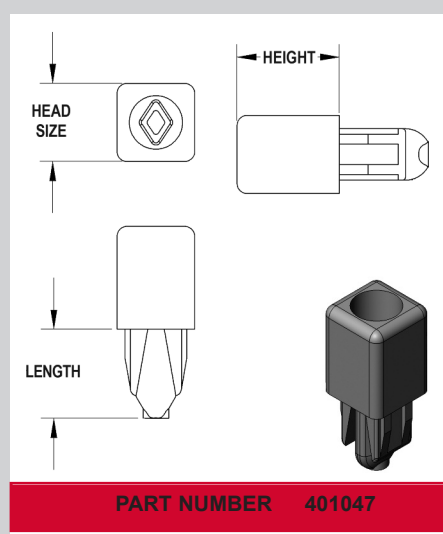
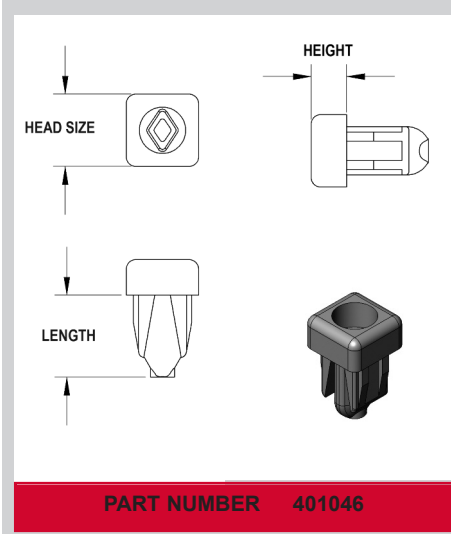
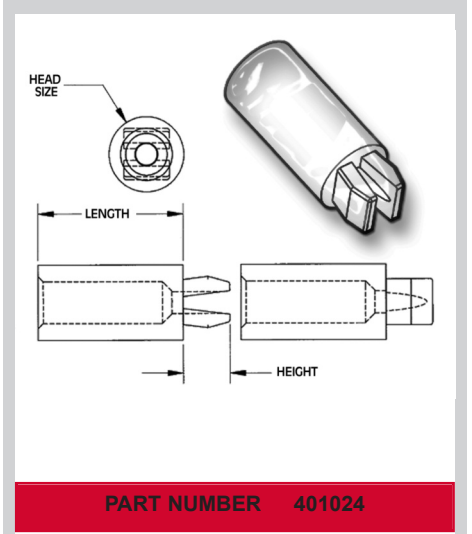
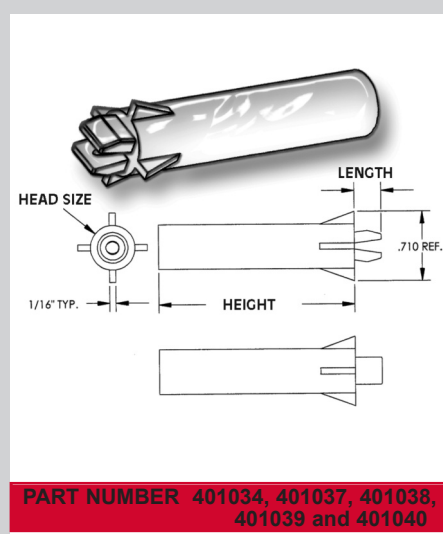
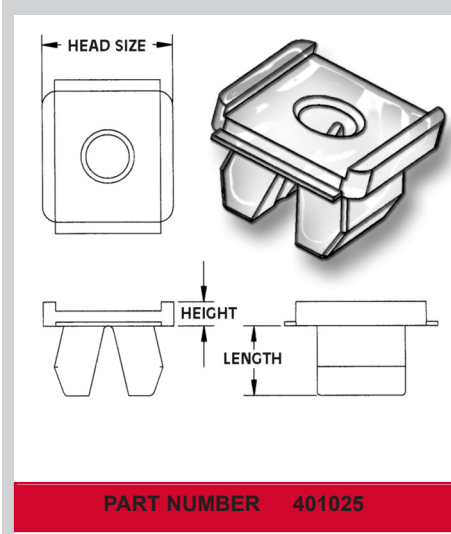
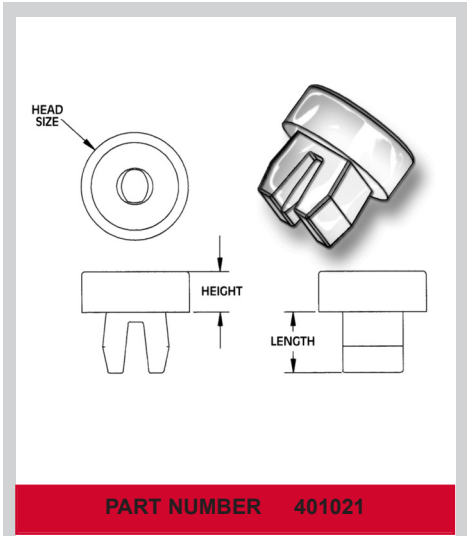
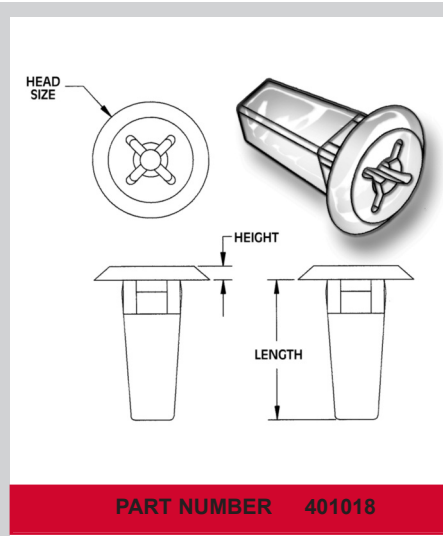
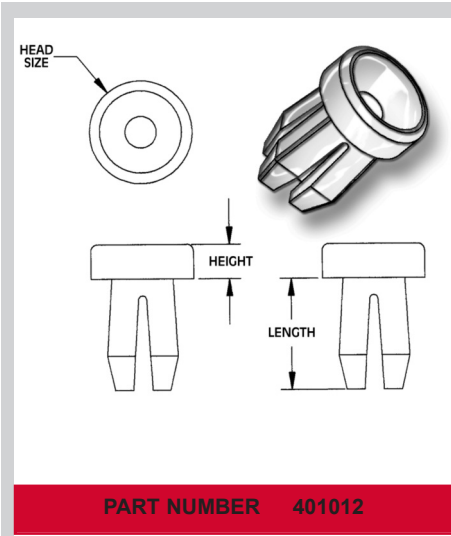
PANEL FASTENERS AND HOLE PLUGS

SECTION
VI

"SPECIAL ITEM "GROMMET NUTS

Molded in Natural Nylon 6/6

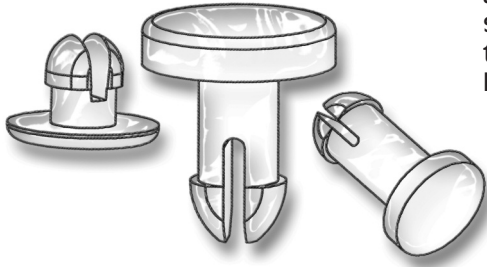
New
SIZES



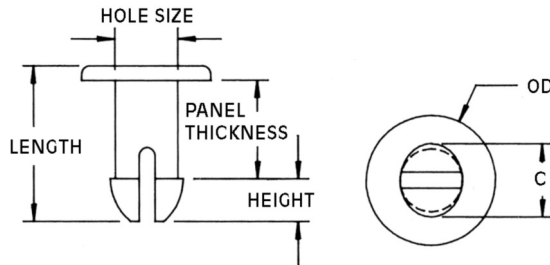
PANEL FASTENERS AND HOLE PLUGS

SECTION
VI

New
SIZES



Micro Plastics' Push-in Fasteners provide an inexpensive, fast, convenient method to join plastic, light sheet metal, insulating materials, circuit boards, or any other thin, light-weight material. They can also be used as push-in glides or as bumpers. Special designed legs provide compression and expansion to lock fastener into pre-punched holes. These fasteners are vibration, abrasion and corrosion resistant, and feature large heads for easier assembly, and can be used over and over.



PUSH-IN-FASTENERS

Molded in **Natural Nylon 6/6**

PART NUMBER	DESCRIPTION	OD	PANEL THICKNESS	HEIGHT	C	HOLE SIZE	LENGTH
27PIF0010	PIF 10	.500 (12,70)	.220 (5,59)	.110 (12,79)	.200 (5,08)	.148 (3,76)	.400 (10,16)
27PIF0011	PIF 11	13/64 (5,15)	.208 (5,28)	.083 (2,11)	.140 (3,56)	.115 (2,92)	.320 (8,13)
27PIF0012	PIF 12	.175 (4,45)	.268 (6,81)	.090 (2,29)	.140 (3,56)	.096 (2,44)	.400 (10,16)
27PIF0013	PIF 13	3/16 (4,75)	.533 (13,54)	.087 (2,21)	.130 (3,30)	.095 (2,41)	.675 (17,15)
27PIF0014	PIF 14	.248 (6,30)	.813 (20,65)	.140 (3,56)	.144 (3,66)	.110 (2,79)	1.017 (25,83)
27PIF0015	PIF 15	21/64 (8,33)	.030 (0,76)	.130 (3,30)	.162 (4,12)	.152 (3,86)	.200 (5,08)
27PIF0016	PIF 16	11/16 (17,46)	.260 (6,60)	.265 (6,73)	.355 (9,02)	.288 (7,32)	.586 (14,88)
27PIF0017	PIF 17	11/32 (8,73)	.130 (3,30)	.110 (2,80)	.200 (5,08)	.160 (4,06)	.270 (6,86)
27PIF0018	PIF 18	13/64 (5,15)	.230 (5,84)	.098 (2,49)	.156 (3,96)	.128 (3,25)	.365 (9,27)
27PIF0019	PIF 19	1/4 (6,35)	.445 (11,30)	.085 (2,16)	.145 (3,68)	.095 (2,41)	.590 (14,99)
27PIF0020	PIF 20	15/64 (5,95)	.080 (2,03)	.080 (2,03)	.180 (4,57)	.124 (3,15)	.200 (5,08)
27PIF0021	PIF 21	.186 (4,72)	.200 (5,08)	.065 (1,65)	.104 (2,64)	.080 (2,03)	.297 (7,54)
27PIF0022	PIF 22	1/2 (12,70)	.064 (1,63)	.185 (4,70)	.280 (7,11)	.243 (6,17)	.370 (9,40)
27PIF0023	PIF 23	3/16 (4,75)	.075 (1,91)	.060 (1,52)	.150 (3,81)	.120 (3,05)	.190 (4,83)
27PIF0024	PIF 24	19/32 (15,08)	.365 (9,27)	.187 (4,75)	.295 (7,49)	.245 (6,22)	.685 (17,40)
27PIF0025	PIF 25	15/64 (5,95)	1.010 (25,65)	.082 (2,08)	.164 (4,17)	.124 (3,15)	1.13 (28,70)
27PIF0026	PIF 26	15/64 (5,95)	.080 (2,03)	.070 (1,78)	.180 (4,57)	.124 (3,15)	.205 (5,21)
27PIF0027	PIF 27	3/8 (9,52)	1.062 (26,97)	.177 (4,50)	.202 (5,13)	.165 (4,19)	1.303 (28,32)
27PIF0028	PIF 28	11/32 (8,73)	.875 (22,23)	.174 (4,42)	.224 (5,69)	.175 (4,45)	1.115 (28,32)
27PIF0029	PIF 29	13/64 (5,15)	.210 (5,33)	.091 (2,31)	.179 (4,55)	.130 (3,30)	.342 (8,69)
27PIF0030	PIF 30	.135 (3,43)	.125 (3,18)	.070 (1,78)	.110 (2,79)	.089 (2,26)	.235 (5,97)
27PIF0031	PIF 31	25/64 (9,93)	.503 (12,78)	.210 (5,33)	.295 (7,49)	.230 (5,84)	1.083 (27,51)
27PIF0032	PIF 32	13/64 (5,15)	.235 (5,97)	.066 (1,68)	.145 (3,68)	.115 (2,92)	.341 (8,66)
27PIF0033	PIF 33	3/8 (9,52)	.505 (12,83)	.130 (3,30)	.200 (5,08)	.160 (4,06)	.705 (17,91)
27PIF0034	PIF 34	3/4 (19,05)	.636 (16,15)	.180 (4,57)	.220 (5,59)	.180 (4,57)	.875 (22,23)
27PIF0035	PIF 35	5/16 (7,94)	.125 (3,18)	.070 (1,78)	.110 (2,80)	.089 (2,26)	.235 (5,96)
27PIF0036	PIF 36	3/16 (4,75)	.066 (1,68)	.075 (1,91)	.100 (2,54)	.090 (2,29)	.179 (4,55)
27PIF0037	PIF 37	3/8 (9,52)	.636 (16,15)	.180 (4,57)	.220 (5,59)	.180 (4,57)	.875 (22,22)
27PIF0038*	PIF 38*	9/32 (7,14)	.063 (1,60)	.078 (1,98)	.100 (2,54)	.093 (2,36)	.165 (4,19)
27PIF0039	PIF 39	1/4 (6,35)	.115 (2,92)	.085 (2,16)	.145 (3,68)	.093 (2,36)	.240 (6,10)
27PIF0040*	PIF 40*	9/32 (7,14)	.093 (2,36)	.068 (1,72)	.105 (2,67)	.093 (2,36)	.194 (4,92)
27PIF0041*	PIF 41*	5/16 (7,94)	.121 (3,07)	.085 (2,16)	.145 (3,68)	.089 (2,26)	.246 (6,25)
27PIF0042	PIF 42	13/64 (5,15)	.190 (4,83)	.090 (2,29)	.180 (4,57)	.130 (3,30)	.320 (8,13)
27PIF0043	PIF 43	13/64 (5,15)	.156 (3,96)	.135 (3,43)	.140 (3,56)	.115 (2,92)	.320 (8,13)
27PIF0044	PIF 44	13/64 (5,15)	.135 (3,43)	.135 (3,43)	.140 (3,56)	.115 (2,92)	.295 (7,49)
27PIF0045	PIF 45	13/64 (5,15)	.235 (5,97)	.070 (1,79)	.137 (3,48)	.115 (2,92)	.345 (8,76)
27PIF0046	PIF 46	13/64 (5,15)	.250 (6,35)	.106 (2,69)	.145 (3,68)	.115 (2,92)	.395 (10,03)
27PIF0047	PIF 47	13/64 (5,15)	.121 (3,07)	.105 (2,67)	.145 (3,68)	.115 (2,92)	.260 (6,60)
27PIF0048	PIF 48	25/64 (9,93)	.315 (8,00)	.113 (2,87)	.208 (5,28)	.160 (4,06)	.488 (12,40)

PARTS WITH * HAVE NO SLOT -----"L" DIM.

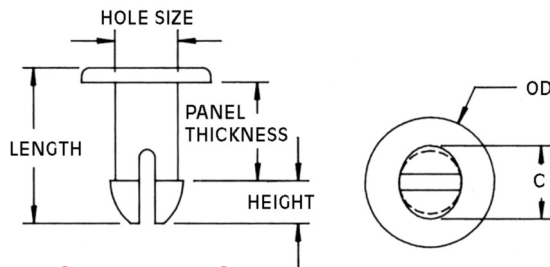
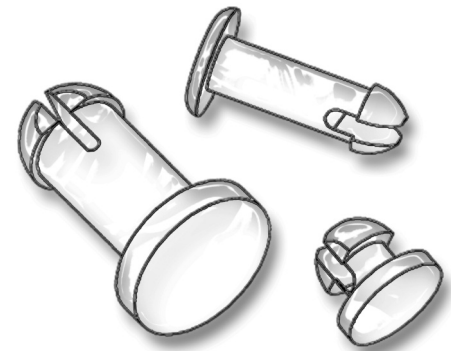


PANEL FASTENERS AND HOLE PLUGS

SECTION
VI

Micro Plastics' Push-in Fasteners provide an inexpensive, fast, convenient method to join plastic, light sheet metal, insulating materials, circuit boards, or any other thin, light-weight material. They can also be used as push-in glides or as bumpers. Special designed legs provide compression and expansion to lock fastener into pre-punched holes. These fasteners are vibration, abrasion and corrosion resistant, and feature large heads for easier assembly, and can be used over and over.

New
SIZES



PUSH-IN-FASTENERS

Molded in **Natural Nylon 6/6**

PART NUMBER	DESCRIPTION	OD	PANEL THICKNESS	HEIGHT	C	HOLE SIZE	LENGTH
27PIF0049	PIF 49	11/32 (8,73)	.450 (11,43)	.160 (4,06)	.200 (5,08)	.160 (4,06)	.680 (17,27)
27PIF0050	PIF 50	11/32 (8,73)	.125 (3,18)	.137 (3,48)	.202 (5,13)	.165 (4,19)	.305 (7,75)
27PIF0051	PIF 51	11/32 (8,73)	.065 (1,65)	.137 (3,48)	.202 (5,13)	.165 (4,19)	.325 (8,26)
27PIF0052	PIF 52	11/32 (8,73)	.556 (14,12)	.153 (3,89)	.225 (5,72)	.180 (4,57)	.780 (19,81)
27PIF0053	PIF 53	11/32 (8,73)	.242 (6,15)	.174 (4,42)	.224 (5,69)	.175 (4,45)	.490 (12,45)
27PIF0054	PIF 54	11/32 (8,73)	.197 (5,00)	.185 (4,70)	.295 (7,49)	.255 (6,48)	.415 (10,54)
27PIF0055	PIF 55	11/32 (8,73)	.555 (14,08)	.145 (3,68)	.225 (5,71)	.180 (4,57)	.770 (19,56)
27PIF0056	PIF 56	9/64 (3,56)	.315 (8,00)	.075 (1,91)	.135 (3,43)	.095 (2,41)	.450 (11,43)
27PIF0057	PIF 57	7/16 (11,10)	.120 (3,05)	.255 (6,48)	.380 (9,65)	.305 (7,74)	.445 (11,43)
27PIF0058	PIF 58	15/32 (11,90)	.121 (3,07)	.153 (3,86)	.238 (6,05)	.200 (5,08)	.324 (8,24)
27PIF0059	PIF 59	3/16 (4,75)	.145 (3,69)	.065 (1,65)	.105 (2,66)	.090 (2,29)	.255 (6,48)
27PIF0060	PIF 60	15/32 (11,90)	.156 (3,89)	.125 (3,18)	.228 (5,79)	.200 (5,05)	.333 (8,46)
27PIF0061	PIF 61	11/32 (8,73)	.368 (9,35)	.105 (2,67)	.236 (5,99)	.203 (5,16)	.540 (13,72)
27PIF0062	PIF 62	25/64 (9,93)	1.730 (43,94)	.222 (5,64)	.295 (7,49)	.230 (5,84)	2.010 (51,05)
27PIF0063	PIF 63	29/64 (11,51)	.276 (7,01)	.142 (3,61)	.295 (7,49)	.240 (6,10)	.460 (11,68)
27PIF0064	PIF 64	29/64 (11,51)	.300 (7,62)	.170 (4,32)	.298 (7,57)	.243 (6,17)	.535 (13,59)
27PIF0065	PIF 65	19/32 (15,08)	.480 (12,19)	.175 (4,45)	.293 (7,44)	.245 (6,22)	.715 (18,16)
27PIF0066	PIF 66	29/64 (11,51)	.330 (8,38)	.187 (4,75)	.295 (7,49)	.240 (6,10)	.555 (14,10)
27PIF0067	PIF 67	1/2 (12,70)	.171 (4,34)	.187 (4,75)	.295 (7,49)	.260 (6,60)	.405 (10,29)
27PIF0068	PIF 68	11/16 (17,45)	.140 (3,56)	.243 (6,17)	.360 (9,14)	.290 (7,37)	.468 (11,89)
27PIF0069*	PIF 69*	.312 (7,92)	.095 (2,41)	.075 (1,91)	.145 (3,68)	.095 (2,41)	.218 (5,54)
27PIF0070	PIF 70	19/32 (15,08)	.171 (4,34)	.187 (4,75)	.295 (7,49)	.260 (6,60)	.418 (10,62)
27PIF0071	PIF 71	19/32 (15,08)	.250 (6,35)	.187 (4,75)	.290 (7,37)	.245 (6,22)	.497 (12,62)
27PIF0072	PIF 72	19/32 (15,08)	.365 (9,27)	.187 (4,75)	.290 (7,37)	.245 (6,22)	.622 (15,80)
27PIF0073	PIF 73	11/32 (8,73)	.171 (4,34)	.187 (4,75)	.295 (7,49)	.260 (6,60)	.380 (9,65)
27PIF0074	PIF 74	19/32 (15,08)	.405 (10,29)	.160 (4,06)	.315 (8,00)	.275 (6,99)	.620 (15,75)
27PIF0075	PIF 75	1/4 (6,35)	.550 (13,97)	.135 (3,43)	.145 (3,68)	.112 (2,84)	.745 (18,92)
27PIF0076	PIF 76	15/32 (11,90)	.129 (3,28)	.148 (3,76)	.238 (6,05)	.197 (5,00)	.399 (10,13)
27PIF0077	PIF 77	15/64 (5,95)	.320 (8,13)	.084 (2,13)	.145 (3,68)	.118 (3,00)	.437 (11,10)
27PIF0078	PIF 78	13/32 (10,32)	.250 (6,35)	.100 (2,54)	.278 (7,06)	.217 (5,51)	.395 (10,03)
27PIF0079	PIF 79	9/16 (14,29)	.950 (24,13)	.174 (4,42)	.228 (5,79)	.172 (4,37)	1.20 (30,48)
27PIF0080	PIF 80	3/8 (9,53)	1.125 (28,58)	.17 (4,32)	.202 (5,13)	.165 (4,19)	1.365 (34,67)
27PIF0081	PIF 81	.343 (8,71)	.125 (3,18)	.137 (3,48)	.202 (5,13)	.165 (4,19)	.31 (7,87)
27PIF0082	PIF 82	11/16 (17,45)	.250 (6,35)	.258 (6,55)	.360 (9,14)	.290 (7,37)	.585 (14,86)
27PIF0083	PIF 83	1/2 (12,70)	.064 (1,63)	.138 (3,51)	.280 (7,11)	.243 (6,17)	.262 (6,65)
27PIF0084	PIF 84	1/2 (12,70)	.099 (2,51)	.168 (4,27)	.280 (7,11)	.245 (6,22)	.324 (8,23)
27PIF0085	PIF 85	1/2 (12,70)	.127 (3,23)	.185 (4,70)	.281 (7,14)	.241 (6,12)	.361 (9,17)

PARTS WITH * HAVE NO SLOT -----"L" DIM.



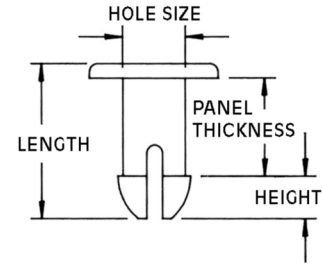
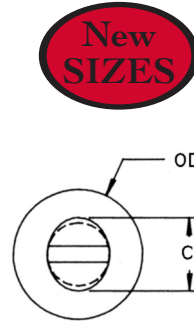
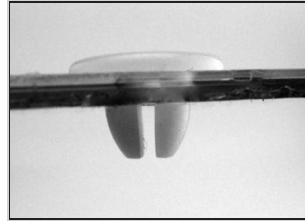
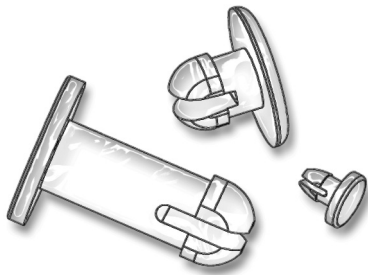
PANEL FASTENERS AND HOLE PLUGS

SECTION VI

PUSH-IN-FASTENERS

Molded in **Natural Nylon 6/6**

Micro Plastics' Push-in Fasteners provide an inexpensive, fast, convenient method to join plastic, light sheet metal, insulating materials, circuit boards, or any other thin, light-weight material. They can also be used as push-in glides or as bumpers. Special designed legs provide compression and expansion to lock fastener into pre-punched holes. These fasteners are vibration, abrasion and corrosion resistant, and feature large heads for easier assembly, and can be used over and over.



PART NUMBER	DESCRIPTION	OD	PANEL THICKNESS	HEIGHT	C	HOLE SIZE	LENGTH
27PIF0086	PIF 86	1/2 (12,70)	.156 (3,96)	.170 (4,32)	.281 (7,14)	.242 (6,15)	.380 (9,65)
27PIF0087	PIF 87	1/2 (12,70)	.189 (4,80)	.156 (3,96)	.278 (7,06)	.241 (6,12)	.395 (10,03)
27PIF0088	PIF 88	1/2 (12,70)	.219 (5,56)	.175 (4,44)	.277 (7,04)	.239 (6,07)	.445 (11,30)
27PIF0089	PIF 89	1/2 (12,70)	.250 (6,35)	.175 (4,44)	.283 (7,19)	.241 (6,12)	.487 (12,37)
27PIF0090	PIF 90	1/2 (12,70)	.281 (7,14)	.176 (4,47)	.280 (7,11)	.240 (6,10)	.513 (13,03)
27PIF0091	PIF 91	1/2 (12,70)	.314 (7,98)	.152 (3,86)	.281 (7,14)	.241 (6,12)	.520 (13,21)
27PIF0092	PIF 92	1/2 (12,70)	.345 (8,76)	.177 (4,50)	.281 (7,14)	.240 (6,10)	.578 (14,68)
27PIF0093	PIF 93	1/2 (12,70)	.375 (9,53)	.166 (4,22)	.281 (7,14)	.242 (6,15)	.609 (15,47)
27PIF0094	PIF 94	1/2 (12,70)	.405 (10,29)	.175 (4,44)	.282 (7,16)	.243 (6,17)	.638 (16,21)
27PIF0095	PIF 95	19/32 (15,08)	.130 (3,30)	.125 (3,18)	.205 (5,21)	.145 (3,68)	.305 (7,75)
27PIF0096	PIF 96	1/2 (12,70)	.466 (11,84)	.183 (4,64)	.280 (7,11)	.240 (6,10)	.701 (17,81)
27PIF0097	PIF 97	1/2 (12,70)	.498 (12,65)	.162 (4,11)	.283 (7,19)	.240 (6,10)	.713 (18,11)
27PIF0098	PIF 98	1/2 (12,70)	.438 (11,13)	.176 (4,47)	.281 (7,14)	.240 (6,10)	.672 (17,07)
27PIF0099	PIF 99	1/2 (12,70)	1.020 (25,91)	.380 (9,65)	.475 (12,07)	.360 (9,14)	1.460 (37,08)
27PIF0100	PIF 100	3/8 (9,53)	1.543 (39,19)	.205 (5,21)	.295 (7,49)	.250 (6,35)	1.875 (47,63)
27PIF0101	PIF 101	.680 (17,28)	.154 (3,91)	.255 (6,48)	.347 (8,81)	.285 (7,24)	.473 (12,01)
27PIF0102	PIF 102	.300 (7,62)	.050 (1,27)	.137 (3,48)	.202 (5,13)	.165 (4,19)	.337 (8,56)
27PIF0104	PIF 104	15/64 (0,23)	.750 (19,05)	.082 (2,08)	.164 (4,17)	.120 (3,05)	.875 (22,23)
27PIF0105	PIF 105	5/8 (15,88)	1.065 (27,05)	.360 (9,14)	.360 (9,14)	.270 (6,86)	1.50 (38,10)
27PIF0106	PIF 106	.380 (9,65)	.340 (8,64)	.180 (4,57)	.220 (5,59)	.180 (4,57)	.580 (14,73)
27PIF0107	PIF 107	.310 (7,87)	.195 (4,95)	.200 (5,08)	.200 (5,08)	.160 (4,06)	.450 (11,43)
27PIF0108	PIF 108	.155 (3,94)	.460 (11,68)	.085 (2,16)	.135 (3,43)	.093 (2,36)	.595 (15,11)
27PIF0109	PIF 109	15/64 (5,94)	.080 (2,03)	.060 (1,52)	.200 (5,08)	.160 (4,06)	.180 (4,57)
27PIF0110	PIF 110	3/16 (4,76)	.140 (3,55)	.090 (2,29)	.135 (3,43)	.090 (2,29)	.300 (7,62)
27PIF0111	PIF 111	.320 (8,13)	.130 (3,30)	.110 (2,79)	.220 (5,59)	.195 (4,95)	.290 (7,37)
27PIF0112	PIF 112	.320 (8,13)	.180 (4,57)	.110 (2,79)	.220 (5,59)	.195 (4,95)	.340 (8,64)
27PIF0113	PIF 113	.344 (8,74)	.560 (14,22)	.145 (3,68)	.224 (5,69)	.175 (4,44)	.765 (19,43)
27PIF0114*	PIF 114*	25/64 (9,93)	.440 (11,18)	.113 (2,87)	.200 (5,08)	.157 (3,99)	.613 (15,57)
27PIF0115*	PIF 115*	.200 (5,08)	.307 (7,80)	.080 (2,03)	.130 (3,30)	.090 (2,29)	.437 (11,10)
27PIF0116	PIF 116	.750 (19,05)	.320 (8,13)	.180 (4,57)	.220 (5,59)	.180 (4,57)	.559 (14,20)
27PIF0117	PIF 117	.200 (5,08)	.638 (16,21)	.080 (2,03)	.130 (3,30)	.090 (2,29)	.768 (19,51)
27PIF0118	PIF 118	1/2 (12,70)	.250 (6,35)	.187 (4,75)	.290 (7,37)	.245 (6,22)	.497 (12,62)
27PIF0119	PIF 119	3/8 (9,52)	1.062 (26,97)	.177 (4,50)	.202 (5,13)	.165 (4,19)	1.269 (32,23)
27PIF0120	PIF 120	15/64 (5,95)	.080 (2,03)	.060 (1,52)	.180 (4,57)	.124 (3,15)	.180 (4,57)
27PIF0121	PIF 121	5/16 (7,94)	.602 (15,29)	.080 (2,03)	.165 (4,19)	.120 (3,04)	.732 (18,59)
27PIF0122	PIF 122	13/64 (5,15)	.195 (4,95)	.083 (2,10)	.170 (4,31)	.120 (3,04)	.320 (8,12)
27PIF0123	PIF 123	13/64 (5,15)	.170 (4,31)	.083 (2,10)	.170 (4,31)	.120 (3,04)	.295 (7,49)

PARTS WITH * HAVE NO SLOT -----"L" DIM.

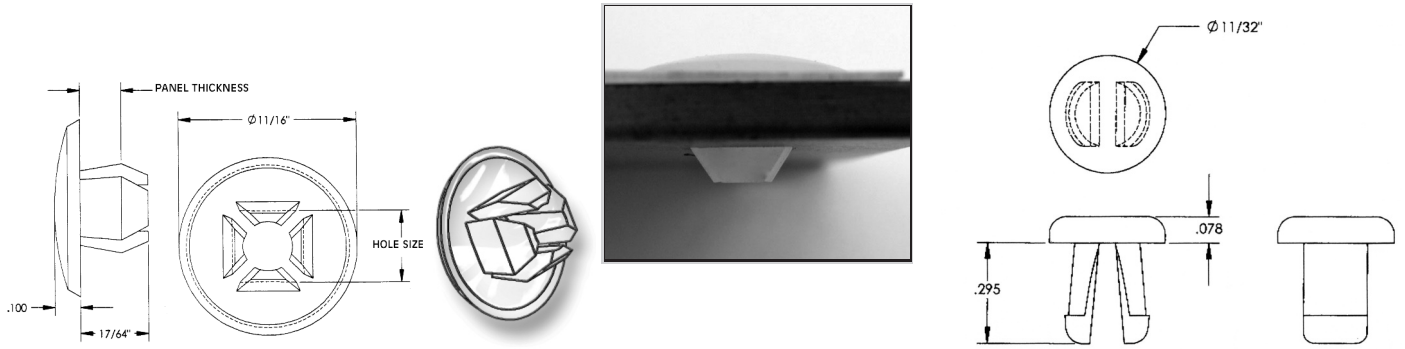


PANEL FASTENERS AND HOLE PLUGS

SECTION VI

"SPECIAL ITEM" PUSH-IN-FASTENERS

Molded in **Natural Nylon 6/6**

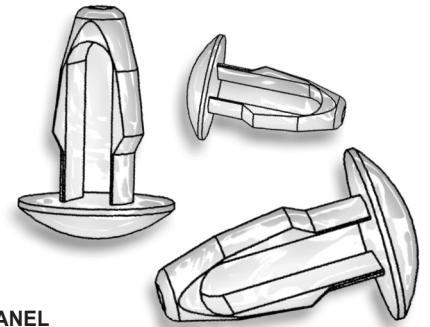


PART NUMBER	HOLE SIZE RCT	PANEL THICKNESS	PART NUMBER	HOLE SIZE RND	PANEL THICKNESS
401005	.285 (7,24) SQUARE HOLE	.156" (3,96)	401041	.192-.197 (4,88-5,00)	.093"/.203" (2,36/5,16)

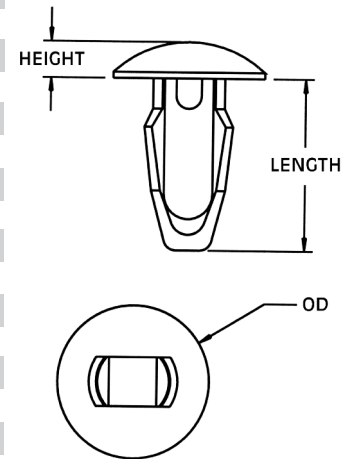
SNAP CLIPS

Molded in **Natural Acetal**

A combination of Celcon Acetal material, and a resilient body design, give these parts a positive "snap" and more definite grip when assembled into place. Designed for other hole sizes from 1/8" to 1/4" and panel thicknesses from 1/32" to 3/16".



PART NUMBER	HEIGHT	LENGTH	OD	HOLE SIZE RND	PANEL THICKNESS
27SNC1250032	.060 (1,52)	1/4 (6,35)	1/4 (6,35)	.125 (3,18)	.032 (0,81)
27SNC1250062	.060 (1,52)	9/32 (7,14)	1/4 (6,35)	.125 (3,18)	.062 (1,57)
27SNC1250093	.060 (1,52)	5/16 (7,94)	1/4 (6,35)	.125 (3,18)	.093 (2,36)
27SNC1250125	.060 (1,52)	11/32 (8,73)	1/4 (6,35)	.125 (3,18)	.125 (3,18)
27SNC1560032	.060 (1,52)	9/32 (7,14)	5/16 (7,94)	.156 (3,96)	.032 (0,81)
27SNC1560062	.060 (1,52)	5/16 (7,94)	5/16 (7,94)	.156 (3,96)	.062 (1,57)
27SNC1560093	.060 (1,52)	11/32 (8,73)	5/16 (7,94)	.156 (3,96)	.093 (2,36)
27SNC1560125	.060 (1,52)	25/64 (9,92)	5/16 (7,94)	.156 (3,96)	.125 (3,18)
27SNC1560156	.060 (1,52)	13/32 (10,32)	5/16 (7,94)	.156 (3,96)	.156 (3,96)
27SNC1870032	.060 (1,52)	5/16 (7,94)	5/16 (7,94)	.187 (4,75)	.032 (0,81)
27SNC1870062	.060 (1,52)	11/32 (8,73)	5/16 (7,94)	.187 (4,75)	.062 (1,57)
27SNC1870093	.060 (1,52)	3/8 (9,53)	5/16 (7,94)	.187 (4,75)	.093 (2,36)
27SNC1870125	.060 (1,52)	13/32 (10,32)	5/16 (7,94)	.187 (4,75)	.125 (3,18)
27SNC1870156	.060 (1,52)	7/16 (11,11)	5/16 (7,94)	.187 (4,75)	.156 (3,96)
27SNC1870187	.060 (1,52)	15/32 (11,91)	5/16 (7,94)	.187 (4,75)	.187 (4,75)
27SNC2190032	.060 (1,52)	25/64 (9,92)	11/32 (8,73)	.219 (5,56)	.032 (0,81)
27SNC2190062	.060 (1,52)	27/64 (10,72)	11/32 (8,73)	.219 (5,56)	.062 (1,57)
27SNC2190093	.060 (1,52)	29/64 (11,51)	11/32 (8,73)	.219 (5,56)	.093 (2,36)
27SNC2190125	.060 (1,52)	31/64 (12,30)	11/32 (8,73)	.219 (5,56)	.125 (3,18)
27SNC2190156	.060 (1,52)	33/64 (13,11)	11/32 (8,73)	.219 (5,56)	.156 (3,96)
27SNC2190187	.060 (1,52)	35/64 (13,89)	11/32 (8,73)	.219 (5,56)	.187 (4,75)
27SNC2500032	.060 (1,52)	13/32 (10,32)	1/2 (12,70)	.250 (6,35)	.032 (0,81)
27SNC2500062	.060 (1,52)	27/64 (10,72)	1/2 (12,70)	.250 (6,35)	.062 (1,57)
27SNC2500093	.060 (1,52)	29/64 (11,51)	1/2 (12,70)	.250 (6,35)	.093 (2,36)
27SNC2500125	.060 (1,52)	31/64 (12,30)	1/2 (12,70)	.250 (6,35)	.125 (3,18)
27SNC2500156	.060 (1,52)	33/64 (13,11)	1/2 (12,70)	.250 (6,35)	.156 (3,96)
27SNC2500187	.060 (1,52)	35/64 (13,89)	1/2 (12,70)	.250 (6,35)	.187 (4,75)



PANEL FASTENERS AND HOLE PLUGS

SECTION VI

SNAP RIVETS

Molded in **Black Nylon 6/6**

Micro Plastics' Nylon Snap Rivet is designed for assemblies requiring fast and economical fasteners that can be installed without tools. The two piece molded fastener comes assembled ready for use. The Rivet is placed in the hole and the smooth, oversized head is pressed. The specially designed legs expand and firmly lock the components permanently in place. Snap Rivets are molded in high dielectric (UL 94V2) Nylon 6/6 making them ideal for electronic applications.

- The following standard sizes are available from stock, other sizes will be tooled on request.
- Parts are stocked in black, other colors available upon request.



ITEM NUMBER	PANEL THICKNESS	HOLE SIZE RND	SHANK OD	LENGTH	HEIGHT	OD	LEG COUNT
27SR079090	.024/.047 (0,6/1,2)	.083/.087 (2,1/2,2)	.076 (1,9)	.090 (2,3)	.047 (1,2)	.165 (4,2)	2
27SR079130	.051/.079 (1,3/2,0)	.083/.087 (2,1/2,2)	.076 (1,9)	.130 (3,3)	.047 (1,2)	.165 (4,2)	2
27SR079160	.083/.110 (2,1/2,8)	.083/.087 (2,1/2,2)	.076 (1,9)	.160 (4,0)	.047 (1,2)	.165 (4,2)	2
27SR079190	.114/.142 (2,9/3,6)	.083/.087 (2,1/2,2)	.076 (1,9)	.190 (4,8)	.047 (1,2)	.165 (4,2)	2
27SR079220	.148/.170 (3,8/4,3)	.083/.087 (2,1/2,2)	.076 (1,9)	.220 (5,6)	.047 (1,2)	.165 (4,2)	2
27SR079250	.173/.197 (4,4/5,0)	.083/.087 (2,1/2,2)	.076 (1,9)	.250 (6,3)	.047 (1,2)	.165 (4,2)	2
27SR079295	.205/.225 (5,2/5,7)	.083/.087 (2,1/2,2)	.076 (1,9)	.295 (7,4)	.047 (1,2)	.165 (4,2)	2
27SR102125	.035/.080 (0,9/2,0)	.105/.109 (2,6/2,7)	.100 (2,5)	.125 (3,1)	.062 (1,5)	.203 (5,1)	4
27SR102130	.039/.079 (0,9/2,0)	.102/.106 (2,6/2,7)	.100 (2,5)	.130 (3,3)	.055 (1,4)	.197 (5,0)	2
27SR102190	.106/.142 (2,6/3,6)	.102/.106 (2,6/2,7)	.100 (2,5)	.190 (4,8)	.055 (1,4)	.197 (5,0)	2
27SR106220	.134/.169 (3,4/4,3)	.102/.106 (2,6/2,7)	.100 (2,5)	.220 (5,6)	.055 (1,4)	.197 (5,0)	2
27SR102250	.142/.198 (3,6/5,0)	.102/.106 (2,6/2,7)	.100 (2,5)	.250 (6,3)	.055 (1,4)	.197 (5,0)	2
27SR102280	.170/.229 (4,3/5,8)	.102/.106 (2,6/2,7)	.100 (2,5)	.281 (7,1)	.055 (1,4)	.197 (5,0)	2
27SR102170	.078/.118 (2,0/3,0)	.107/.111 (2,7/2,8)	.102 (2,6)	.170 (4,3)	.067 (1,7)	.203 (5,1)	4
27SR102220	.125/.156 (3,1/3,9)	.107/.111 (2,7/2,8)	.102 (2,6)	.200 (5,0)	.064 (1,9)	.201 (5,1)	4
27SR0010	.050/.100 (1,3/2,5)	.123/.127 (3,1/3,2)	.118 (3,0)	.140 (3,5)	.065 (1,6)	.254 (6,4)	4
27SR122180	.079/.118 (2,0/3,0)	.122/.126 (3,0/3,2)	.118 (3,0)	.180 (4,5)	.063 (1,6)	.252 (6,4)	2
27SR118180	.075/.120 (1,9/3,0)	.123/.127 (3,1/3,2)	.118 (3,0)	.183 (4,6)	.062 (1,5)	.245 (6,2)	2
27SR118260	.157/.197 (4,0/5,0)	.122/.126 (3,0/3,2)	.118 (3,0)	.260 (6,6)	.063 (1,6)	.252 (6,4)	2
27SR118300	.197/.236 (5,0/6,0)	.122/.126 (3,0/3,2)	.118 (3,0)	.300 (7,6)	.063 (1,6)	.252 (6,4)	2
27SR118310	.217/.256 (5,5/6,5)	.122/.126 (3,0/3,2)	.118 (3,0)	.310 (7,9)	.063 (1,6)	.252 (6,4)	2
27SR118350	.256/.295 (6,5/7,5)	.122/.126 (3,0/3,2)	.118 (3,0)	.350 (8,9)	.063 (1,6)	.252 (6,4)	2
27SR118390	.295/.335 (7,5/8,5)	.122/.126 (3,0/3,2)	.118 (3,0)	.390 (9,9)	.063 (1,6)	.252 (6,4)	2
27SR1180515	.400/.440 (10,2/11,2)	.123/.127 (3,1/3,2)	.118 (3,0)	.520 (13,2)	.068 (1,7)	.253 (6,4)	3
27SR0012	.122/.160 (3,0/4,0)	.127/.131 (3,2/3,3)	.122 (3,0)	.220 (5,6)	.065 (1,6)	.249 (6,3)	4
27SR138140	.047/.083 (1,9/2,1)	.142/.146 (3,6/3,7)	.135 (3,4)	.140 (3,5)	.063 (1,6)	.252 (6,4)	4
27SR138180	.083/.118 (2,1/3,0)	.142/.146 (3,6/3,7)	.135 (3,4)	.170 (4,3)	.063 (1,6)	.252 (6,4)	4
27SR135180	.060/.120 (1,5/3,0)	.140/.144 (3,5/3,6)	.135 (3,4)	.180 (4,6)	.061 (1,5)	.253 (6,4)	4
27SR138200	.106/.142 (2,7/3,6)	.142/.146 (3,6/3,7)	.135 (3,4)	.200 (5,0)	.063 (1,6)	.252 (6,4)	4
27SR135220	.118/.157 (3,0/4,0)	.140/.144 (3,5/3,6)	.135 (3,4)	.220 (5,6)	.060 (1,5)	.252 (6,4)	4
27SR138240	.146/.181 (3,7/4,6)	.142/.146 (3,6/3,7)	.135 (3,4)	.240 (6,1)	.063 (1,6)	.252 (6,4)	4

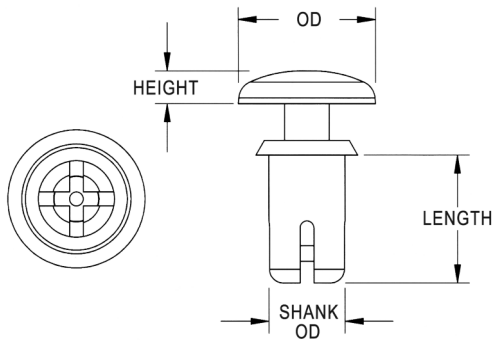
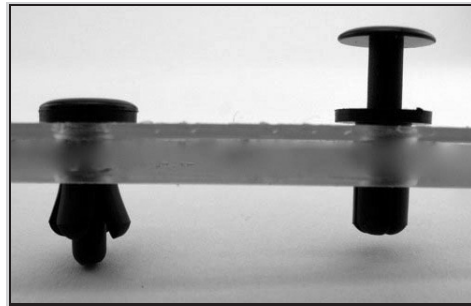
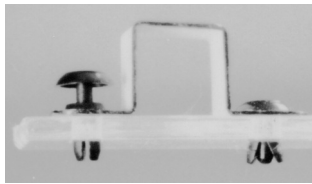


PANEL FASTENERS AND HOLE PLUGS

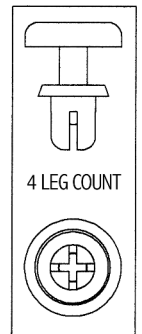
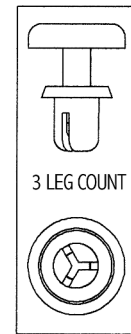
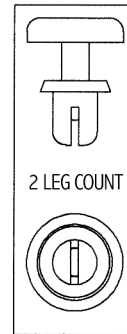
SECTION
VI

SNAP RIVETS

Molded in **Black Nylon 6/6**



New
SIZES

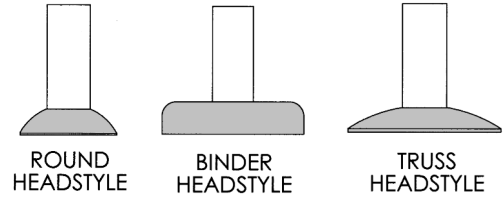
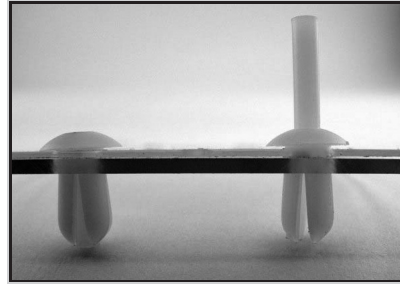
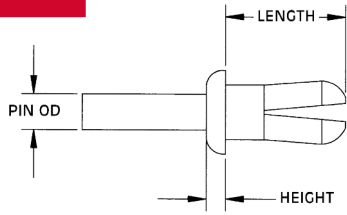


ITEM NUMBER	PANEL THICKNESS	HOLE SIZE RND	SHANK OD	LENGTH	HEIGHT	OD	LEG COUNT
27SR138280	.177/.217 (4,5/5,5)	.142/.146 (3,6/3,7)	.135 (3,4)	.280 (7,1)	.063 (1,6)	.252 (6,4)	4
27SR138310	.217/.256 (5,5/6,5)	.142/.146 (3,6/3,7)	.135 (3,4)	.310 (7,9)	.063 (1,6)	.252 (6,4)	4
27SR0018	.100/.140 (2,5/3,5)	.160/.164 (4,0/4,1)	.155 (3,9)	.200 (5,0)	.082 (2,0)	.316 (8,0)	2
27SR0020	.144/.188 (3,5/4,5)	.160/.164 (4,0/4,1)	.155 (3,9)	.240 (6,0)	.078 (1,9)	.317 (8,0)	2
27SR157475	.335/.408 (8,5/10,4)	.161/.165 (4,1/4,2)	.156 (4,0)	.475 (12,1)	.071 (1,8)	.315 (8,0)	4
27SR1660240	.050/.180 (1,2/4,5)	.162/.166 (4,1/4,2)	.157 (4,0)	.236 (5,9)	.081 (2,0)	.375 (9,5)	2
27SR157275	.175/.215 (4,5/5,5)	.162/.166 (4,1/4,2)	.157 (4,0)	.284 (7,2)	.084 (2,1)	.318 (8,0)	4
27SR157315	.148/.188 (3,8/4,8)	.162/.166 (4,1/4,2)	.157 (4,0)	.315 (8,0)	.083 (2,1)	.315 (8,0)	4
27SR157350	.256/.295 (6,5/7,5)	.161/.165 (4,1/4,2)	.157 (4,0)	.350 (8,9)	.071 (1,8)	.317 (8,1)	4
27SR157390	.295/.335 (7,5/8,5)	.161/.165 (4,1/4,2)	.157 (4,0)	.390 (9,9)	.071 (1,8)	.317 (8,7)	4
27SR157290	.290/.330 (7,4/8,4)	.162/.166 (4,1/4,2)	.157 (4,0)	.395 (10,0)	.083 (2,1)	.317 (8,0)	4
27SR160475	.354/.413 (8,9/10,4)	.161/.165 (4,1/4,2)	.157 (4,0)	.470 (11,9)	.071 (1,8)	.317 (8,7)	4
27SR1600315	.100/.250 (2,5/6,4)	.165/.169 (4,2/4,3)	.160 (4,0)	.315 (8,0)	.034 (0,8)	.278 (7,0)	4
27SR1660400	.250/.265 (6,3/6,7)	.170 (4,3)	.165 (4,2)	.410 (10,4)	.079 (2,0)	.370 (9,4)	4
27SR1660265	.170/.210 (4,3/5,3)	.171/.175 (4,3/4,4)	.166 (4,2)	.265 (6,7)	.084 (2,1)	.315 (8,0)	2
27SR180530	.250/.437 (6,3/11,1)	.187/.191 (4,7/4,8)	.182 (4,6)	.530 (13,4)	.098 (2,4)	.356 (9,0)	4
27SR197180	.059/.098 (1,5/2,5)	.201/.205 (5,1/5,2)	.195 (4,9)	.180 (4,5)	.087 (2,2)	.350 (8,9)	4
27SR197220	.098/.138 (2,5/3,5)	.201/.205 (5,1/5,2)	.195 (4,9)	.220 (5,6)	.087 (2,2)	.350 (8,9)	4
27SR197260	.105/.170 (2,7/4,3)	.201/.205 (5,1/5,2)	.195 (4,9)	.260 (6,6)	.087 (2,2)	.350 (8,9)	4
27SR200330	.138/.177 (3,5/4,5)	.201/.205 (5,1/5,2)	.195 (4,9)	.330 (8,4)	.087 (2,2)	.350 (8,9)	4
27SR197410	.295/.335 (7,5/8,5)	.201/.205 (5,1/5,2)	.195 (4,9)	.410 (10,4)	.087 (2,2)	.350 (8,9)	4
27SR1970330	.217/.256 (5,5/6,5)	.202/.206 (5,1/5,2)	.197 (5,0)	.330 (8,4)	.085 (2,1)	.356 (9,0)	4
27SR2000370	.230/.300 (5,8/7,6)	.203/.207 (5,1/5,2)	.198 (5,0)	.368 (9,4)	.095 (2,4)	.352 (8,9)	4
27SR0030	.160/.200 (4,0/5,0)	.205/.209 (5,2/5,3)	.200 (5,0)	.280 (7,0)	.064 (1,9)	.350 (8,0)	4
27SR236240	.098/.157 (2,4/4,0)	.240/.244 (6,1/6,2)	.236 (5,9)	.240 (6,1)	.098 (2,4)	.475 (12,1)	4
27SR236310	.138/.217 (3,5/5,5)	.240/.244 (6,1/6,2)	.236 (6,0)	.310 (7,9)	.118 (3,0)	.472 (12,0)	4
27SR2400187	.031/.062 (0,7/1,5)	.248/.252 (6,3/6,4)	.240 (6,1)	.187 (5,0)	.120 (3,0)	.440 (11,1)	4
27SR2400250	.062/.125 (1,5/3,1)	.248/.252 (6,3/6,4)	.240 (6,1)	.250 (6,3)	.120 (3,0)	.440 (11,1)	4
27SR2400312	.125/.187 (3,1/4,7)	.248/.252 (6,3/6,4)	.240 (6,1)	.312 (7,9)	.120 (3,0)	.440 (11,1)	4
27SR2400375	.187/.250 (4,7/6,3)	.248/.252 (6,3/6,4)	.240 (6,1)	.375 (9,5)	.120 (3,0)	.440 (11,1)	4
27SR2400500	.250/.375 (6,3/9,5)	.248/.252 (6,3/6,4)	.240 (6,1)	.500 (12,7)	.120 (3,0)	.440 (11,1)	4



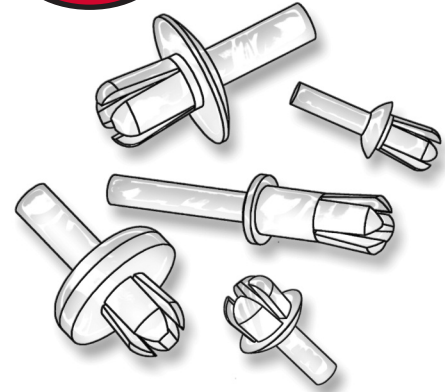
PANEL FASTENERS AND HOLE PLUGS

SECTION VI



Micro Plastics' Poly Rivets are one-piece nylon blind rivets that offer a fast economical, permanent, fastener that can be used in a wide variety of materials including sheet metal, plastic sheets, fiberglass, P.C. boards and composites. Fast, easy installation can be made without tools from one side of the work piece. The rivet is inserted in a pre-punched hole and the drive pin is forced into the specially designed legs, with a drive rivet tool, which expand and securely locks the assembled components in place. The versatile Poly Rivet provides a secure joint even under extreme vibration conditions while it electrically insulates and resists corrosion and cathodic transfer. The following are some of the more common sizes available. Because of Micro Plastics' unique tooling approach, designs can be varied over a wide range: diameter, head style and lengths can be adjusted to meet your requirements. Let us know what you need.

**New
SIZES**



POLY DRIVE RIVETS

Molded in **Natural Nylon 6/6**

PART NUMBER	HOLE SIZE RND	PANEL THICKNESS	HEAD	OD	HEIGHT	LENGTH	PIN OD
61PR100000	.218 (5,54)	.093/.350 (2,36/9,53)	Round	.380 (9,65)	.080 (2,03)	.450 (11,43)	.120 (3,05)
61PR100100	.156 (3,96)	.187/.250 (4,75/6,35)	Binder	.218 (5,54)	.050 (1,27)	.312 (7,92)	.093 (2,36)
61PR100200	.218 (5,54)	.094/.312 (2,39/7,92)	Binder	.437 (11,10)	.100 (2,54)	.464 (11,79)	.125 (3,18)
61PR100300	.156 (3,96)	.218/.312 (5,54/7,92)	Binder	.218 (5,54)	.050 (1,27)	.359 (9,12)	.093 (2,36)
61PR100400	.187 (4,75)	.062/.187 (1,57/4,75)	Truss	.281 (7,14)	.050 (1,27)	.296 (7,52)	.125 (3,18)
61PR100500	.226 (5,74)	.125/.312 (3,18/7,92)	Truss	.376 (9,55)	.080 (2,03)	.467 (11,86)	.120 (3,05)
61PR100800	.156 (3,96)	.218/.383 (5,54/9,73)	Binder	.218 (5,54)	.050 (1,27)	.421 (10,69)	.093 (2,36)
61PR200000	.187 (4,75)	.156/.281 (3,96/7,14)	Truss	.435 (11,05)	.075 (1,91)	.380 (9,65)	.125 (3,18)
61PR200100	.187 (4,75)	.062/.125 (1,57/3,18)	Binder	.430 (10,92)	.120 (3,05)	.216 (5,49)	.125 (3,18)
61PR200200	.187 (4,75)	.125/.187 (3,18/4,75)	Truss	.435 (11,05)	.075 (1,91)	.281 (7,14)	.125 (3,18)
61PR200300	.187 (4,75)	.062/.187 (1,57/4,75)	Truss	.435 (11,05)	.075 (1,91)	.285 (7,24)	.125 (3,18)
61PR200800	.187 (4,75)	.031/.200 (0,79/5,08)	Round	.275 (6,98)	.075 (1,91)	.295 (7,49)	.125 (3,18)
61PR300000	.187 (4,75)	.312/.440 (7,92/11,18)	Binder	.281 (7,14)	.075 (1,91)	.535 (13,59)	.125 (3,18)
61PR300100	.187 (4,75)	.062/.187 (1,57/4,75)	Round	.281 (7,14)	.075 (1,91)	.295 (7,49)	.125 (3,18)
61PR300200	.187 (4,75)	.062/.125 (1,57/3,18)	Round	.281 (7,14)	.075 (1,91)	.230 (5,84)	.125 (3,18)
61PR300300	.187 (4,75)	.078/.375 (1,98/9,53)	Round	.281 (7,14)	.047 (1,19)	.450 (11,43)	.125 (3,18)
61PR300400	.187 (4,75)	.312/.440 (7,92/11,18)	Round	.320 (8,13)	.109 (2,77)	.535 (13,59)	.125 (3,18)
61PR300500	.187 (4,75)	.375/.500 (9,53/12,70)	Binder	.281 (7,14)	.080 (2,03)	.625 (15,88)	.125 (3,18)
61PR300600	.187 (4,75)	.078/.375 (1,98/9,50)	Round	.320 (8,13)	.109 (2,77)	.455 (11,56)	.125 (3,18)
61PR300900	.275 (6,99)	.062/.600 (1,57/15,24)	Round	.370 (9,40)	.080 (2,03)	.640 (16,26)	.150 (3,81)
61PR300700	.187 (4,75)	.375/.500 (9,53/12,70)	Round	.320 (8,13)	.109 (2,77)	.609 (15,47)	.125 (3,18)
* 61PR300800	.187 (4,75)	.375/.750 (9,53/19,05)	Binder	.320 (8,13)	.115 (2,92)	.850 (21,59)	.125 (3,18)
61PR400000	.250 (6,35)	.350/.500 (8,89/12,70)	Binder	.468 (11,89)	.080 (2,03)	.620 (15,75)	.150 (3,81)
61PR400100	.250 (6,35)	.350/.500 (8,89/12,70)	Round	.370 (9,40)	.080 (2,03)	.620 (15,75)	.150 (3,81)
61PR400200	.250 (6,35)	.156/.330 (3,96/8,38)	Binder	.468 (11,89)	.080 (2,03)	.375 (9,53)	.155 (3,94)
61PR400300	.250 (6,35)	.093/.312 (2,36/7,92)	Binder	.468 (11,89)	.080 (2,03)	.500 (12,70)	.150 (3,81)
61PR400600	.187 (4,75)	.078/.375 (1,98/9,53)	Binder	.312 (7,92)	.062 (1,57)	.445 (11,30)	.125 (3,18)
61PR400700	.245 (6,22)	.140/.550 (3,56/13,99)	Round	.375 (9,53)	.100 (2,54)	.625 (15,88)	.150 (3,81)
61PR400800	.250 (6,35)	.125/.437 (3,18/11,10)	Binder	.468 (11,89)	.080 (2,03)	.585 (14,86)	.150 (3,81)

*61PR300800 WILL NOT WORK WITH DRIVE RIVET INSERTION TOOLS.



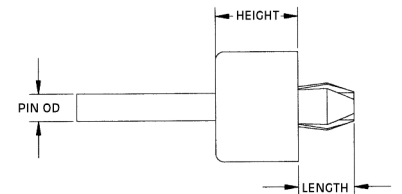
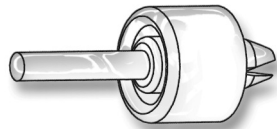
PANEL FASTENERS AND HOLE PLUGS

SECTION
VI

POLY DRIVE RIVETS

Molded in **Natural Nylon 6/6**

PART NUMBER	HOLE SIZE RND	PANEL THICKNESS	HEAD	OD	HEIGHT	LENGTH	PIN OD
61PR400900	.250 (6,35)	.078/.275 (1,98/6,99)	Button	.494 (12,55)	.305 (7,75)	.375 (9,53)	.155 (3,94)
61PR500500	.227 (5,77)	.031/.062 (0,79/1,57)	Button	.375 (9,53)	.223 (5,66)	.170 (4,32)	.125 (3,18)
61PR600000	.182 (4,62)	.130/.290 (3,30/7,37)	Truss	.280 (7,11)	.050 (1,27)	.380 (9,65)	.120 (3,05)
61PR600100	.160 (4,06)	.062/.180 (1,57/4,57)	Round	.295 (7,49)	.050 (1,27)	.230 (5,84)	.093 (2,36)
61PR700100	.187 (4,75)	.156/.281 (3,96/7,14)	Truss	.437 (11,10)	.075 (1,91)	.380 (9,65)	.125 (3,18)
61PR700200	.187 (4,75)	.062/.187 (1,57/4,75)	Truss	.437 (11,10)	.075 (1,91)	.295 (7,49)	.125 (3,18)
61PR700300	.226 (5,74)	.125/.312 (3,18/7,92)	Truss	.437 (11,10)	.075 (1,91)	.468 (11,43)	.125 (3,18)
61PR700900	.250 (6,35)	.062/.125 (1,57/3,18)	Round	.370 (9,40)	.080 (2,03)	.218 (5,54)	.125 (3,18)
61PR800000	.250 (6,35)	.093/.312 (2,36/7,92)	Truss	.468 (11,89)	.080 (2,03)	.500 (12,70)	.150 (3,81)
61PR800100	.250 (6,35)	.281/.500 (7,14/12,70)	Truss	.468 (11,89)	.080 (2,03)	.620 (15,75)	.150 (3,81)
61PR800300	.250 (6,35)	.109/.156 (2,77/3,96)	Round	1/2 (12,70)	5/16 (7,94)	3/8 (9,53)	.155 (3,94)
61PR900000	.125 (3,18)	.031/.140 (0,79/3,56)	Round	.187 (4,75)	.047 (1,19)	.190 (4,83)	.075 (1,91)
61PR900100	.130 (3,30)	.031/.140 (0,79/3,56)	Round	.218 (5,54)	.060 (1,52)	.225 (5,72)	.075 (1,91)
61PR010000	.218 (5,54)	.187/.250 (4,75/6,35)	Truss	.375 (9,53)	.080 (2,03)	.343 (8,71)	.120 (3,05)
61PR010100	.275 (6,99)	.093/.350 (2,36/8,89)	Binder	.620 (15,75)	.109 (2,77)	.480 (12,19)	.150 (3,81)
61PR010200	.280 (7,11)	.062/.350 (1,57/8,89)	Truss	.485 (12,32)	.075 (1,91)	.468 (11,89)	.187 (4,75)
61PR010300	.250 (6,35)	.093/.312 (2,36/7,92)	Binder	.625 (15,88)	.109 (2,77)	.485 (12,31)	.150 (3,81)
61PR010400	.250 (6,35)	.281/.500 (7,14/12,70)	Binder	.615 (15,62)	.109 (2,77)	.620 (15,75)	.150 (3,81)
61PR010500	.290 (7,37)	.093/.187 (2,37/4,75)	Binder	.620 (15,75)	.109 (2,77)	.300 (7,62)	.150 (3,81)
61PR010600	.160 (4,06)	.218/.312 (5,54/7,92)	Binder	.375 (9,53)	.050 (1,27)	.355 (8,89)	.093 (2,36)
61PR010110	.226 (5,74)	.125/.312 (3,18/7,92)	Round	.375 (9,53)	.080 (2,03)	.468 (11,43)	.120 (3,05)
61PR010210	.187 (4,75)	.062/.187 (1,57/4,75)	Round	.375 (9,53)	.080 (2,03)	.295 (7,49)	.125 (3,18)
61PR010310	.187 (4,75)	.156/.281 (3,96/7,14)	Round	.375 (9,53)	.080 (2,03)	.380 (9,65)	.125 (3,18)
61PR010410	.187 (4,75)	.062/.187 (1,57/4,75)	Round	.375 (9,53)	.080 (2,03)	.281 (7,14)	.125 (3,18)
61PR010510	.215 (5,46)	.078/.300 (1,98/7,62)	Truss	.630 (16,00)	.080 (2,03)	.415 (10,54)	.120 (3,05)

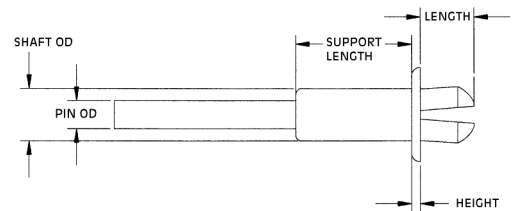
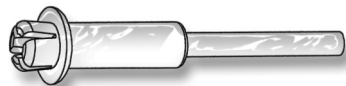


POLY DRIVE RIVET MOUNTING FEET

Molded in **Natural Nylon 6/6**

PART NUMBER	HOLE SIZE RND	PANEL THICKNESS	HEAD	OD	HEIGHT	LENGTH	PIN OD
61PMF10000*	.280 (7,11)	.061/.187 (1,55/4,75)	Foot	.760 (19,30)	.570 (14,48)	.385 (9,78)	.187 (4,75)
61PSS40000	.250 (6,35)	.030/.125 (0,76/3,18)	Foot	.375 (9,53)	.500 (12,70)	.238 (6,05)	.150 (3,81)

* Low Density Polyethylene Material.



POLY DRIVE RIVET SUPPORTS

Molded in **Natural Nylon 6/6**

PART NUMBER	HOLE SIZE RND	PANEL THICKNESS	HEAD	OD	HEIGHT	LENGTH	PIN OD	SUPPORT LENGTH	SHAFT OD
61PSS10000	.187 (4,75)	.030/.125 (0,76/3,18)	Support	.325 (8,26)	.030 (0,76)	.200 (5,08)	.097 (2,46)	.400 (10,16)	.180 (4,57)
61PSS20000	.250 (6,35)	.030/.125 (0,76/3,18)	Support	13/32 (10,31)	.047 (1,19)	.187 (4,75)	.125 (3,18)	.703 (17,86)	.240 (6,10)



PANEL FASTENERS AND HOLE PLUGS

SECTION VI

DRIVE RIVET INSERTION TOOLS

Micro Plastics' tough, lightweight drive rivet insertion tool makes the assembly of our polyrivets even more economical. This tool provides a faster assembly, more accurate placement and positions in hard to reach areas. Large plunger head and easy-grip handle reduce operator fatigue. Rivets do not have to be predriven. In use, the rivet is loaded in tool and inserted in prepared hole, pressure on the plunger frees the pin and expands the rivet in the assembly. Three sizes are available to cover all standard drive rivets.

- **TOOLS ARE COLOR CODED FOR IDENTIFICATION**

ITEM NUMBER	PIN OD	COLOR
61PRT0075	.075 (1,91)	RED
61PRT0093	.093 (2,36)	BLACK
61PRT0125	.125 (3,18)	YELLOW
61PRT0150	.150 (3,81)	GREEN



PNEUMATIC DRIVE RIVET INSERTION TOOL

- **BOOST PRODUCTIVITY**
- **IMPROVE QUALITY**
- **INCREASE COST CONTROL ON YOUR ASSEMBLY OPERATIONS**

The Pneumatic Drive Rivet Tool is especially suited for hard to reach or delicate assemblies encountered on all kinds of mechanical and electrical components, appliances, P.C. board assemblies, relays, switches, controls, etc.

The durable, lightweight alloy insert tool weighs only 22 ounces and features an easy-grip, non-slip, straight case for single hand fatigue free operation and is equipped with a suspension bail for overhead connections on bench type precision assemblies. The insert tool can be safely used in all positions.

In operation the rivet is loaded in the tool and inserted in the prepared hole, slight pressure activates the pneumatic switch and the rivet is driven into the assembly effortlessly.

RIVETS NEED NOT BE PREDRIVEN.

Tool is designed to use standard shop air, operating pressure range is 50 to 70 PSI with instant cycling time. One tool will drive all standard rivet sizes, three interchangeable driver attachments are included. Mandrel sizes are .075, .125 and .150

UNIQUE, PRECISION TOOL DESIGNED TO EFFICIENTLY ASSEMBLE ALL NYLON DRIVE RIVETS AND MOST ONE-PIECE METAL EXPANSION RIVETS.



COVERED BY U.S. / FOREIGN PATENTS

ITEM NUMBER	DESCRIPTION
61PPRT100	PNEUMATIC RIVET INSERT TOOL (WITH 3 DRIVER ATTACHMENTS)

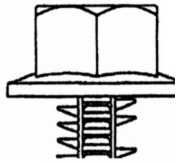
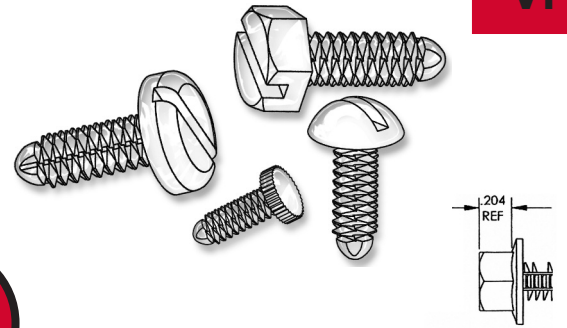
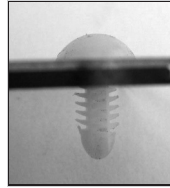
PANEL FASTENERS AND HOLE PLUGS

SECTION
VI

SPIN CLIPS

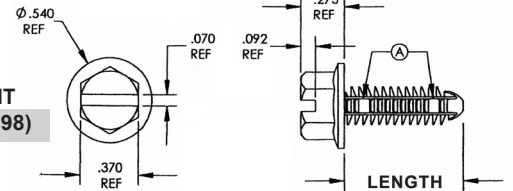
Molded in Natural Nylon 6/6

This design combines the advantages of a push-in type fastener with a screw. For fast assembly, the part can be pushed into a 1/4-20 threaded hole, and then screwed in for a tighter fit, or screwed out for disassembly. This part will also function as a standard Fin Clip

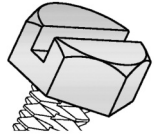


for use in a unthreaded hole with a diameter of approximately 13/64"

Slotted HEX FLANGE

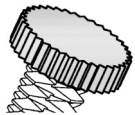
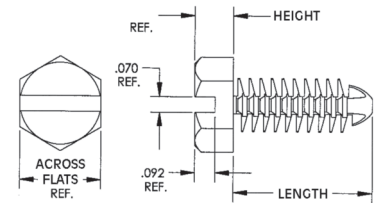


PART NUMBER	SCREW SIZE	LENGTH	HOLE SIZE RND	ACROSS FLATS	HEIGHT
27SC2520HW075	1/4	3/4"	.203 (5,16)	.370 (3,48)	.275 (6,98)



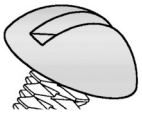
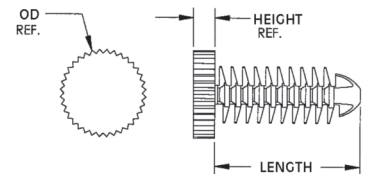
Slotted HEX

PART NUMBER	SCREW SIZE	LENGTH	HOLE SIZE RND	ACROSS FLATS	HEIGHT
27SC2520H037	1/4	3/8"	.203 (5,16)	.370 (3,48)	.175 (4,45)
27SC2520H050	1/4	1/2"	.203 (5,16)	.370 (3,48)	.175 (4,45)
27SC2520H062	1/4	5/8"	.203 (5,16)	.370 (3,48)	.175 (4,45)
27SC2520H075	1/4	3/4"	.203 (5,16)	.370 (3,48)	.175 (4,45)
27SC2520H100	1/4	1"	.203 (5,16)	.370 (3,48)	.175 (4,45)



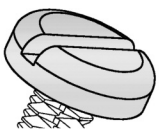
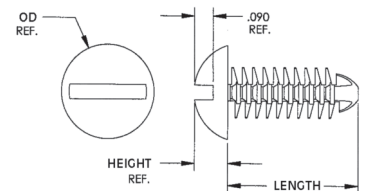
Unslotted KNURLED

PART NUMBER	SCREW SIZE	LENGTH	HOLE SIZE RND	OD	HEIGHT
27SC2520K037	1/4	3/8"	.203 (5,16)	.375 (9,53)	.093 (2,36)
27SC2520K050	1/4	1/2"	.203 (5,16)	.375 (9,53)	.093 (2,36)
27SC2520K062	1/4	5/8"	.203 (5,16)	.375 (9,53)	.093 (2,36)
27SC2520K075	1/4	3/4"	.203 (5,16)	.375 (9,53)	.093 (2,36)
27SC2520K100	1/4	1"	.203 (5,16)	.375 (9,53)	.093 (2,36)



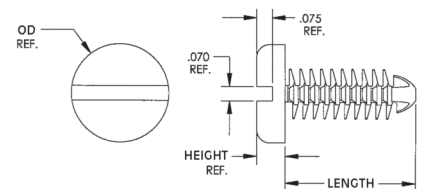
Slotted ROUND

PART NUMBER	SCREW SIZE	LENGTH	HOLE SIZE RND	OD	HEIGHT
27SC2520R037	1/4	3/8"	.203 (5,16)	.450 (11,43)	.160 (4,06)
27SC2520R050	1/4	1/2"	.203 (5,16)	.450 (11,43)	.160 (4,06)
27SC2520R062	1/4	5/8"	.203 (5,16)	.450 (11,43)	.160 (4,06)
27SC2520R075	1/4	3/4"	.203 (5,16)	.450 (11,43)	.160 (4,06)
27SC2520R100	1/4	1"	.203 (5,16)	.450 (11,43)	.160 (4,06)



Slotted PAN

PART NUMBER	SCREW SIZE	LENGTH	HOLE SIZE RND	OD	HEIGHT
27SC2520P037	1/4	3/8"	.203 (5,16)	.475 (12,07)	.137 (3,47)
27SC2520P050	1/4	1/2"	.203 (5,16)	.475 (12,07)	.137 (3,47)
27SC2520P062	1/4	5/8"	.203 (5,16)	.475 (12,07)	.137 (3,47)
27SC2520P075	1/4	3/4"	.203 (5,16)	.475 (12,07)	.137 (3,47)
27SC2520P100	1/4	1"	.203 (5,16)	.475 (12,07)	.137 (3,47)



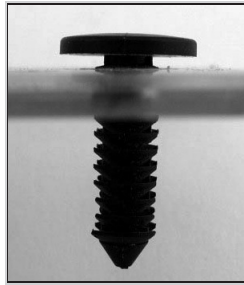
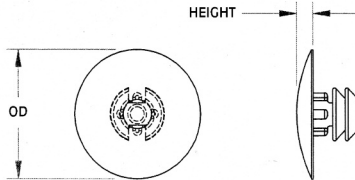
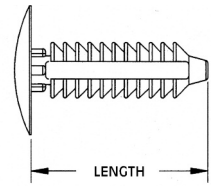
PANEL FASTENERS AND HOLE PLUGS

SECTION VI

RATCHET FASTENERS

Molded in **BLACK** Nylon 6/6

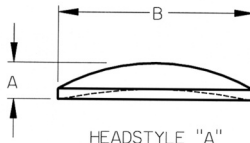
Micro Plastics' Ratchet Fasteners are designed to provide an economical fastening method over a wide range of panel thicknesses and materials. The installation assures a quick assembly and a strong and reliable finished product.



New SIZES



RATCHET FASTENERS ARE PACKAGED 1000 PCS. PER BAG
PARTS MUST BE PURCHASED IN PACKAGED QUANTITIES.



PART NUMBER	HOLE SIZE RND.	PANEL THICKNESS	HEADSTYLE	OD	HEIGHT	LENGTH
27RT160400	.160 (4,06)	.040/.250 (1,01/6,35)	"B"	.359 (9,11)	.060 (1,52)	.426 (10,82)
27RT187310	.187 (4,75)	.030/.150 (0,76/3,81)	"B"	.445 (11,30)	.068 (1,73)	.300 (7,62)
27RT187470	.187 (4,75)	.030/.330 (0,76/8,38)	"B"	.442 (11,22)	.068 (1,73)	.470 (11,93)
27RT187675	.187 (4,75)	.030/.512 (0,76/13,00)	"B"	7/16 (11,11)	.070 (1,78)	.680 (17,27)
27RT187500	.187 (4,75)	.025/.365 (0,64/9,27)	"A"	.375 (9,53)	.070 (1,78)	.500 (12,70)
27RT187550	.187 (4,75)	.030/.330 (0,76/8,38)	"B"	.442 (11,22)	.068 (1,73)	.562 (14,27)
27RT187640	.187 (4,75)	.125/.365 (3,18/9,27)	"D"	7/16 (11,11)	.070 (1,78)	.640 (16,26)
27RT187680	.187 (4,75)	.030/.512 (0,76/13,00)	"D"	.492 (12,50)	.067 (1,70)	.680 (17,27)
*27RT187700PPB	.187 (4,75)	.125/.450 (3,18/11,43)	"C"	.300 (7,22)	.065 (1,65)	.700 (17,78)
27RT250425	.250 (6,35)	.020/.218 (0,50/5,53)	"A"	.720 (18,29)	.098 (2,48)	.425 (10,80)
27RT250425A	.250 (6,35)	.020/.218 (0,50/5,53)	"A"	.433 (11,00)	.039 (0,99)	.425 (10,80)
27RT250440	.250 (6,35)	.105/.300 (2,67/7,62)	"A"	.700 (17,78)	.100 (2,54)	.437 (11,10)
27RT250800	.250 (6,35)	.150/.535 (3,81/13,59)	"A"	.700 (17,78)	.095 (2,54)	.800 (20,32)
27RT250810	.250 (6,35)	.150/.535 (3,81/13,59)	"A"	.495 (12,57)	.074 (1,88)	.783 (19,89)
27RT250900	.250 (6,35)	.062/.480 (1,57/12,19)	"D"	.492 (12,50)	.067 (1,70)	.787 (19,99)
27RT281975	.281 (7,13)	.170/.770 (4,32/19,56)	"A"	.695 (17,65)	.090 (2,29)	.975 (24,77)
27RT2811000	.281 (7,13)	.084/.500 (2,13/12,70)	"A"	.625 (15,87)	.110 (2,79)	.890 (22,61)

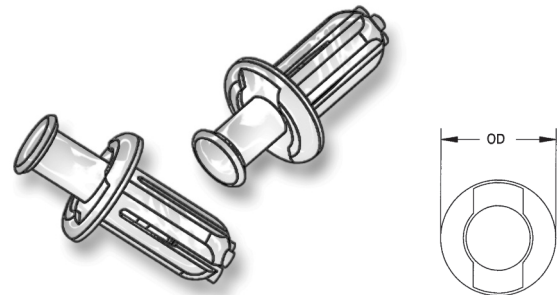
* PART MOLDED IN BLACK POLYPROPYLENE * HEAD WILL HAVE A TEXTURED FINISH * BULK PACKAGING

TWO-PIECE REMOVABLE RIVETS

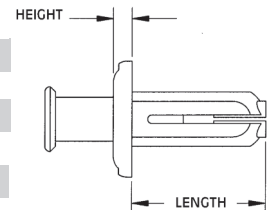
Molded in **Natural** Nylon 6/6

Removable rivets are two-piece nylon rivets which can be removed by retracting the pin, and then the body. The body incorporates a slot in line with the pin so that the pin can be removed by inserting a small screw driver, other sharp edge, or even a fingernail underneath the head of the pin.

* In addition to working in a .250 round hole, part number 61RR250500, will also fit the .210"/.218" square hole found in the "darling" type shelf commonly used in retail stores.



PART NUMBER	OD	HEIGHT	LENGTH	HOLE SIZE	PANEL THICKNESS
61RR188062	3/8 (9,53)	.07 (1,78)	1/2 (12,70)	.188 (4,78)	1/16 (1,59)
61RR188125	3/8 (9,53)	.07 (1,78)	1/2 (12,70)	.188 (4,78)	1/8 (3,18)
* 61RR250500	7/16 (11,11)	.07 (1,78)	1/2 (12,70)	.250 (6,35)	1/16 (1,59)
61RR250125	7/16 (11,11)	.07 (1,78)	1/2 (12,70)	.250 (6,35)	1/8 (3,18)
61RR250188	7/16 (11,11)	.07 (1,78)	1/2 (12,70)	.250 (6,35)	3/16 (4,76)



PANEL FASTENERS AND HOLE PLUGS

SECTION
VI

SPECIAL ITEM XMAS TREE TYPE CLIPS

Molded in **BLACK Nylon 6/6**

Micro Plastics Special Item xmas tree type clips are molded in corrosion, abrasion, and vibration resistant Nylon 6/6. Parts fit a variety of hole sizes and panel thicknesses. Clips can be used in blind hole applications.

New SIZE

Hole Size .120/.130 (3,04/3,30)
Panel Thickness .135/.354 (3,42/8,99)

PART NUMBER 27XTS1250440

Hole Size .281 (7,14)
Panel Thickness .810/1.580 (20,57/40,13)

PART NUMBER 27XTS2812020

Hole Size .320 (8,13)
Panel Thickness .120/.500 (3,05/12,70)

PART NUMBER 27XTS3170660

Hole Size .245/.255 (6,22/6,48)
Panel Thickness .070/.400 (1,78/10,16)

PART NUMBER 27XTS2500561

Hole Size .250 (6,35)
Panel Thickness .125/.687 (3,18/17,45)

PART NUMBER 27XTS2500787

Hole Size .250 (6,35)
Panel Thickness .050/.875 (1,27/22,23)

PART NUMBER 27XTS2501250

Hole Size .120/.130 (3,05/3,30)
Panel Thickness .135/.250 (3,43/6,35)

PART NUMBER 27XTS1250308

Hole Size .182/.192 (4,62/4,88)
Panel Thickness .035/.210 (0,89/5,33)

PART NUMBER 27XTS1870442

Hole Size .240/.260 (6,10/6,60)
Panel Thickness .075/.185 (1,91/4,70)

PART NUMBER 27XTS2500394

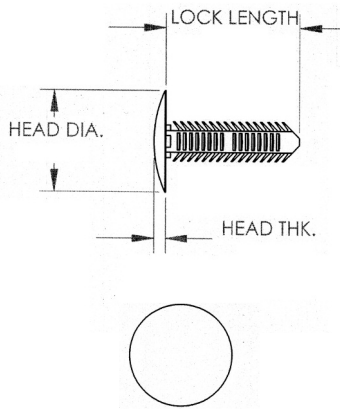
PANEL FASTENERS AND HOLE PLUGS

SECTION
VI

STANDARD XMAS TREE TYPE CLIPS

Molded in **Black Nylon 6/6**

**METRIC Sizes
Also Available**
Page 283



PART NUMBER	HOLE SIZE	PANEL THICKNESS RANGE	HEAD DIAMETER	HEAD THICKNESS	LOCK LENGTH
27XT1250125	.125 (3,18)	.062-.125 (1,57 - 3,18)	.344 (8,74)	.062 (1,57)	.208 (5,28)
27XT1250250	.125 (3,18)	.062-.250 (1,57 - 6,35)	.344 (8,74)	.062 (1,57)	.321 (8,15)
27XT1250375	.125 (3,18)	.062-.375 (1,57 - 9,53)	.344 (8,74)	.062 (1,57)	.458 (11,63)
27XT1880250	.188 (4,78)	.062-.250 (1,57 - 6,35)	.500 (12,70)	.078 (1,98)	.348 (8,84)
27XT1880375	.188 (4,78)	.062-.375 (1,57 - 9,53)	1/2 (12,70)	.078 (1,98)	.473 (12,01)
27XT1880500	.188 (4,78)	.062-.500 (1,57 - 12,70)	1/2 (12,70)	.078 (1,98)	.598 (15,19)
27XT1880625	.188 (4,78)	.062-.625 (1,57 - 15,88)	.500 (12,70)	.078 (1,98)	.723 (18,36)
27XT1880750	.188 (4,78)	.062-.750 (1,57 - 19,05)	1/2 (12,70)	.078 (1,98)	.848 (21,54)
27XT2030375	.203 (5,16)	.070-.250 (1,78 - 6,35)	.625 (15,88)	.100 (2,54)	.375 (9,53)
27XT2500250	.250 (6,35)	.062-.250 (1,57 - 6,35)	.700 (17,78)	.100 (2,54)	.391 (9,93)
27XT2500375	.250 (6,35)	.062-.375 (1,57 - 9,53)	.700 (17,78)	.100 (2,54)	.506 (12,85)
27XT2500500	.250 (6,35)	.062-.500 (1,57 - 12,70)	.700 (17,78)	.100 (2,54)	.630 (16,00)
27XT2500625	.250 (6,35)	.062-.625 (1,57 - 15,88)	.700 (17,78)	.100 (2,54)	.755 (19,18)
27XT2500750	.250 (6,35)	.062-.750 (1,57 - 19,05)	.700 (17,78)	.100 (2,54)	.880 (22,35)
27XT2500875	.250 (6,35)	.062-.875 (1,57 - 22,23)	.700 (17,78)	.100 (2,54)	1.004 (25,50)
27XT2501000	.250 (6,35)	.062-1.000 (1,57 - 25,40)	.700 (17,78)	.100 (2,54)	1.120 (28,45)
27XT2501250	.250 (6,35)	.062-1.250 (1,57 - 31,75)	.700 (17,78)	.100 (2,54)	1.380 (35,05)
27XT2501500	.250 (6,35)	.062-1.500 (1,57 - 38,10)	.700 (17,78)	.100 (2,54)	1.632 (41,45)
27XT2501750	.250 (6,35)	.062-1.750 (1,57 - 44,45)	.700 (17,78)	.100 (2,54)	1.882 (47,80)
27XT2502000	.250 (6,35)	.062-2.000 (1,57 - 50,80)	.700 (17,78)	.100 (2,54)	2.132 (54,15)
27XT2810250	.281 (7,14)	.062-.250 (1,57 - 6,35)	.790 (20,07)	.100 (2,54)	.384 (9,75)
27XT2810375	.281 (7,14)	.062-.375 (1,57 - 9,53)	.787 (19,99)	.100 (2,54)	.515 (13,08)
27XT2810500	.281 (7,14)	.062-.500 (1,57 - 12,70)	.787 (19,99)	.100 (2,54)	.642 (16,31)
27XT2810625	.281 (7,14)	.062-.625 (1,57 - 15,88)	.787 (19,99)	.100 (2,54)	.767 (19,48)
27XT2810750	.281 (7,14)	.062-.750 (1,57 - 19,05)	.787 (19,99)	.100 (2,54)	.894 (22,71)
27XT2810875	.281 (7,14)	.062-.875 (1,57 - 22,23)	.787 (19,99)	.100 (2,54)	1.021 (25,93)
27XT2811000	.281 (7,14)	.062-1.000 (1,57 - 25,40)	.787 (19,99)	.100 (2,54)	1.147 (29,13)
27XT2811250	.281 (7,14)	.062-1.250 (1,57 - 31,75)	.787 (19,99)	.100 (2,54)	1.401 (35,59)
27XT2811500	.281 (7,14)	.062-1.500 (1,57 - 38,10)	.787 (19,99)	.100 (2,54)	1.651 (41,94)
27XT2811750	.281 (7,14)	.062-1.750 (1,57 - 44,45)	.787 (19,99)	.100 (2,54)	1.901 (48,29)
27XT3120250	.312 (7,92)	.062-.250 (1,57 - 6,35)	.874 (22,20)	.100 (2,54)	.410 (10,41)
27XT3120375	.312 (7,92)	.062-.375 (1,57 - 9,53)	.874 (22,20)	.100 (2,54)	.529 (13,44)
27XT3120625	.312 (7,92)	.062-.625 (1,57 - 15,88)	.874 (22,20)	.100 (2,54)	.783 (19,89)
27XT3120750	.312 (7,92)	.062-.750 (1,57 - 19,05)	.874 (22,20)	.100 (2,54)	.894 (22,71)
27XT3120875	.312 (7,92)	.062-.875 (1,57 - 22,23)	.874 (22,20)	.100 (2,54)	1.036 (26,31)
27XT3121000	.312 (7,92)	.062-1.000 (1,57 - 25,40)	.874 (22,20)	.100 (2,54)	1.163 (29,54)
27XT3121250	.312 (7,92)	.062-1.250 (1,57 - 31,75)	.874 (22,20)	.100 (2,54)	1.416 (35,97)
27XT3121500	.312 (7,92)	.062-1.500 (1,57 - 38,10)	.874 (22,20)	.100 (2,54)	1.669 (42,39)
27XT3750250	.375 (9,53)	.062-.250 (1,57 - 6,35)	1.000 (25,40)	.100 (2,54)	.445 (11,30)
27XT3750500	.375 (9,53)	.062-.500 (1,57 - 12,70)	1.000 (25,40)	.100 (2,54)	.689 (17,50)

SPECIAL XMAS TREE TYPE CLIPS

Molded in **Black Nylon 6/6**

Hole Size .620
Panel Thickness .250 (6,35)
.200/.500 (5,08/12,7)

Part Number 27XTS2800710

Hole Size \varnothing .500
Panel Thickness .234 (5,94)
.140/.750 (3,55/19,05)

Part Number 27XTS2340945



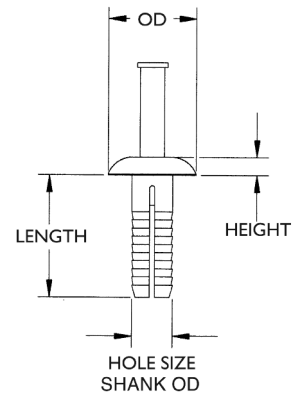
PANEL FASTENERS AND HOLE PLUGS

SECTION
VI

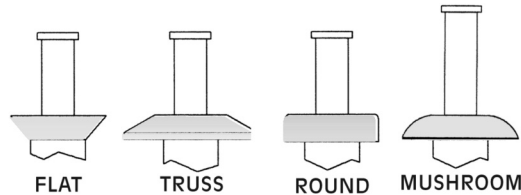
TWO PIECE ANCHOR RIVETS WITH PLASTIC & STEEL DRIVE PINS

Molded in: BODY - White Impact Modified Nylon, PLASTIC PIN - White Acetal

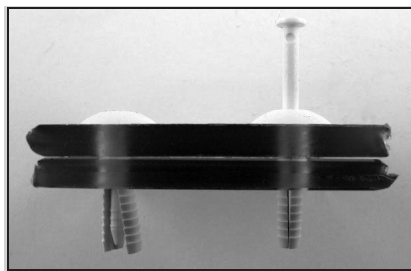
Micro Plastics' two piece Anchor Rivets provide versatile, inexpensive, vibration-resistant blind fasteners for solid or hollow materials including wood, concrete, plaster, metal, plastic, tile block or mortar. Installation is fast, rivet is inserted in predrilled hole and tapped with a hammer. The drive pin expands and seats the rivet securely in place. The Hi-Impact nylon anchor body provides high thermal, electrical, corrosion and vibration resistance. Typical uses for anchor rivets are; semi-trailer construction, liner panels, rails, scuff boards, floor plates, electrical fixtures, signs, plumbing fixtures, piping and conduit strap hangers, window and drapery hardware, railings, storage shelves and other assemblies requiring a positive, durable fastener.



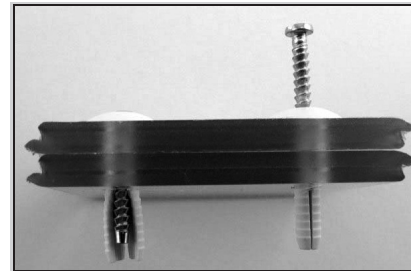
- HIGH STRENGTH.
- ZINC PLATED.
- DEVELOPS HIGH PULL-OUT FORCE.
- THERMAL AND ELECTRICAL INSULATING.
- CORROSION AND VIBRATION RESISTANT.



NOTE: ANCHOR RIVETS ARE PACKAGED 1,000 PER BAG UNLESS OTHERWISE NOTED



PLASTIC DRIVE PIN



STEEL DRIVE PIN

PART NUMBER	SHANK OD HOLE SIZE	LENGTH	HEADSTYLE
61APM18075	3/16 (4,76) X	3/4 (19,05)	Mushroom, Plastic
61APM25075	1/4 (6,35) X	3/4 (19,05)	Mushroom, Plastic
61APM25100	1/4 (6,35) X	1 (25,40)	Mushroom, Plastic
61APM25150	1/4 (6,35) X	1-1/2 (38,10)	Mushroom, Plastic

61APR18075	3/16 (4,76) X	3/4 (19,05)	Round, Plastic
61APR25075	1/4 (6,35) X	3/4 (19,05)	Round, Plastic
61APR25100	1/4 (6,35) X	1 (25,40)	Round, Plastic
61APR25150	1/4 (6,35) X	1-1/2 (38,10)	Round, Plastic

61APT18075	3/16 (4,76) X	3/4 (19,05)	Truss, Plastic
61APT25075	1/4 (6,35) X	3/4 (19,05)	Truss, Plastic
61APT25100	1/4 (6,35) X	1 (25,40)	Truss, Plastic
61APT25150	1/4 (6,35) X	1-1/2 (38,10)	Truss, Plastic
61APT25200	1/4 (6,35) X	2 (50,80)	Truss, Plastic
61APT25300*	1/4 (6,35) X	3 (76,20)	Truss, Plastic
61APT25400*	1/4 (6,35) X	4 (101,6)	Truss, Plastic
61APT25500**	1/4 (6,35) X	5 (127,0)	Truss, Plastic
61APT25600**	1/4 (6,35) X	6 (152,4)	Truss, Plastic

* PACKAGED 500 PCS PER BAG ** PACKAGED 250 PCS PER BAG

PART NUMBER	SHANK OD HOLE SIZE	LENGTH	HEADSTYLE
61ASM18075	3/16 (4,76) X	3/4 (19,05)	Mushroom, Steel
61ASM18100	3/16 (4,76) X	1 (25,40)	Mushroom, Steel
61ASM25075	1/4 (6,35) X	3/4 (19,05)	Mushroom, Steel
61ASM25100	1/4 (6,35) X	1 (25,40)	Mushroom, Steel
61ASM25150	1/4 (6,35) X	1-1/2 (38,10)	Mushroom, Steel

61ASR18075	3/16 (4,76) X	3/4 (19,05)	Round, Steel
61ASR18100	3/16 (4,76) X	1 (25,40)	Round, Steel
61ASR25075	1/4 (6,35) X	3/4 (19,05)	Round, Steel
61ASR25100	1/4 (6,35) X	1 (25,40)	Round, Steel
61ASR25150	1/4 (6,35) X	1-1/2 (38,10)	Round, Steel

61AST18075	3/16 (4,76) X	3/4 (19,05)	Truss, Steel
61AST18100	3/16 (4,76) X	1 (25,40)	Truss, Steel
61AST25075	1/4 (6,35) X	3/4 (19,05)	Truss, Steel
61AST25100	1/4 (6,35) X	1 (25,40)	Truss, Steel
61AST25150	1/4 (6,35) X	1-1/2 (38,10)	Truss, Steel

Offered in Grey and Beige color also.

Add color name to the end of the part number when ordering.

EXAMPLE: 61APT25075GREY

TYPE	OD	HEIGHT
Mushroom	9/16 (14,28)	.110 (2,79)
Round	7/16 (11,11)	.125 (3,18)
Truss	5/8 (15,88)	.110 (2,79)
Flat	7/16 (11,11)	.108 (2,74)

61APF25056	1/4 (6,35) X	9/16 (14,29)	Flat, Plastic
61APF25075	1/4 (6,35) X	3/4 (19,05)	Flat, Plastic

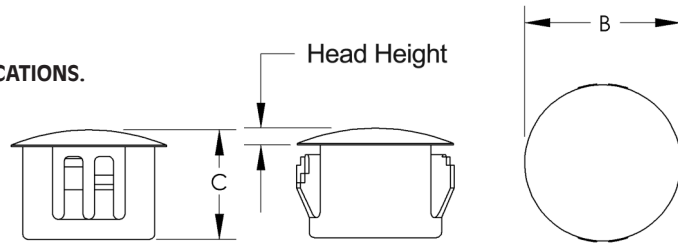


PANEL FASTENERS AND HOLE PLUGS

SECTION VI

Nylon Locking Hole Plugs are available in a large selection of sizes from 3/16" to 4". Designed with multiple locks to positively snap in panel thicknesses ranging from 1/64" to 1/4". Locking Hole Plugs are used to close excess chassis holes, wiring outlets, and production access holes.

- MOLDED OF HEAT STABILIZED NYLON (UL94V2) BLACK
- SUITABLE FOR CRITICAL OR ELEVATED TEMPERATURE APPLICATIONS.
- WHITE PARTS ADD "W" TO THE END OF PART NUMBER.



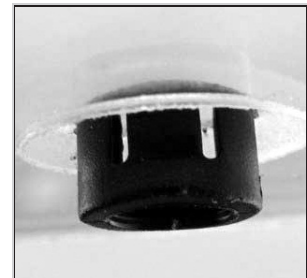
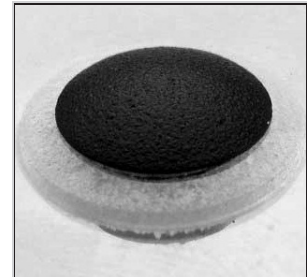
LOCKING HOLE PLUGS

Molded in **Black Heat Stabilized Nylon (UL94V2)**

ITEM NUMBER	HOLE DIAMETER	MAXIMUM THICKNESS	HEAD DIA. B	THICKNESS C	HEAD HEIGHT
* 62MP0187	.187 (4,8)	.062 (1,6)	.250 (6,4)	.234 (5,9)	.062 (1,57)
* 62MP0250	.250 (6,4)	.062 (1,6)	.312 (8,0)	.312 (8,0)	.062 (1,57)
* 62MP0312	.312 (8,0)	.062 (1,6)	.375 (9,5)	.312 (8,0)	.062 (1,57)
* 62MP0375	.375 (9,5)	.125 (3,2)	.468 (12,0)	.406 (10,3)	.062 (1,57)
* 62MP0437	.437 (11,0)	.125 (3,2)	.531 (13,5)	.406 (10,3)	.062 (1,57)
* 62MP0500	.500 (12,7)	.125 (3,2)	.578 (14,6)	.406 (10,3)	.062 (1,57)
* 62MP0562	.562 (14,3)	.125 (3,2)	.656 (16,7)	.406 (10,3)	.062 (1,57)
* 62MP0625	.625 (15,9)	.125 (3,2)	.718 (18,2)	.406 (10,3)	.062 (1,57)
* 62MP0687	.687 (17,5)	.125 (3,2)	.781 (20,0)	.406 (10,3)	.062 (1,57)
* 62MP0750	.750 (19,0)	.125 (3,2)	.922 (23,2)	.406 (10,3)	.062 (1,57)
* 62MP0812	.812 (20,6)	.125 (3,2)	.890 (22,6)	.406 (10,3)	.062 (1,57)
* 62MP0875	.875 (22,2)	.125 (3,2)	1.016 (25,8)	.453 (11,5)	.062 (1,57)
** 62MP1000	1.000 (25,5)	.125 (3,2)	1.203 (30,5)	.453 (11,5)	.062 (1,57)
** 62MP1093	1.093 (27,8)	.125 (3,2)	1.222 (31,0)	.453 (11,5)	.062 (1,57)
** 62MP1187	1.187 (30,1)	.125 (3,2)	1.315 (33,4)	.453 (11,5)	.062 (1,57)
** 62MP1250	1.250 (32,0)	.125 (3,2)	1.375 (34,9)	.453 (11,5)	.062 (1,57)
** 62MP1250A	1.250 (32,0)	.125 (3,2)	1.500 (38,0)	.453 (11,5)	.062 (1,57)
** 62MP1375	1.375 (35,0)	.125 (3,2)	1.500 (38,0)	.453 (11,5)	.062 (1,57)
*** 62MP1500	1.500 (38,0)	.125 (3,2)	1.672 (42,7)	.453 (11,5)	.062 (1,57)
*** 62MP1750	1.750 (45,0)	.125 (3,2)	1.935 (49,1)	.453 (11,5)	.062 (1,57)
*** 62MP2000	2.000 (51,0)	.125 (3,2)	2.140 (55,0)	.453 (11,5)	.062 (1,57)
**** 62MP2250	2.250 (57,1)	.250 (6,3)	2.422 (61,5)	.750 (19,0)	.092 (2,33)
**** 62MP2500	2.500 (63,5)	.250 (6,3)	2.775 (70,5)	.750 (19,0)	.062 (1,57)
**** 62MP3000	3.000 (76,2)	.250 (6,3)	3.171 (80,5)	.720 (18,2)	.065 (1,65)
**** 62MP3375	3.375 (85,7)	.250 (6,3)	3.656 (92,8)	.725 (18,4)	.070 (1,77)
**** 62MP3500	3.500 (88,9)	.250 (6,3)	3.660 (92,9)	.750 (19,0)	.093 (2,36)
**** 62MP4000	4.000 (101,6)	.250 (6,3)	4.156 (105,5)	.765 (19,4)	.125 (3,17)



New SIZES

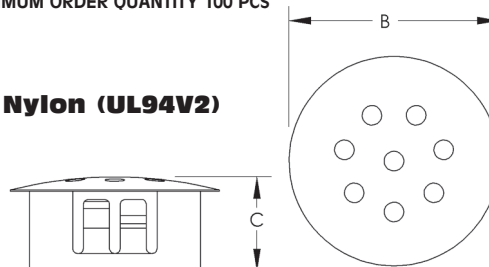


*MINIMUM ORDER QUANTITY 1,000 PCS **MINIMUM ORDER QUANTITY 500 PCS
 MINIMUM ORDER QUANTITY 250 PCS **MINIMUM ORDER QUANTITY 100 PCS

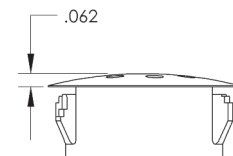
LOCKING VENT PLUGS

Molded in **Black Heat Stabilized Nylon (UL94V2)**

LOCKING VENT PLUGS ARE AVAILABLE 3/4" to 7/8" AND 1" DIAMETERS.



ITEM NUMBER	HOLE DIAMETER	MAXIMUM THICKNESS	HEAD DIAMETER B	THICKNESS C
* 62MP0750V	.750 (19,1)	.125 (3,2)	.906 (23,0)	.406 (10,3)
* 62MP0875V	.875 (22,5)	.125 (3,2)	1.016 (25,8)	.453 (11,5)
** 62MP1000V	1.000 (25,5)	.125 (3,2)	1.215 (30,8)	.453 (11,5)



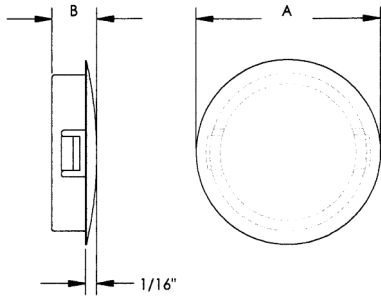
PANEL FASTENERS AND HOLE PLUGS

SECTION
VI

MINIATURE LOCKING HOLE PLUGS

Molded in **Black Heat Stabilized Nylon (UL94V2)**

Nylon Miniature Locking Hole Plugs are available in sizes from 3/16" to 7/8". Designed with multiple locks to positively snap in panel thickness of 1/16". Locking Hole Plugs are used to close excess chassis holes, wiring outlets, and production access holes.



New
SIZES

- ALL ITEMS ARE PACKAGED 1,000 PIECES PER BAG
- WHITE PARTS ADD "W" TO THE END OF PART NUMBER

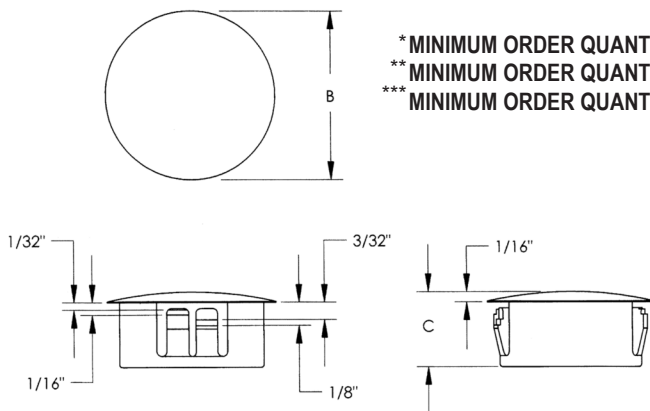


ITEM NUMBER	DESCRIPTION	HOLE DIAMETER	A	B
62MPS0187	3/16" Miniature Locking Hole Plug	0.187 (4,75)	0.250 (6,35)	0.234 (5,94)
62MPS0312	5/16" Miniature Locking Hole Plug	0.312 (7,93)	0.375 (9,53)	0.234 (5,94)
62MPS0343	11/32" Miniature Locking Hole Plug	0.343 (8,71)	0.410 (10,41)	0.250 (6,35)
62MPS0375	3/8" Miniature Locking Hole Plug	0.375 (9,53)	0.468 (11,89)	0.250 (6,35)
62MPS0500	1/2" Miniature Locking Hole Plug	0.500 (12,7)	0.578 (14,7)	0.250 (6,35)
62MPS0625	5/8" Miniature Locking Hole Plug	0.625 (15,9)	0.718 (18,2)	0.250 (6,35)
62MPS0750	3/4" Miniature Locking Hole Plug	0.750 (19,1)	0.922 (23,4)	0.250 (6,35)
62MPS0875	7/8" Miniature Locking Hole Plug	0.875 (22,2)	1.016 (25,8)	0.250 (6,35)

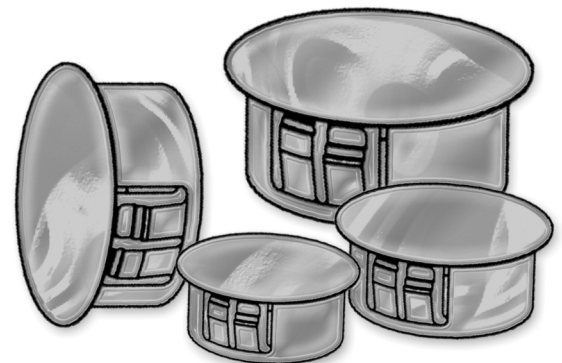
KNOCK OUT PLUGS

Molded in **GREY HEAT STABILIZED Nylon**

Knock out plugs are molded in Grey Nylon to blend in with galvanized steel. Economical plugs that lock firmly into 5 trade size holes with panel thickness up to 1/8". Installs with fingertip pressure - no tools required.



- * MINIMUM ORDER QUANTITY 1,000 PIECES
- ** MINIMUM ORDER QUANTITY 500 PIECES
- *** MINIMUM ORDER QUANTITY 250 PIECES



ITEM NUMBER	DESCRIPTION	MAXIMUM HOLE DIA.	MAX PANEL THICKNESS	DIAMETER B	THICKNESS C
* 62MP0875KOP	7/8" Knock Out Plug	0.875 (22,2)	0.125 (3,18)	1.016 (25,8)	.453 (11,5)
** 62MP1093KOP	1 1/8" Knock Out Plug	1.093 (27,8)	0.125 (3,18)	1.222 (31,0)	.453 (11,5)
** 62MP1375KOP	1 3/8" Knock Out Plug	1.375 (34,9)	0.125 (3,18)	1.500 (38,1)	.453 (11,5)
*** 62MP1500KOP	1 1/2" Knock Out Plug	1.500 (38,1)	0.125 (3,18)	1.692 (42,4)	.453 (11,5)
*** 62MP1750KOP	1 3/4" Knock Out Plug	1.750 (44,5)	0.125 (3,18)	1.935 (49,1)	.453 (11,5)
*** 62MP2000KOP	2" Knock Out Plug	2.000 (50,8)	0.125 (3,18)	2.140 (54,4)	.453 (11,5)



PANEL FASTENERS AND HOLE PLUGS

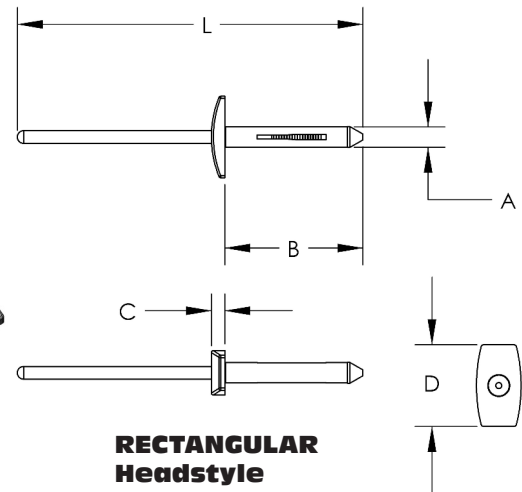
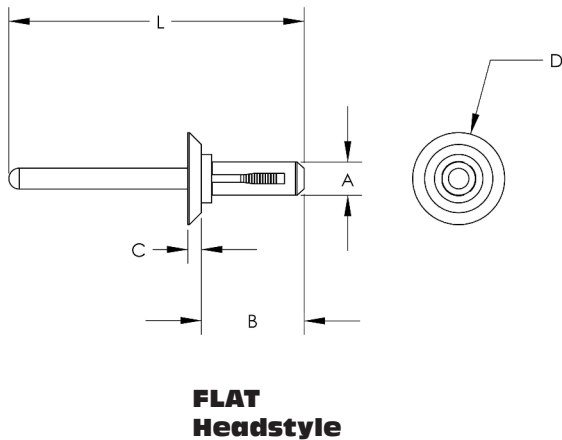
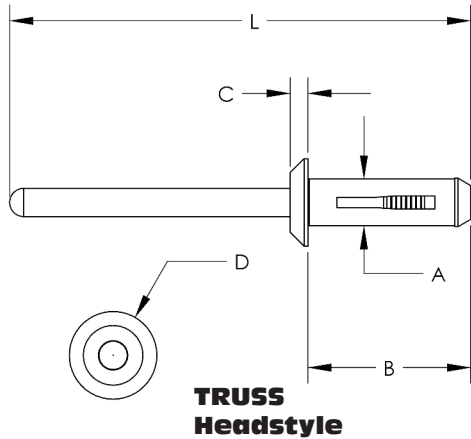
SECTION VI

BLIND RIVETS

BODY Molded in **Black Impact Modified Nylon 6/6**
PIN Molded in **Black Acetal**

The Blind Rivet is a precision molded all plastic rivet used to fasten plastic to plastic, plastics to metal and plastic to fiberglass. Rivets are non-conductive and non-corrosive.

The body of the rivet is molded in Impact Modified Nylon and the Pin is molded in Acetal. The three leg design securely locks the panels in place and prevents pullout. The rivet inserts from either side of the assembly using standard rivet setting tools. As the pin is pulled through the body it draws the panels together. When set the pin breaks off even with the head leaving an attractive finished look.



ITEM NUMBER	A	B	C	D	L	HOLE SIZE	GRIP RANGE	HEAD STYLE
61BR197118157	.187 (4,75)	.652 (16,56)	.071 (1,80)	.350 (8,89)	1.845 (46,86)	.218 (5,54)	.118-.158 (2,99-4,01)	Truss
61BR197118177	.191 (4,85)	.792 (20,11)	.071 (1,80)	.472 (11,98)	1.892 (48,05)	.187 (4,74)	.118-.236 (2,99-5,99)	Truss
61BR197118236	.191 (4,85)	.789 (20,04)	.071 (1,80)	.472 (11,98)	1.881 (47,77)	.218 (5,53)	.118-.236 (2,99-5,99)	Truss
61BR197236394	.191 (4,85)	.984 (24,99)	.071 (1,80)	.472 (11,98)	2.004 (50,90)	.197 (5,00)	.236-.394 (5,99-10,00)	Truss
61BR197059177	.191 (4,85)	.731 (18,56)	.129 (3,27)	.468 (11,88)	1.881 (47,77)	.218 (5,53)	.059-.177 (1,49-4,49)	Truss
61BR236157335	.236 (5,99)	1.108 (28,14)	.098 (2,48)	.508 (12,90)	2.200 (55,88)	.250 (6,35)	.157-.335 (3,98-8,50)	Truss
61BR250098197	.258 (6,55)	.797 (20,24)	.098 (2,48)	.512 (13,00)	1.883 (47,82)	.281 (7,13)	.098-.197 (2,48-5,00)	Truss
61BR250157236	.240 (6,09)	.701 (17,80)	.097 (2,46)	.660 (16,76)	2.168 (55,06)	.250 (6,35)	.157-.236 (3,98-5,99)	Truss
61BR250157394	.240 (6,09)	1.105 (28,07)	.098 (2,48)	.665 (16,89)	2.197 (55,80)	.250 (6,35)	.157-.394 (3,99-10,01)	Truss
61BR250157394A	.240 (6,09)	1.105 (28,07)	.098 (2,48)	.508 (12,90)	2.197 (55,80)	.250 (6,35)	.157-.394 (3,99-10,01)	Truss
61BR260098197	.258 (6,55)	.797 (20,24)	.098 (2,48)	.702 (17,83)	1.883 (47,82)	.281 (7,13)	.098-.197 (2,48-5,00)	Truss
61BR250028178	.240 (6,09)	.743 (18,87)	.097 (2,46)	.660 (16,76)	2.133 (54,17)	.250 (6,35)	.028-.178 (0,71-4,52)	Flat
61BR250028193	.240 (6,09)	.797 (20,24)	.097 (2,46)	.665 (16,89)	2.185 (55,49)	.250 (6,35)	.028-.193 (0,71-4,90)	Flat
61BR156236419	.152 (3,86)	1.025 (26,03)	.100 (2,54)	.605 (15,36)	2.567 (65,20)	.156 (3,96)	.236-.413 (5,99-10,49)	Rectangular



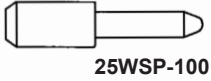
PANEL FASTENERS AND HOLE PLUGS

SECTION
VI

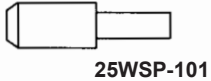
SHUTTER PINS

Molded in **TRANSLUCENT OFF WHITE Nylon 6/6**

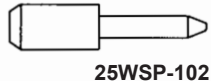
Micro Plastics' SHUTTER PINS are used in the assembly of shutters. Molded in a Nylon 6/6 translucent off white color. Nylon 6/6 is a material which has excellent wear properties, low coefficient of friction, good chemical resistance and will not rust. Part number 25USP-100 has a split head for greater retention.



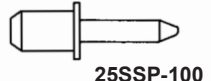
25WSP-100



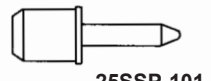
25WSP-101



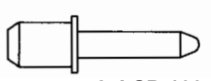
25WSP-102



25SSP-100



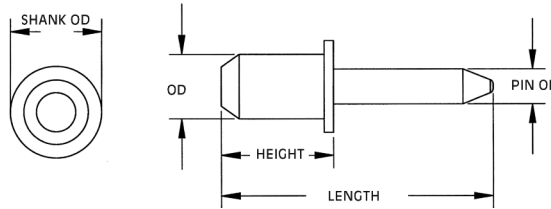
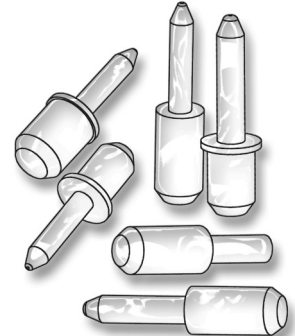
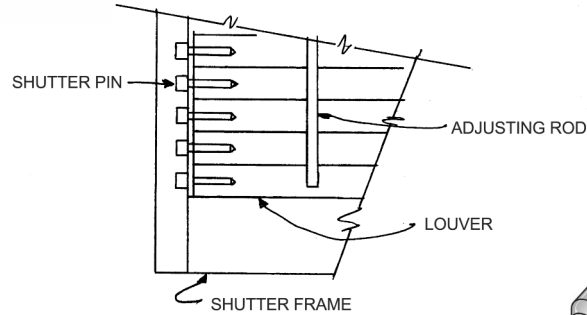
25SSP-101



25LSP-100



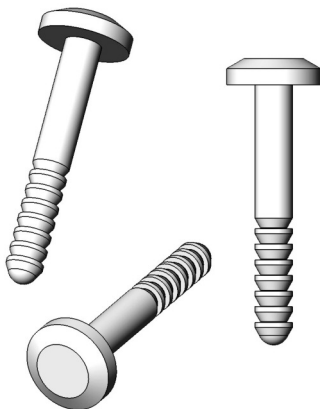
25USP-100



PART NUMBER	OD	PIN OD	HEIGHT	LENGTH	SHANK OD * REF
25WSP-100	.243 (6,17)	.140 (3,56)	31/64 (12,29)	1 1/16 (26,98)	
25WSP-101	.243 (6,17)	.140 (3,56)	31/64 (12,29)	7/8 (22,23)	
25WSP-102	.243 (6,17)	.117 (2,97)	31/64 (12,29)	1 1/16 (26,98)	
25SSP-100	.215 (5,46)	.117 (2,97)	3/8 (9,53)	29/32 (23,01)	19/64 (7,5)
25SSP-101	.280 (7,11)	.117 (2,97)	3/8 (9,53)	29/32 (23,01)	19/64 (7,5)
25LSP-100	.240 (6,10)	.140 (3,56)	3/8 (9,53)	1 1/32 (26,19)	19/64 (7,5)
25USP-100	.245 (6,22)	.120 (3,05)	13/32 (10,32)	55/64 (21,83)	5/16 (7,9)

SIGN FASTENER SYSTEM

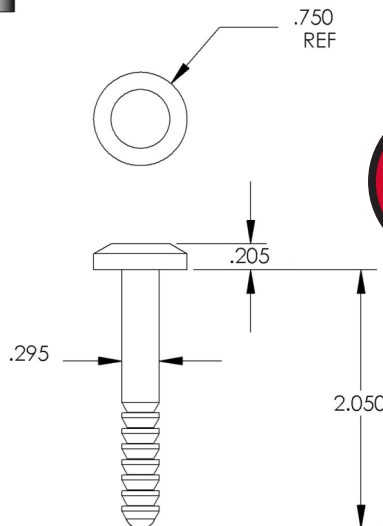
Molded in **WHITE IMPACT MODIFIED Nylon 6/6**



PIN

PART NUMBER

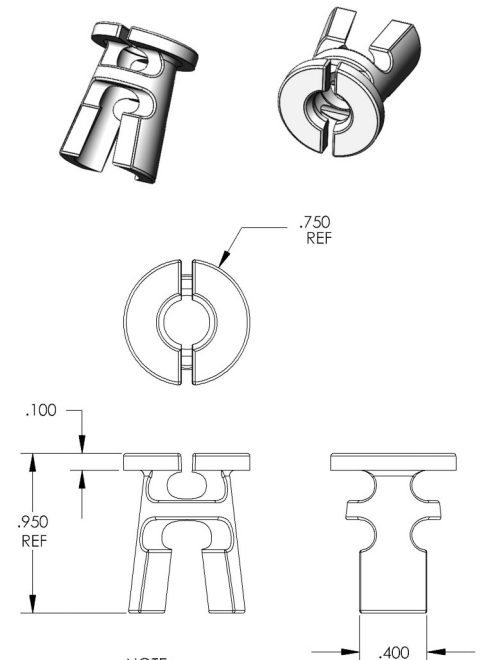
27RSFP001



KEEPER

PART NUMBER

27RSFK001



NOTE:
HOLE SIZE: .312
PANEL RANGE: 1.000 - 1.750

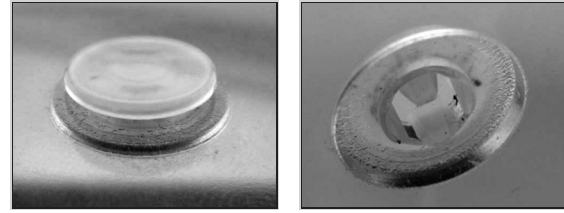


PANEL FASTENERS AND HOLE PLUGS

SECTION VI

Economical snap-in Poly-Plugs will close unneeded chassis holes, wiring outlets, fill unused accessory openings, cover inspection and production access holes.

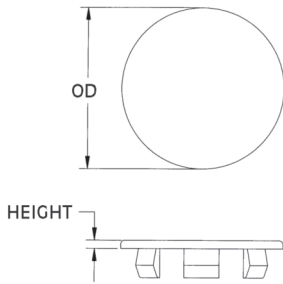
They can be used as tube end caps and protective bumpers. Poly Plugs are molded in Nylon which is abrasion and vibration resistant making them ideal for drawer glides and small appliance feet. Poly Plugs are designed with special flexible and tapered prongs which snugly lock in place with finger pressure but can be removed and reused when necessary.



HOLE PLUGS

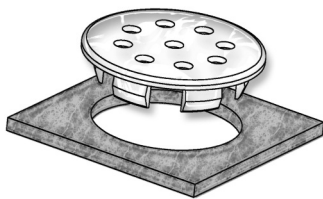
Molded in **Natural Nylon 6/6**

New
SIZES

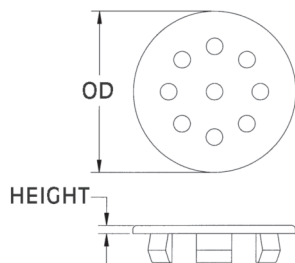


ITEM NUMBER	HEAD STYLE	FINISH	HOLE SIZE RND	PANEL THICKNESS	OD	HEIGHT
62PP018BG10	Binder	Smooth	.187 (4,75)	.031/.100 (0,79/2,54)	11/32 (8,71)	.040 (1,02)
62PP018BG14	Binder	Smooth	.187 (4,75)	.031/.140 (0,79/3,56)	11/32 (8,71)	.040 (1,02)
62PP018BM14	Binder	Matte	.187 (4,75)	.031/.140 (0,79/3,56)	11/32 (8,71)	.040 (1,02)
62PP022RG06	Dome	Smooth	.218 (5,54)	.031/.062 (0,79/1,58)	3/8 (9,53)	.250 (6,35)
62PP022RG09	Dome	Smooth	.218 (5,54)	.031/.094 (0,79/2,39)	3/8 (9,53)	.250 (6,35)
62PP025BG06	Binder	Smooth	.250 (6,35)	.031/.062 (0,79/1,58)	27/64 (10,72)	.040 (1,02)
62PP025BM06	Binder	Matte	.250 (6,35)	.031/.062 (0,79/1,58)	27/64 (10,72)	.040 (1,02)
62PP031BG14	Binder	Smooth	.312 (7,93)	.031/.140 (0,79/3,56)	29/64 (11,51)	.055 (1,40)
62PP031BM14	Binder	Matte	.312 (7,93)	.031/.140 (0,79/3,56)	29/64 (11,51)	.055 (1,40)
62PP031BM15	Binder	Matte	.315 (8,00)	.047/.156 (1,19/3,96)	1/2 (12,7)	.080 (2,03)
62PP012BG09	Binder	Smooth	.125 (3,18)	.031/.094 (0,79/2,39)	13/64 (5,16)	.040 (1,02)
62PP015BG09	Binder	Smooth	.150 (3,81)	.031/.094 (0,79/2,39)	1/4 (6,35)	.040 (1,02)
62PP037BG14	Binder	Smooth	.375 (9,53)	.031/.140 (0,79/3,56)	43/64 (17,07)	.062 (1,58)
62PP037BG31	Binder	Smooth	.375 (9,53)	.031/.140 (0,79/3,56)	37/64 (14,68)	.055 (1,40)
62PP037BM31	Binder	Matte	.375 (9,53)	.031/.140 (0,79/3,56)	37/64 (14,68)	.055 (1,40)
62PP043BG17	Binder	Smooth	.437(11,10)	.031/.171 (0,79/4,34)	39/64 (15,47)	.055 (1,40)
62PP043BM17	Binder	Matte	.437(11,10)	.031/.171 (0,79/4,34)	39/64 (15,47)	.055 (1,40)
62PP048BM12	Binder	Matte	.480(12,19)	.031/.039 (0,79/0,99)	37/64 (14,68)	.055 (1,40)
62PP050BG14	Binder	Smooth	.500(12,70)	.031/.140 (0,79/3,56)	43/64 (17,07)	.062 (1,58)
62PP050BM14	Binder	Matte	.500(12,70)	.031/.140 (0,79/3,56)	43/64 (17,07)	.062 (1,58)
62PP056BG14	Binder	Smooth	.562(14,28)	.031/.140 (0,79/3,56)	47/64 (18,64)	.062 (1,58)
62PP056BM14	Binder	Matte	.562(14,28)	.031/.140 (0,79/3,56)	47/64 (18,64)	.062 (1,58)
62PP062BG07	Binder	Smooth	.625(15,88)	.031/.072 (0,79/1,83)	51/64 (20,24)	.062 (1,58)
62PP062BM07	Binder	Matte	.625(15,88)	.031/.072 (0,79/1,83)	51/64 (20,24)	.062 (1,58)
62PP068BG10	Binder	Smooth	.687(17,45)	.031/.109 (0,79/2,77)	57/64 (22,63)	.062 (1,58)
62PP068BM10	Binder	Matte	.687(17,45)	.031/.109 (0,79/2,77)	57/64 (22,63)	.062 (1,58)
62PP075BG11	Binder	Smooth	.750(19,05)	.031/.109 (0,79/2,77)	63/64 (25,00)	.062 (1,58)
62PP075BM11	Binder	Matte	.750(19,05)	.031/.109 (0,79/2,77)	63/64 (25,00)	.062 (1,58)
62PP078BG09	Binder	Smooth	.787(20,00)	.059/.080 (1,50/2,03)	63/64 (25,00)	.062 (1,58)
62PP078BM09	Binder	Matte	.787(20,00)	.059/.080 (1,50/2,03)	63/64 (25,00)	.062 (1,58)
62PP081BG11	Binder	Smooth	.812(20,63)	.031/.109 (0,79/2,77)	1 1/32 (26,19)	.062 (1,58)
62PP081BM11	Binder	Matte	.812(20,63)	.031/.109 (0,79/2,77)	1 1/32 (26,19)	.062 (1,58)
62PP087BG11	Binder	Smooth	.875(22,23)	.031/.109 (0,79/2,77)	1 5/64 (27,38)	.062 (1,58)
62PP087BM11	Binder	Matte	.875(22,23)	.031/.109 (0,79/2,77)	1 5/64 (27,38)	.062 (1,58)
62PP100BG11	Binder	Smooth	1.000(25,40)	.031/.109 (0,79/2,77)	1 7/32 (30,96)	.062 (1,58)
62PP100BM11	Binder	Matte	1.000(25,40)	.031/.109 (0,79/2,77)	1 7/32 (30,96)	.062 (1,58)

METRIC Sizes
Also Available
Page 282



VENT PLUGS



ITEM NUMBER	HEAD STYLE	FINISH	HOLE SIZE RND	PANEL THICKNESS	OD	HEIGHT
62VP087BM11	Binder	Matte	.875(22,23)	.031/.109 (0,79/2,77)	1 5/64 (27,38)	.062 (1,58)
62VP100BM11	Binder	Matte	1.000(25,40)	.031/.109 (0,79/2,77)	1 7/32 (30,96)	.062 (1,58)



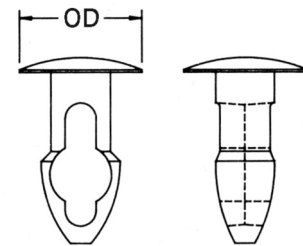
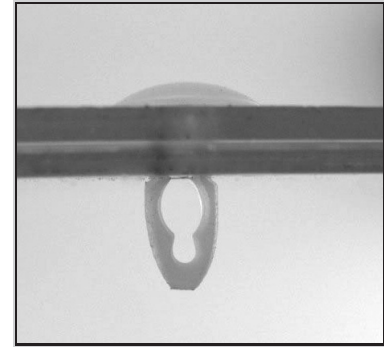
PANEL FASTENERS AND HOLE PLUGS

SECTION
VI

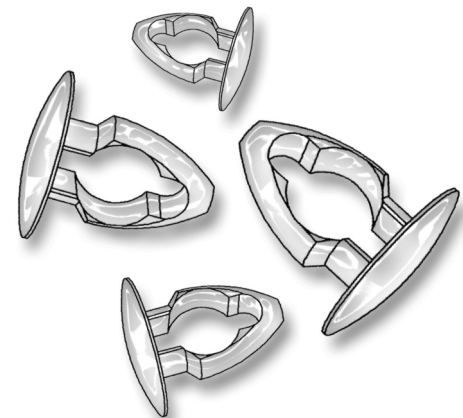
KEY-HOLE CLIPS

Molded in **Natural Nylon 6/6**

PART NUMBER	OD	HOLE SIZE RND	PANEL THICKNESS
27KY1250093	1/4" (6,35)	.125 (3,18)	.093 (2,36)
27KY1250125	1/4" (6,35)	.125 (3,18)	.125 (3,18)
27KY1250156	1/4" (6,35)	.125 (3,18)	.156 (3,96)
27KY1250187	1/4" (6,35)	.125 (3,18)	.188 (4,78)
27KY1250219	1/4" (6,35)	.125 (3,18)	.219 (5,56)
27KY1250250	1/4" (6,35)	.125 (3,18)	.250 (6,35)
27KY1560062	5/16" (7,94)	.156 (3,96)	.062 (1,57)
27KY1560093	5/16" (7,94)	.156 (3,96)	.093 (2,36)
27KY1560125	5/16" (7,94)	.156 (3,96)	.125 (3,18)
27KY1560156	5/16" (7,94)	.156 (3,96)	.156 (3,96)
27KY1560187	5/16" (7,94)	.156 (3,96)	.187 (4,75)
27KY1560218	5/16" (7,94)	.156 (3,96)	.218 (5,54)
27KY1560250	5/16" (7,94)	.156 (3,96)	.250 (6,35)
27KY1560281	5/16" (7,94)	.156 (3,96)	.281 (7,14)
27KY1560312	5/16" (7,94)	.156 (3,96)	.312 (7,92)
27KY1560343	5/16" (7,94)	.156 (3,96)	.343 (8,71)
27KY1560375	5/16" (7,94)	.156 (3,96)	.375 (9,53)
27KY1870093	5/16" (7,94)	.187 (4,75)	.093 (2,36)
27KY1870125	5/16" (7,94)	.187 (4,75)	.125 (3,18)
27KY1870156	5/16" (7,94)	.187 (4,75)	.156 (3,96)
27KY1870187	5/16" (7,94)	.187 (4,75)	.187 (4,75)
27KY1870219	5/16" (7,94)	.187 (4,75)	.219 (5,56)
27KY1870250	5/16" (7,94)	.187 (4,75)	.250 (6,35)
27KY18702507	15/32" (11,89)	.187 (4,75)	.250 (6,35)
27KY1870281	5/16" (7,94)	.187 (4,75)	.281 (7,14)
27KY1870312	5/16" (7,94)	.187 (4,75)	.312 (7,92)
27KY1870343	5/16" (7,94)	.187 (4,75)	.344 (8,74)
27KY1870375	5/16" (7,94)	.187 (4,75)	.375 (9,53)
27KY2190093	11/32" (8,73)	.219 (5,56)	.093 (2,36)
27KY2190343	11/32" (8,74)	.219 (5,56)	.343 (8,71)
27KY2190375	11/32" (8,74)	.219 (5,56)	.375 (9,53)
27KY2190125	11/32" (8,73)	.219 (5,56)	.125 (3,18)
27KY2190156	11/32" (8,73)	.219 (5,56)	.156 (3,96)
27KY2190187	11/32" (8,73)	.219 (5,56)	.187 (4,78)
27KY2190219	11/32" (8,73)	.219 (5,56)	.219 (5,56)
27KY2190250	11/32" (8,73)	.219 (5,56)	.250 (6,35)
27KY2190281	11/32" (8,73)	.219 (5,56)	.281 (7,14)
27KY2190312	11/32" (8,73)	.219 (5,56)	.312 (7,92)
27KY2500093	1/2" (12,70)	.250 (6,35)	.093 (2,36)
27KY2500125	1/2" (12,70)	.250 (6,35)	.125 (3,18)
27KY2500156	1/2" (12,70)	.250 (6,35)	.156 (3,96)
27KY2500187	1/2" (12,70)	.250 (6,35)	.187 (4,75)
27KY2500219	1/2" (12,70)	.250 (6,35)	.219 (5,56)
27KY2500250	1/2" (12,70)	.250 (6,35)	.250 (6,35)
27KY2500281	1/2" (12,70)	.250 (6,35)	.281 (7,14)
27KY2500312	1/2" (12,70)	.250 (6,35)	.312 (7,92)
27KY2500343	1/2" (12,70)	.250 (6,35)	.343 (8,71)
27KY2500375	1/2" (12,70)	.250 (6,35)	.375 (9,53)
27KY2500406	1/2" (12,70)	.250 (6,35)	.406 (10,31)
27KY2500437	1/2" (12,70)	.250 (6,35)	.437 (11,10)
27KY2500468	1/2" (12,70)	.250 (6,35)	.468 (11,89)
27KY2500500	1/2" (12,70)	.250 (6,35)	.500 (12,70)
27KY2810406	.500 (12,70)	.281 (7,14)	.406 (10,31)



This panel fastener incorporates a new design. The key-hole shaped interior allows the part to collapse more completely for easy assembly with finger pressure. Tapered, bullet-style point slides into hole easily. Angled panel lock section takes up slack in panels to provide for a tight assembly. The design allows for a relatively large clip diameter to hole size ratio, resulting in higher retention force. Parts can be tooled for a large variety of hole and panel variations.



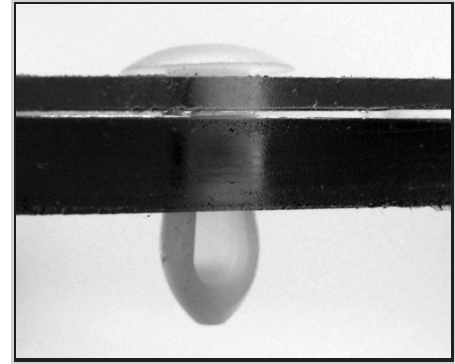
PANEL FASTENERS AND HOLE PLUGS

SECTION VI

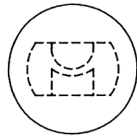
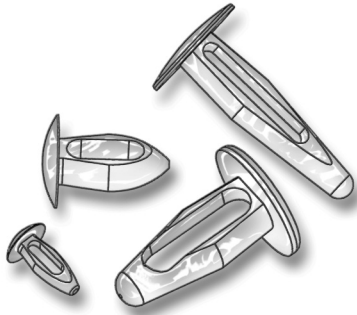
ARROW CLIPS

Molded in Natural Nylon 6/6

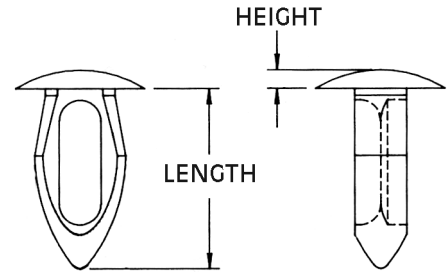
Micro Plastics' Arrow Clips are reusable, molded nylon fasteners that feature an inexpensive fast method to hand assemble metal, wood, plastic, composition or other thin-gauge materials. The specially designed body compresses as it is forced through a prepunched hole and springs back to its original shape to lock the assembled parts securely. The versatile clips can be disassembled and reused again and again. They provide an economical, electrical insulating, vibration, abrasion, and corrosion resistant connection. The following are some of the more common sizes. Because of Micro Plastics' unique tooling approach, designs can be varied over a wide range. Request the size you need.



PNEUMATIC POWER TOOLS ARE AVAILABLE FOR VOLUME USERS



OD



HEIGHT

LENGTH

PART NUMBER	DESCRIPTION	HOLE SIZE RND	PANEL THK. RANGE	OD	HEIGHT	LENGTH
27AC0001	AC 1	.182/.192 (4,62/4,88)	.062/.125 (1,57/3,18)	.360 (9,14)	.060 (1,52)	.400 (10,16)
27AC0002	AC 2	.131/.135 (3,33/3,43)	.062/.125 (1,57/3,18)	.270 (6,85)	.060 (1,52)	.395 (10,03)
27AC0003	AC 3	.151/.161 (3,84/4,09)	.062/.125 (1,57/3,18)	.280 (7,11)	.040 (1,02)	.390 (9,91)
27AC0004	AC 4	.151/.161 (3,84/4,09)	.062/.145 (1,57/3,68)	.280 (7,11)	.080 (2,03)	.400 (10,16)
27AC0005	AC 5	.213/.223 (5,41/5,66)	.125/.187 (3,18/4,75)	.370 (9,40)	.060 (1,52)	.540 (13,72)
27AC0006	AC 6	.182/.192 (4,62/4,88)	.310/.330 (7,87/8,38)	.370 (9,40)	.060 (1,52)	.540 (13,72)
27AC0007	AC 7	.213/.223 (5,41/5,66)	.062/.125 (1,57/3,18)	.370 (9,40)	.060 (1,52)	.450 (11,43)
27AC0009	AC 9	.250/.260 (6,39/6,60)	.125/.187 (3,18/4,75)	.484 (12,29)	.060 (1,52)	.575 (14,61)
27AC0010	AC 10	.062/.065 (1,57/1,65)	.010/.031 (0,25/0,79)	.100 (2,54)	.020 (0,51)	.125 (3,18)
27AC0011	AC 11	.182/.192 (4,62/4,88)	.165/.185 (4,19/4,70)	.375 (9,53)	.060 (1,52)	.525 (13,33)
27AC0012	AC 12	.195/.200 (4,95/5,08)	.035/.065 (0,89/1,65)	.370 (9,40)	.056 (1,42)	.350 (8,89)
27AC0013	AC 13	.130/.132 (3,30/3,35)	.125/.140 (3,18/3,56)	.270 (6,85)	.070 (1,77)	.310 (7,87)
27AC0014	AC 14	.145/.150 (3,68/3,71)	.290/.300 (7,37/7,62)	.270 (6,85)	.070 (1,77)	.530 (13,46)
27AC0015	AC 15	.118/.122 (3,00/3,10)	.062/.125 (1,57/3,18)	.280 (7,11)	.060 (1,52)	.390 (9,91)
27AC0016	AC 16	.250/.260 (6,35/6,60)	.360/.380 (9,14/9,65)	.615 (15,62)	.065 (1,65)	.810 (20,57)
** 27AC0017	AC 17	.320/.335 (8,38/8,50)	.062/.340 (1,57/8,63)	.683 (17,35)	.070 (1,77)	.900 (22,86)
27AC0018	AC 18	.160/.165 (4,06/4,19)	.032/.125 (0,81/3,18)	.280 (7,11)	.080 (2,03)	.400 (10,16)
** 27AC0019	AC 19	.330/.340 (8,38/8,64)	.125/.350 (3,18/8,88)	.685 (17,45)	.070 (1,77)	.895 (22,74)
27AC0020	AC 20	.120/.135 (3,02/3,43)	.062/.125 (1,58/3,18)	.270 (6,85)	.040 (1,01)	.330 (8,38)
** 27AC0021	AC 21	.250/.260 (6,35/6,57)	.125/.250 (3,18/6,35)	.500 (12,70)	.050 (1,27)	.630 (16,0)
27AC0022	AC 22	.085/.090 (2,16/2,29)	.032/.107 (0,81/2,72)	.125 (3,18)	.030 (0,76)	.187 (4,75)
27AC0023	AC 23	.335/.345 (8,51/8,76)	.062/.140 (1,57/3,56)	.866 (22,00)	.050 (1,27)	.450 (11,43)
27AC0024	AC 24	.250/.260 (6,25/6,60)	.500/.750 (12,7/19,1)	.610 (15,49)	.068 (1,73)	1.135 (28,83)
27AC0026	AC 26	.240/.260 (6,10/6,60)	.095/.218 (2,41/5,54)	.750 (19,05)	.055 (1,40)	.632 (16,05)
27AC0027	AC 27	.062/.065 (1,57/1,65)	.010/.031 (0,25/0,79)	.100 (2,54)	.020 (0,51)	.187 (4,75)
27AC0028*	AC 28	.192/.212 (4,88/5,38)	.062/.125 (1,57/3,17)	.375 (9,53)	.060 (1,52)	.450 (11,43)
** 27AC0029	AC 29	.330/.340 (8,38/8,64)	.125/.350 (3,18/8,89)	.475 (12,07)	.070 (1,77)	.895 (22,73)
27AC0030	AC 30	.160/.165 (4,06/4,19)	.032/.125 (8,81/3,18)	.300 (7,62)	.110 (2,79)	.400 (10,16)
27AC0031	AC 31	.182/.192 (4,62/4,88)	.200/.250 (5,08/6,35)	.270 (6,85)	.070 (1,77)	.528 (13,41)
27AC0032	AC 32	.155/.162 (3,94/4,11)	.300/.310 (7,62/7,87)	.270 (6,85)	.070 (1,77)	.535 (13,59)
27AC0033	AC 33	.182/.192 (4,62/4,88)	.165/.185 (4,19/4,70)	.472 (11,99)	.060 (1,52)	.525 (13,34)
27AC0034	AC 34	.147 (3,73)	.220/.240 (5,58/6,09)	.270 (6,85)	.070 (1,77)	.414 (10,51)

* PART HAS NO WEBBING ** FLAT HEADSYTLE



PANEL FASTENERS AND HOLE PLUGS

SECTION
VI

"SPECIAL ITEMS" ARROW CLIPS

Molded in **Natural Nylon 6/6**

Special Item Arrow Clips are designed to provide unique fasteners for assembly applications where larger panel thicknesses and or mounting diameters combined with increased fastening strength is required.

New

Hole Size .312 (7,92)
Panel Thickness .062/.125 (1,57/3,17)

PART NUMBER 401048

New

Hole Size .250 (6,35)
Panel Thickness .172 (4,36)

PART NUMBER 401044

New

Hole Size .156 (3,96)
Panel Thickness .147 (3,73)

PART NUMBER 401045

Hole Size .250 (6,35)
Panel Thickness .156 (3,96)

PART NUMBER 401010

Hole Size .190 (4,82)
Panel Thickness .156 (3,96)

PART NUMBER 401011

Hole Size .285 (7,23)
Panel Thickness .125 (3,17)

PART NUMBER 401014

Hole Size .312 (7,92)
Panel Thickness .219 (5,56)

PART NUMBER 401006

NOTES:
HOLE SIZE -.140
PANEL THICKNESS -.093

Hole Size .140 (3,55)
Panel Thickness .093 (2,36)

PART NUMBER 401032

Hole Size .250 (6,35)
Panel Thickness .125 (3,17)

PART NUMBER 401033



PANEL FASTENERS AND HOLE PLUGS

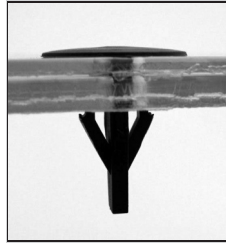
SECTION VI

"SPECIAL ITEMS" ARROW CLIPS

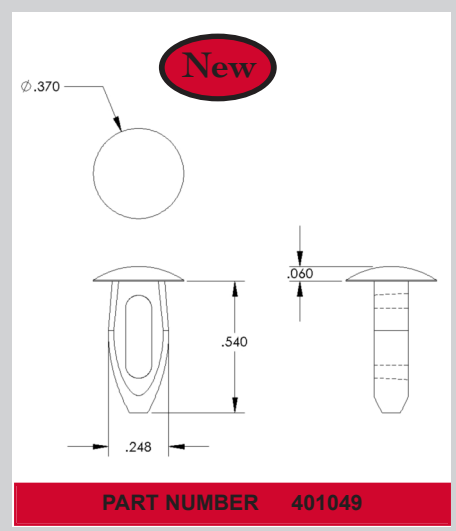
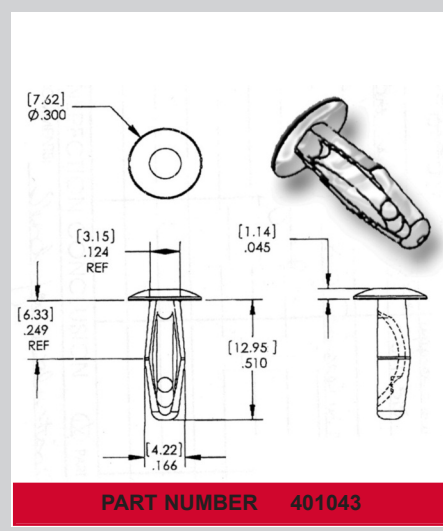
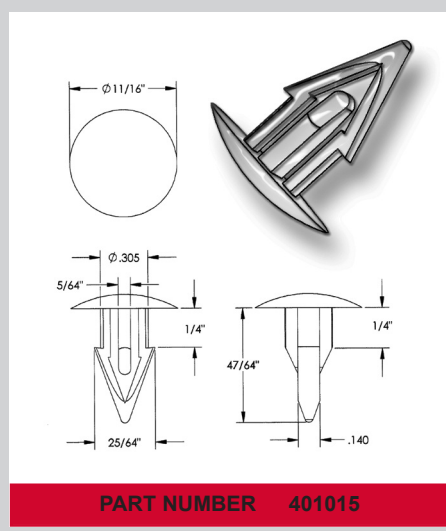
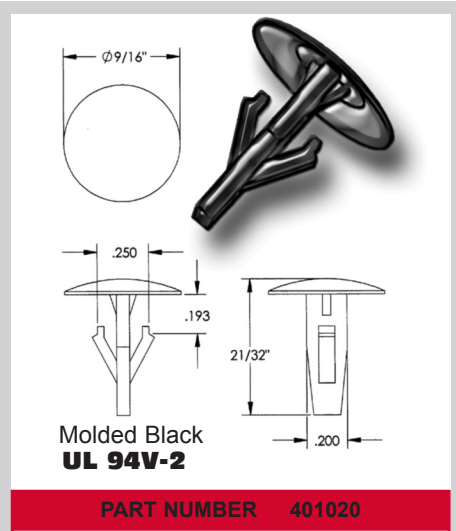
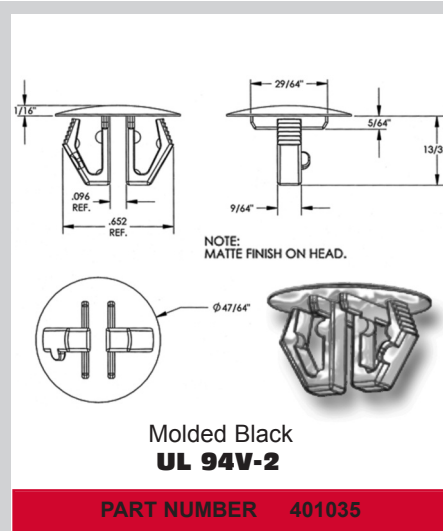
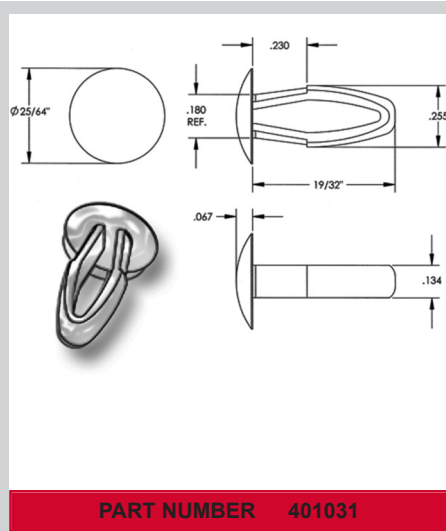
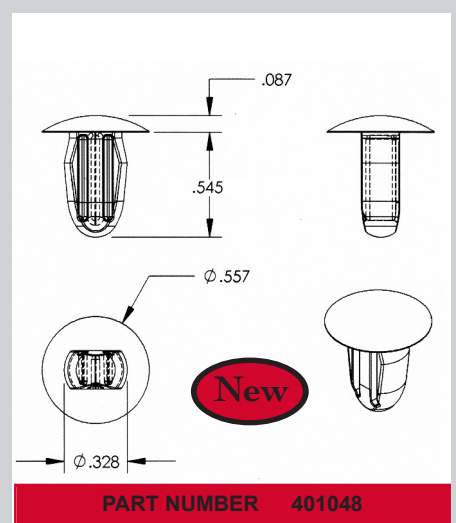
Molded in **Natural Nylon 6/6**
part numbers **401020 & 401035** molded **Black**.

Micro Plastics' Special Item Arrow Clips are designed to provide unique fasteners for assembly applications where larger panel thicknesses and or mounting diameters combined with increased fastening strength is required.

Molded from UL 94V-2 Nylon 6/6 for corrosion, abrasion and vibration resistance.



ITEM NUMBER	HOLE SIZE RND	PANEL THICKNESS	OD	HEIGHT	LENGTH
401015	.330 (8,38)	.250 (6,35)	11/16 (17,45)	.090 (2,29)	47/64 (18,64)
401031	.219 (5,56)	.225 (5,72)	25/64 (9,91)	.067 (1,70)	19/32 (15,06)
401035	.531 (13,49)	.125 (3,18)	47/64 (18,64)	1/16 (1,57)	13/32 (10,31)
401020	.250 (6,35)	.187 (4,75)	9/16 (14,27)	.080 (2,03)	21/32 (16,66)
401043	.124 (3,15)	.249 (6,33)	.300 (7,62)	.045 (1,14)	.510 (12,95)
401048	.312 (7,92)	.062-.125 (1,57-3,17)	.557 (14,14)	.087 (2,20)	.545 (13,84)
401049	.213-.223 (5,41-5,66)	.125-.187 (3,17-4,74)	.370 (9,39)	.060 (1,52)	.540 (13,71)



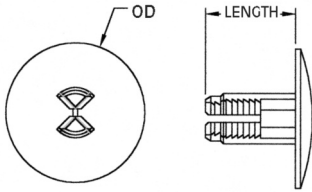
PANEL FASTENERS AND HOLE PLUGS

SECTION
VI

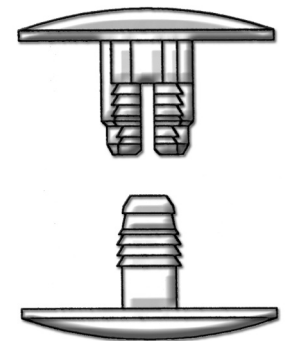
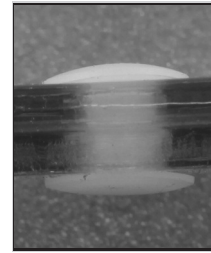
RATCHETING ACTION RIVETS

Molded in **Natural Nylon 6/6**

Ratcheting action rivets feature a rigid design which provides an outstanding bond created by the action of the interlocking gripper teeth. With the larger head diameter, Ratcheting action rivets make binding of soft materials a simple application.



- RATCHETING ACTION RIVETS ARE MOLDED IN NYLON 6/6 AND AVAILABLE IN BLACK OR NATURAL.
- PLEASE ADD A COLOR CODE TO THE END OF EACH PART NUMBER IDENTIFYING YOUR COLOR CHOICE.
- CODE **B** = BLACK CODE **N** = NATURAL
- COMPLETE ASSEMBLY REQUIRES TWO PARTS. THEY SNAP INTO EACH OTHER, HOLDING FLAT PANELS TOGETHER.

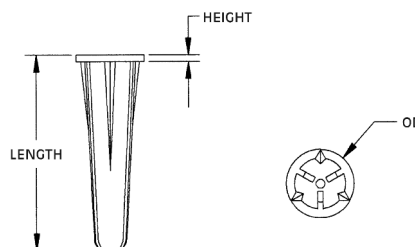


ITEM NUMBER	*REF. DIM. OD	*REF. DIM LENGTH	HOLE SIZE RND	PANEL THICKNESS
27QB375250	3/8" (9,53)	7/32" (5,5)	1/4" (6,35)	.235/.297 (5,97/7,54)
27QB375375	3/8" (9,53)	11/32" (8,73)	1/4" (6,35)	.346/.500 (8,79/12,70)
27QB375750	3/8" (9,53)	1/2" (12,70)	1/4" (6,35)	.500/.812 (12,70/20,62)
27QB371000	3/8" (9,53)	3/4" (19,05)	1/4" (6,35)	.780/1.375 (19,81/34,93)
27QB400250	.406 (10,31)	7/32" (5,5)	9/32" (7,14)	.235/.297 (5,97/7,54)
27QB400375	.406 (10,31)	11/32" (8,73)	9/32" (7,14)	.346/.500 (8,79/12,70)
27QB400750	.406 (10,31)	1/2" (12,70)	9/32" (7,14)	.500/.812 (12,70/20,62)
27QB401000	.406 (10,31)	3/4" (19,05)	9/32" (7,14)	.780/1.375 (19,81/34,93)
27QB625250	5/8" (15,88)	7/32" (5,5)	1/4" (6,35)	.235/.297 (5,97/7,54)
27QB625375	5/8" (15,88)	11/32" (8,73)	1/4" (6,35)	.346/.500 (8,79/12,70)
27QB625750	5/8" (15,88)	1/2" (12,70)	1/4" (6,35)	.500/.812 (12,70/20,62)
27QB621000	5/8" (15,88)	3/4" (19,05)	1/4" (6,35)	.780/1.375 (19,81/34,93)
27QB700250	3/4" (19,05)	7/32" (5,5)	9/32" (7,14)	.235/.297 (5,97/7,54)
27QB700375	3/4" (19,05)	11/32" (8,73)	9/32" (7,14)	.346/.500 (8,79/12,70)
27QB700750	3/4" (19,05)	1/2" (12,70)	9/32" (7,14)	.500/.812 (12,70/20,62)
27QB701000	3/4" (19,05)	3/4" (19,05)	9/32" (7,14)	.780/1.375 (19,81/34,93)
27QB1300600	1 3/8 (34,93)	7/16 (11,10)	7/16 (11,10)	.437/.750 (11,10/19,05)

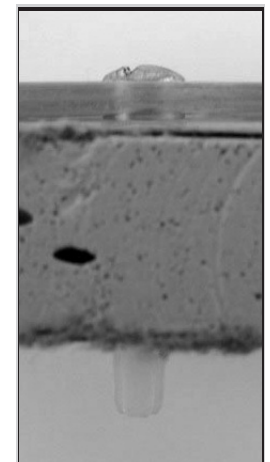
SCREW ANCHORS

Molded in **Natural Nylon 6/6**

Multi-use, light duty Nylon Anchor for use with sheet metal or wood screws. Nylon Anchors can be used in wood, masonry block, concrete, tile, brick or sheet metal. Anchor has twist resisting flange for use in thin wall and hollow materials. Anchors can be color coded for size identification. Metal screw not included.



ITEM NUMBER	SCREW SIZE	HOLE SIZE RND	OD	HEIGHT	LENGTH
61WA210875	#6-8	3/16 (4,76)	5/16 (7,94)	.037 (0,94)	7/8 (22,22)
61WA281700	#10-12	1/4 (6,35)	3/8 (9,53)	.037 (0,94)	1-5/64 (27,38)
61WA351385	#14-16	5/16 (7,94)	7/16 (11,11)	.037 (0,94)	1 3/8 (31,93)



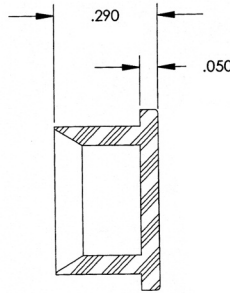
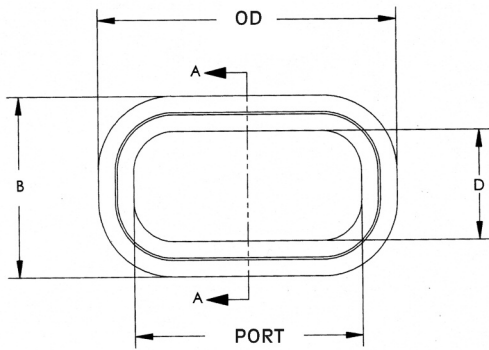
PANEL FASTENERS AND HOLE PLUGS

SECTION VI

PORT COVER

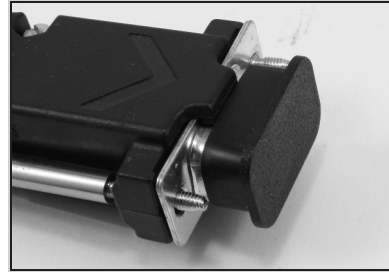
Molded in **Black Polyethylene**

Micro Plastics port covers are available in black Polyethylene. Used to cover 15 pin female or 9 pin male comm and video ports to prevent damage from foreign materials. Parts do not have to be oriented to angled side of wall of port.



Watch Instructional Video

[mms://www.microplastics.com/productvideos/PortCover.asf](https://www.microplastics.com/productvideos/PortCover.asf)

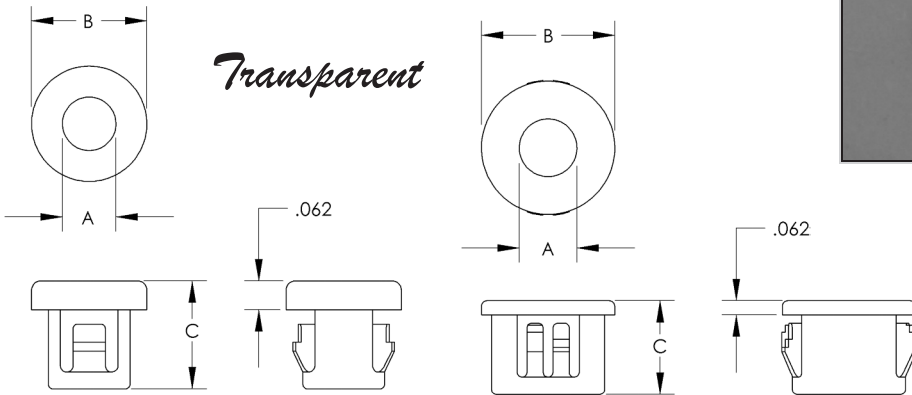
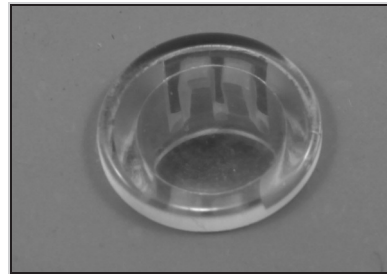


PART NUMBER	DESCRIPTION	OD	B	PORT	D
62PC0009	9 PIN <u>Male</u> Port Cover BLACK	.850 (2,16)	.550 (14,0)	.690 (17,5)	.350 (8,89)
62PC0015	15 PIN <u>Female</u> Port Cover BLACK	.825 (21,0)	.488 (12,4)	.632 (16,1)	.297 (7,54)

WINDOW PLUGS

Molded in **Clear Copolyester**

WINDOW PLUGS are molded in Clear Copolyester material. The headstyle is flat to minimize distortion.



STYLE "A"

STYLE "B"



ITEM NUMBER	DESCRIPTION	A HOLE DIAMETER RND	PANEL THICKNESS	B OD	C LENGTH	STYLE
* 62WP0187	3/16" Window Plug	.187 (4,8)	.062 (1,6)	.250 (6,4)	.234 (5,9)	A
* 62WP0250	1/4" Window Plug	.250 (6,4)	.062 (1,6)	.312 (8,0)	.312 (8,0)	A
* 62WP0312	5/16" Window Plug	.312 (8,0)	.062 (1,6)	.375 (9,5)	.312 (8,0)	A
* 62WP0375	3/8" Window Plug	.375 (9,5)	.125 (3,2)	.468 (12,0)	.406 (10,3)	B
* 62WP0437	7/16" Window Plug	.437 (11,0)	.125 (3,2)	.531 (13,5)	.406 (10,3)	B
* 62WP0500	1/2" Window Plug	.500 (12,7)	.125 (3,2)	.578 (14,6)	.406 (10,3)	B
62WP0625	5/8" Window Plug	.625 (15,9)	.125 (3,2)	.718 (18,2)	.406 (10,3)	B

* MINIMUM ORDER QUANTITY 1,000 PIECES

