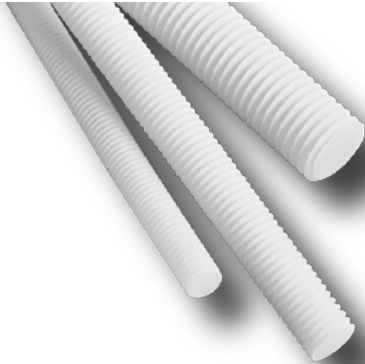


METRIC SCREWS, BOLTS & THREADED ROD

SECTION
XII

ALL DIMENSIONS ARE IN MILLIMETERS

This versatile threaded rod stock is easily cut to size, resistant to most chemicals, electrically insulating, non-magnetic, light-weight, low thermal conductivity, vibration and abrasion resistant. Stock length is 1 meter. We can furnish cut to your length with a nominal cutting charge. Other plastic materials can be furnished on special order.



THREADED ROD

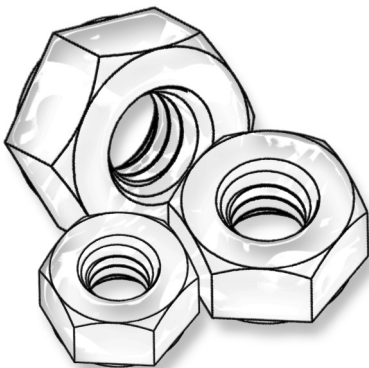
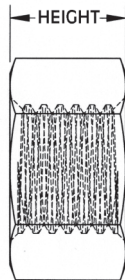
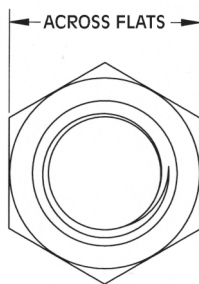
Molded in Natural Nylon 6/6

ITEM NUMBER	SCREW SIZE	THREAD
38M030050TR	M3	.5
38M040070TR	M4	.7
38M050080TR	M5	.8
38M060100TR	M6	1.0
38M080125TR	M8	1.25

METRIC NUTS

SECTION
XIII

ALL DIMENSIONS ARE IN MILLIMETERS



HEX NUTS - DIN 34814

Molded in Natural Nylon 6/6

ITEM NUMBER	SCREW SIZE		ACROSS FLATS		HEIGHT	
	SIZE	THREAD	MAX.	MIN.	MAX.	MIN.
04M030050HNDIN34814	M3	M3 X 0.5	5.5	5.32	2.4	2.15
04M040070HNDIN34814	M4	M4 X 0.7	7.0	6.78	3.2	2.9
04M050080HNDIN34814	M5	M5 X 0.8	8.0	7.78	4.7	4.4
04M060100HNDIN34814	M6	M6 X 1.0	10	9.78	5.2	4.9
04M080125HNDIN34814	M8	M8 X1.25	13	12.73	6.8	6.44
04M100150HNDIN34814	M10	M10X1.50	16	15.73	8.4	8.04
04M120175HNDIN34814	M12	M12X1.75	18	17.73	10.8	10.37
04M160200HNDIN34814	M16	M16X2.00	24	23.67	14.8	14.1

METRIC NUTS

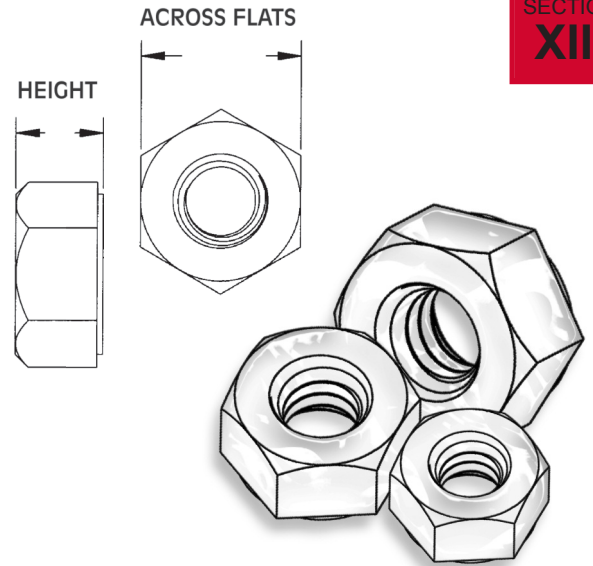
ALL DIMENSIONS ARE IN MILLIMETERS

SECTION
XIII

HEX NUTS

Molded in **Natural Nylon 6/6**

ITEM NUMBER	SCREW SIZE	THREAD	ACROSS FLATS	HEIGHT
04M020040HN	M2	0.4	3.9	1.2
04M025045HN	M2.5	0.45	4.9	1.8
04M030050HN	M3	0.5	5.4	2.2
04M035060HN	M3.5	0.6	6.9	2.7
04M040070HN	M4	0.7	6.9	3.0
04M050080HN	M5	0.8	7.9	4.3
04M060100HN	M6	1.0	10.0	5.4
04M080125HN	M8	1.25	12.9	6.4
04M100150HN	M10	1.50	14.8	9.8
04M120175HN	M12	1.75	17.74	10.54

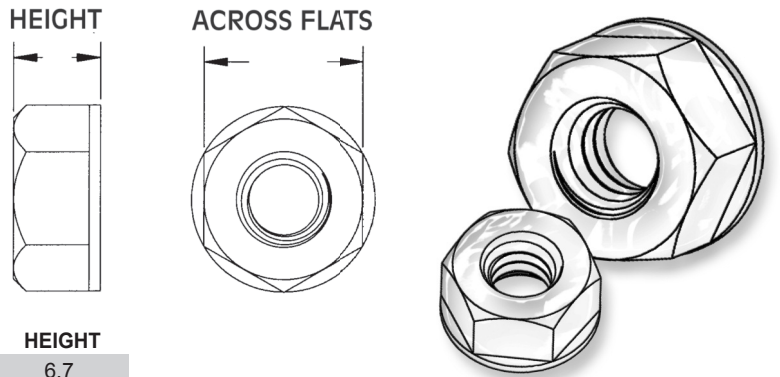


DESIGNED FOR STEEL SCREWS

LOCK NUTS

Molded in **Natural Nylon 6/6**

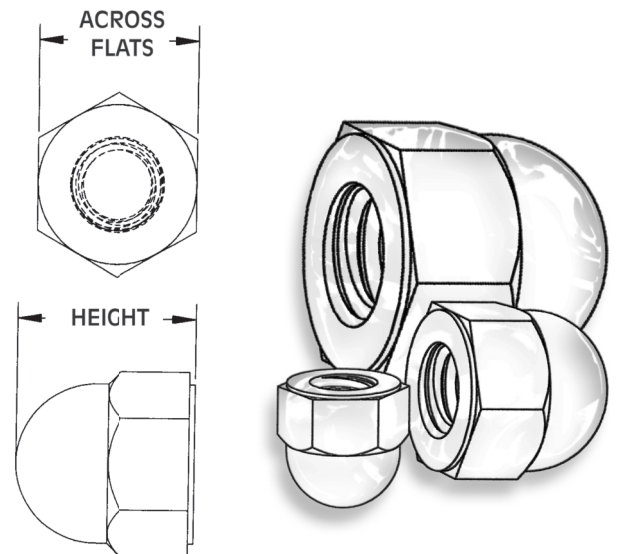
ITEM NUMBER	SCREW SIZE	THREAD	ACROSS FLATS	HEIGHT
07M060100LN	M6	1.0	10.9	6.7



CAP NUTS

Molded in **Natural Nylon 6/6**

ITEM NUMBER	SCREW SIZE	THREAD	ACROSS FLATS	HEIGHT
05M040070CN	M4	0.7	7.0	8.0
05M050080CN	M5	0.8	8.0	10.0
05M060100CN	M6	1.0	10.0	12.0
05M080125CN	M8	1.25	13.0	15.0
05M100150CN	M10	1.5	17.0	18.0
05M120175CN	M12	1.75	18.9	20.5
05M160200CN	M16	2.0	23.7	24.8
05M200250CN	M20	2.5	26.7	29.1



LOCKING CAP NUTS

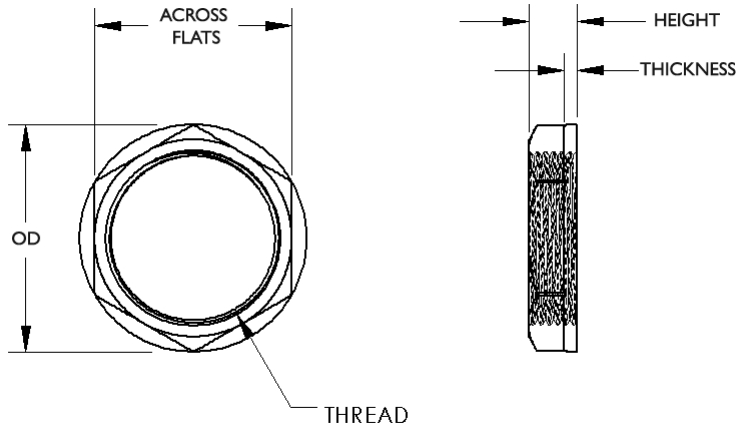
Molded in **Natural Nylon 6/6**

ITEM NUMBER	SCREW SIZE	THREAD	ACROSS FLATS	HEIGHT
05M040070LCN	M4	0.7	7.0	8.0
05M050080LCN	M5	0.8	8.0	10.0
05M060100LCN	M6	1.0	10.0	12.0

METRIC NUTS

SECTION
XIII

ALL DIMENSIONS ARE IN MILLIMETERS

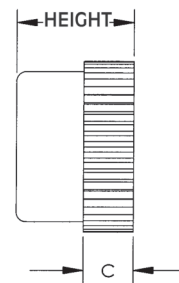
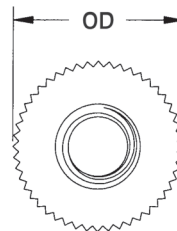


**New
SIZES**

HEX FLANGE NUTS

Molded in Natural Nylon 6/6

ITEM NUMBER	SCREW SIZE	THREAD	OD	ACROSS FLATS	HEIGHT	THICKNESS
04M030050WFHN	M3	.50	6.60	5.50	3.10	0.41
04M040070WFHN	M4	.70	8.80	7.00	3.40	0.76
04M050080WFHN	M5	.80	9.80	7.90	5.20	0.94
04M060100WFHN	M6	1.00	13.00	10.00	6.00	1.02
04M080125WFHN	M8	1.25	17.00	13.00	8.00	1.52
04M100150WFHN	M10	1.50	22.00	16.00	10.00	1.91
04M120175WFHN	M12	1.75	27.00	19.00	14.50	3.05
04M160150WFHN	M16	1.50	22.00	18.92	6.70	2.00
04M160200WFHN	M16	2.00	39.00	24.00	19.50	3.18
04M200150WFHN	M20	1.50	27.00	22.86	8.00	2.38
04M250150WFHN	M25	1.50	32.00	27.94	9.00	2.50
04M320150WFHN	M32	1.50	42.00	36.45	9.02	2.54



THUMB NUTS

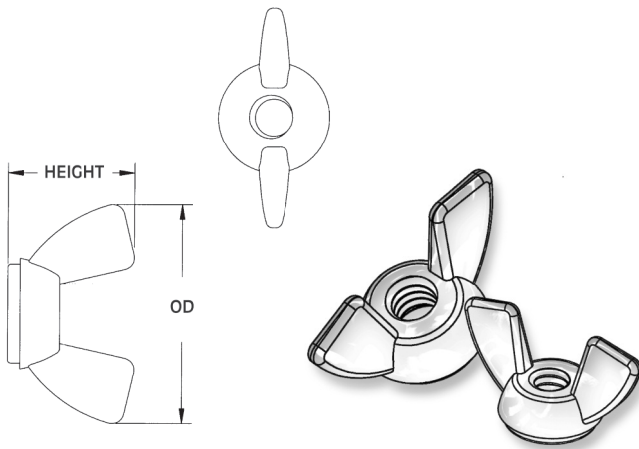
Molded in Natural Nylon 6/6

ITEM NUMBER	SCREW SIZE	THREAD	OD	HEIGHT	C
08M040070TN	M4	0.7	10.8	7.8	3.6

METRIC NUTS

ALL DIMENSIONS ARE IN MILLIMETERS

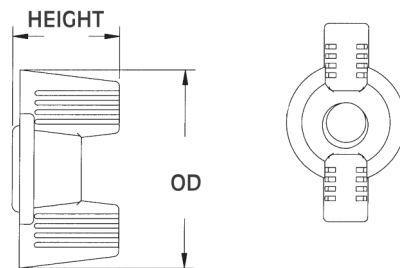
SECTION
XIII



WING NUTS

Molded in Natural Nylon 6/6

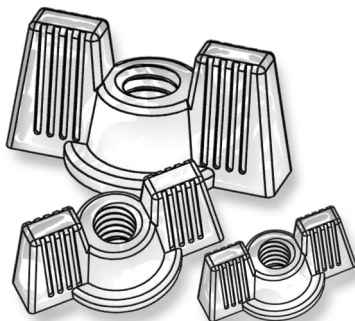
ITEM NUMBER	SCREW SIZE	THREAD	OD	HEIGHT
06M040070WN	M4	0.7	22.8	12.2
06M050080WN	M5	0.8	22.8	12.2
06M060100WN	M6	1.0	27.7	16.0
06M080125WN	M8	1.25	34.8	18.3
06M100150WN	M10	1.5	34.8	18.3
06M120175WN	M12	1.7	44.7	22.7



DECO WING NUTS

Molded in Natural Nylon 6/6

ITEM NUMBER	SCREW SIZE	THREAD	OD	HEIGHT
06M040070DWN	M4	0.7	16.0	8.0
06M050080DWN	M5	0.8	22.2	11.1
06M060100DWN	M6	1.0	29.7	13.4



DECO LOCKING WING NUTS

Molded in Natural Nylon 6/6

ITEM NUMBER	SCREW SIZE	THREAD	OD	HEIGHT
06M040070DLWN	M4	0.7	16.0	8.0
06M050080DLWN	M5	0.8	22.2	11.1
06M060100DLWN	M6	1.0	29.7	13.4