



Heyco® -Tite Snap-In-2® Liquid Tight Cordgrips

Pigtail™, Snap-In Hubs

For Panels from .062" (1,6 mm) to .125" (3,2 mm) Thick

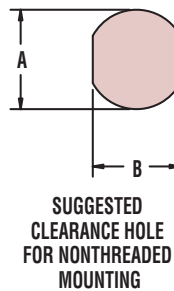
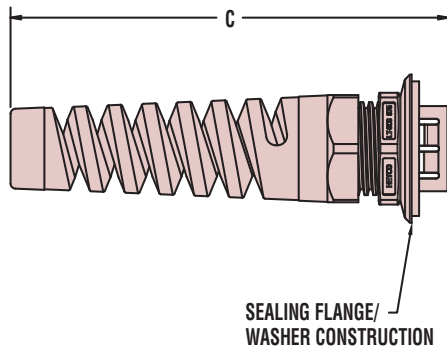
The Ultimate in Liquid Tight Strain Relief Protection



CABLE DIA. RANGE				PART NO.	DESCRIPTION	UL or RV	PANEL DIMENSIONS				C Max. O.A. Length	
Minimum		Maximum					Black	A Mounting Hole Dia.		B To Prevent Rotation		
in.	mm.	in.	mm.			in.	mm.	in.	mm.	in.	mm.	
.065	1,7	.210	5,3	M3862	Flex LTRSCG 500	RV	.500	12,7	.450	11,4	2.50	63,5
.115	2,9	.250	6,4	M3860	Flex LTSCG 500							
.065	1,7	.187	4,8	M3868	Flex LTRSCG 625	RV	.625	15,9	.550	14,0	2.83	71,9
.105	2,7	.312	8,0	M3866	Flex LTSCG 625							
.069	1,8	.250	6,4	M3874	Flex LTRSCG 750	RV	.750	19,1	.660	16,8	3.46	87,9
.230	5,8	.395	10,0	M3872	Flex LTSCG 750							
.095	2,4	.260	6,6	M3880	Flex LTRSCG 875	RV	.875	22,2	.770	19,6	3.86	98,0
.170	4,3	.450	11,4	M3878	Flex LTSCG 875							
.180	4,6	.440	11,2	M3886	Flex LTRSCG 1000	RV	1.000	25,4	.875	22,2	4.32	109,7
.260	6,6	.546	13,9	M3884	Flex LTSCG 1000							
.485	12,3	.709	18,0	M3896	Flex LTSCG 1125	RV	1.125	28,6	1.000	25,4	4.90	124,5

Standard color black.

- Integral nylon spring eases the cable into a lazy bend; prevents kinking and assures longest cable and product life.
- Easy installation—unique fingers securely snap into a range of panel thicknesses – up to .125" (3,2 mm) – with no tools or locknuts required.
- Sealing flange prevents sealing washer displacement due to water velocity to ensure a liquid tight IP 65 and IP 67 seal.
- Eliminate need for locknut or threaded hole to achieve liquid tight seal at panel; perfect for low clearance installation where locking nut access is limited.
- Ratchet design of sealing nut assembly provides superior anti-vibration and ensures a firm grip on the cable.
- Foam washer included.
- Rotation prevented when used in “Double D” mounting holes.
- Available in multiple sizes for flexible cord diameters ranging from .065" (1,7 mm) to .709" (18,0 mm).
- We recommend using the fitting with the smallest maximum diameter that will fit your application.
- Consult Heyco for cordgrips molded in other colors.



Material
Certifications

Nylon 6/6 w/Buna N or TPE Sealing Gland
 Recognized under Components Program of Underwriters' Laboratories File E51579

Certified by Canadian Standard Association File 93876C

Flammability Rating
Temperature Rating
IP Rating

94V-2
-22°F (-30°C) to 212°F (100°C)
IP 65 and IP 67

Quick
Specs