



Heyco®-Tite Liquid Tight Romex® Connectors Straight-Thru, NPT Hubs

With Integral Sealing Ring, Approved for NEMA 6 and 6P Applications

For Romex® NM-B and UF-B Cables. For use in clearance or threaded holes, electrical conduit couplings, and adapters.

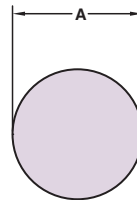
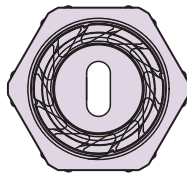
The Ultimate in Liquid Tight Strain Relief Protection



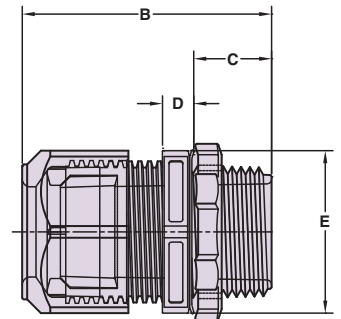
- **Multiple gland sizes for 12/2 through 14/3 Romex® NM-B and UF-B cable.** Consult Heyco for additional cable sizes.
- Hub sizes for 1/2 NPT and 3/4 NPT electrical knock-outs or threaded couplings. Consult Heyco for PG and Metric threaded hubs.
- Ratchet design of sealing nut assembly provides superior anti-vibration protection and ensures a firm grip on this cable.
- Integral Sealing Ring ensures a superior seal at mounting locations every time.
- All nylon construction with TPE sealing gland resists salt water, weak acids, gasoline, alcohol, oil, grease, and common solvents. (This feature is not assessed by UL.)
- Suitable for NEMA 6 and 6P enclosures.
- **Locknuts INCLUDED.**

| Romex® Type | AWG/ Conds. | WILL FIT THESE CABLES | | PART NO. Black with Assembled Steel Lcknt | DESCRIPTION | UL | PART DIMENSIONS | | | | | | | | | |
|-------------|-------------|-----------------------|------------|---|----------------------|----|---------------------|---------------------|---------------|--------------|------------|--------------|------------|------------|-------------|--------------|
| | | Approximate Size | | | | | A | | B | | C | | D | | E | |
| | | in. | mm. | | | | Clearance Hole Dia. | Max. Overall Length | Thread Length | Nut Thk | Flat Size | | | | | |
| NM-B | 14/2 | .19 x .39 | 4,9 x 9,9 | M3231GZA* M3234GZA | LTCG 1/2 LTCG 3/4 | UL | .875 1.040 | 22,2 26,4 | 1,70 2,00 | 43,2 50,8 | .61 .62 | 15,5 15,7 | .21 .25 | 5,3 6,4 | .98 1,30 | 24,9 33,0 |
| | | .21 x .42 | 5,3 x 10,7 | M3231GZB* M3234GZB | LTCG 1/2 LTCG 3/4 | UL | .875 1.040 | 22,2 26,4 | 1,70 2,00 | 43,2 50,8 | .61 .62 | 15,5 15,7 | .21 .25 | 5,3 6,4 | .98 1,30 | 24,9 33,0 |
| UF-B | 14/2 | .18 x .35 | 4,5 x 8,9 | M3234GZE | LTCG 3/4 | - | | | | | | | | | | |
| | | .19 x .42 | 4,8 x 10,7 | M3234GZF | LTCG 3/4 | UL | 1.040 | 26,4 | 2,00 | 50,8 | .62 | 15,7 | .25 | 6,4 | 1,30 | 33,0 |
| | | .19 x .63 | 4,8 x 16,1 | M3234GZG* | | | | | | | | | | | | |

Standard color black.
Assembled Metal Locknuts **INCLUDED**.
*CSA Certified by Canadian Standards Association File 93876.
For our complete line of Heyco-Tite Liquid Tight Cordgrips, see Section 3.



SUGGESTED CLEARANCE HOLE FOR NON - THREADED MOUNTING



Quick Specs

Material
Certifications
Flammability Rating
Temperature Rating
IP Rating

Nylon 6/6 with TPE Sealing Gland
UL Listed under Underwriters' Laboratories File E103540
94V-2
-22°F (-30°C) to 212°F (100°C)
IP 68