



Heyco® -Tite Liquid Tight Cordgrips in Halogen Free V-0 Nylon

Straight-Thru, PG & Metric Hubs with Integral Sealing Ring

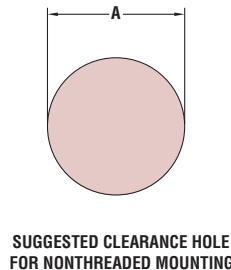
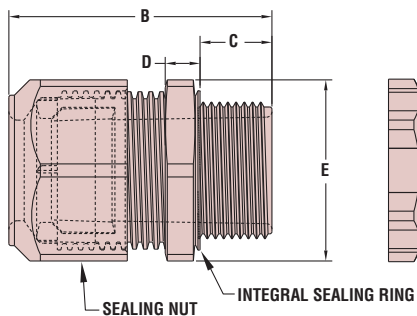
The Ultimate in Liquid Tight Strain Relief Protection

**NO O-RING
REQUIRED!**



CABLE DIA. RANGE				PART NO.	DESCRIPTION	UL or RA	PART DIMENSIONS										
Minimum		Maximum					Black	A		B		C		D		E	
in.	mm.	in.	mm.		Clearance Hole Dia.	Max. O.A. Length		Thread Length	Thread Length	Thickness	Wrenching Nut Flat Size	in.	mm.	in.	mm.		
PG Hubs																	
.065	1,7	.210	5,3	V3444	RLTCG 7	RA	.492	12,5	1.16	29,5	.32	8,1	.21	5,3	.63	16,0	
.115	2,9	.250	6,4	V3207	LTCG 7												
.065	1,7	.230	5,8	V3446	RLTCG 9	RA	.599	15,2	1.25	31,8	.32	8,1	.21	5,3	.83	21,0	
.105	2,7	.315	8,0	V3210	LTCG 9												
NEW!	.069	1,8	.260	6,6	V3448	RLTCG 11	RA	.733	18,6	1.48	37,6	.38	9,7	.21	5,3	.94	23,9
	.230	5,8	.400	10,2	V3213	LTCG 11											
	.095	2,4	.290	7,4	V4500	RLTCG 13.5	UL	.804	20,4	1.53	38,9	.41	10,4	.21	5,3	.98	24,9
	.170	4,3	.450	11,4	V3216	LTCG 13.5											
NEW!	.180	4,6	.400	10,2	V4502	RLTCG 16	UL	.886	22,5	1.68	42,7	.44	11,2	.25	6,4	1.07	27,0
	.270	6,9	.545	13,8	V3219	LTCG 16											
	.250	6,4	.490	12,4	V3454	RLTCG 21	UL	1.115	28,3	1.89	48,0	.52	13,2	.25	6,4	1.30	33,0
	.435	11,1	.705	17,9	V3222	LTCG 21											
NEW!	.490	12,4	.785	19,9	V4504	RLTCG 29	UL	1.470	37,3	2.23	56,6	.58	14,7	.30	7,6	1.73	43,9
	.590	15,0	1.000	25,4	V3225	LTCG 29											
Metric Hubs																	
.095	2,4	.290	7,4	V4338	RLTCG M20	UL	.787	20,0	1.49	37,8	.41	10,4	.21	5,3	.98	24,9	
.170	4,3	.450	11,4	V4340	LTCG M20												
NEW!	.250	6,4	.490	12,4	V4342	RLTCG M25	UL	.985	25,0	1.89	48,0	.51	13,0	.26	6,6	1.30	33,0
	.435	11,1	.705	17,9	V4344	LTCG M25											
NEW!	.490	12,4	.785	19,9	V4346	RLTCG M32	UL	1.260	32,0	2.23	56,6	.57	14,5	.30	7,6	1.73	43,9
	.590	15,0	1.000	25,4	V4348	LTCG M32											

Standard color black.



- Molded from a nylon material which, in the event of a fire, will not burn and will not produce toxic gases. Also formulated for sunlight resistance.
- Integral Sealing ring ensures a superior seal at the clearance or threaded mounting hole location, every time.
- Widest range of approved cable diameters.
- IP 68 rated.
- Approved for **NEMA 6 and 6P** applications.
- Ratchet design of sealing nut assembly provides superior anti-vibration protection and ensures a firm grip on the cable.
- Acme threads on body prevent skipping and speed installation.
- All nylon construction with Buna N sealing gland resists salt water, weak acids, gasoline, alcohol, oil, grease, and common solvents. (This feature is not assessed by UL).
- We recommend using the cordgrip with the smallest maximum diameter that will fit your application.
- **Unassembled Nylon Locknuts INCLUDED**
- For Nylon Locknut specifications, or to order nylon locknuts separately, see page 3-39.
- For Heyco Liquid Tight Threaded Plugs, see page 3-43.
- Consult Heyco for cordgrips molded in other colors.

Material Certifications

- UL Nylon 6/6 Non-halogenated w/Buna N Sealing Gland Listed under Underwriters' Laboratories File E51579
- RA Recognized under the Component Program of Underwriters' Laboratories File E51579
- CS Certified by Canadian Standard Association File 93876C
- CE Marks License #136681 (Metric parts only)
- CE Per EC Low Voltage Directive 73/23/EEC (Metric parts only)

**Flammability Rating
Temperature Rating**

94V-0
Static -40°F (-40°C) to 212°F (100°C)
Dynamic 4°F (-20°C) to 212°F (100°C)

IP Rating

IP 68 (70 PSI, 5 BAR)

Quick Specs