



**NO O-RING
REQUIRED!**



Heyco®-Tite Liquid Tight Cordgrips in Halogen Free V-0 Nylon

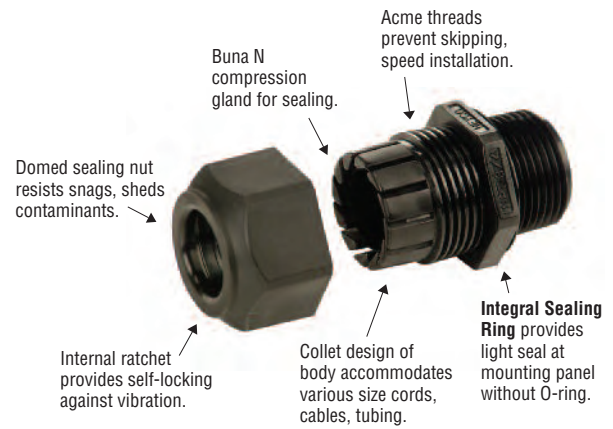
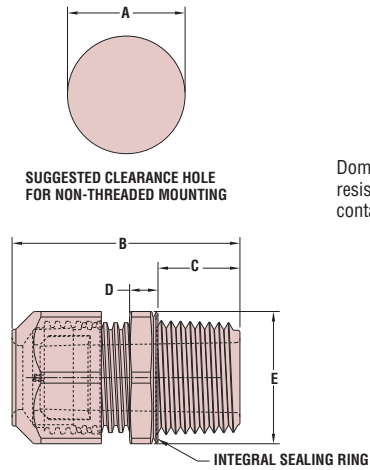
Straight-Thru, NPT Hubs with Integral Sealing Ring

The Ultimate in Liquid Tight Strain Relief Protection

- **Molded from a nylon material which, in the event of a fire, will not burn and will not produce toxic gases.** Also formulated for sunlight resistance.
- Integral Sealing ring ensures a superior seal at the clearance or threaded mounting hole location, every time.
- Widest range of approved cable diameters.
- IP 68 rated.
- Approved for **NEMA 6 and 6P** applications.
- Ratchet design of sealing nut assembly provides superior anti-vibration protection and ensures a firm grip on the cable.
- Acme threads on body prevent skipping and speed installation.
- All nylon construction with Buna N sealing gland resists salt water, weak acids, gasoline, alcohol, oil, grease, and common solvents. (This feature is not assessed by UL).
- We recommend using the cordgrip with the smallest maximum diameter that will fit your application.
- Locknuts not included. For Nylon Locknut specifications, or to order nylon locknuts separately, see page 3-39.
- For Heyco Liquid Tight Threaded Plugs, see page 3-43.
- Consult Heyco for cordgrips molded in other colors.

| CABLE DIA. RANGE | | | | PART NO. | DESCRIPTION | UL or RA | PART DIMENSIONS | | | | | | | | | |
|------------------|-------------|-------------|-------------|--------------|--------------|----------|-----------------|-----------------------|------|--------------------|-----|-----------------|-----|---------------------------|------|-------------|
| Minimum in. | Maximum in. | Minimum mm. | Maximum mm. | | | | Black | A Clearance Hole Dia. | | B Max. O.A. Length | | C Thread Length | | D Wrenching Nut Thickness | | E Flat Size |
| .065 | 1,7 | .210 | 5,3 | V4514 | RLTCG 1/4 | RA | .540 | 13,7 | 1.29 | 32,8 | .45 | 11,4 | .21 | 5,3 | .63 | 16,0 |
| .115 | 2,9 | .250 | 6,4 | V4516 | LTCG 1/4 | | | | | | | | | | | |
| .065 | 1,7 | .230 | 5,8 | V3458 | RLTCG 3/8 | RA | .680 | 17,3 | 1.41 | 35,8 | .49 | 12,4 | .21 | 5,3 | .83 | 21,1 |
| .105 | 2,7 | .315 | 8,0 | V3228 | LTCG 3/8 | | | | | | | | | | | |
| .095 | 2,4 | .290 | 7,4 | V4518 | RLTCG 1/2 | UL | .875 | 22,2 | 1.70 | 43,2 | .61 | 15,5 | .21 | 5,3 | .98 | 24,9 |
| .170 | 4,3 | .450 | 11,4 | V3231 | LTCG 1/2 | | | | | | | | | | | |
| .180 | 4,6 | .400 | 10,1 | V4520 | RLTCG LL 1/2 | UL | .875 | 22,2 | 1.68 | 42,7 | .44 | 11,2 | .25 | 6,4 | 1.07 | 27,0 |
| .270 | 6,9 | .545 | 13,8 | V3200 | LTCG LL 1/2 | | | | | | | | | | | |
| .250 | 6,4 | .490 | 12,4 | V3460 | RLTCG 3/4 | UL | 1.040 | 26,4 | 2.00 | 50,8 | .62 | 15,7 | .25 | 6,4 | 1.30 | 33,0 |
| .435 | 11,0 | .705 | 17,9 | V3234 | LTCG 3/4 | | | | | | | | | | | |
| .490 | 12,4 | .785 | 19,9 | V8439 | RLTCG 1 | UL | 1.326 | 33,7 | 2.41 | 61,2 | .75 | 19,1 | .30 | 7,6 | 1.73 | 43,9 |
| .590 | 15,0 | 1.000 | 25,4 | V8437 | LTCG 1 | | | | | | | | | | | |
| .787 | 20,0 | 1.020 | 25,9 | V4522 | RLTCG 1-1/4 | UL | 1.680 | 42,7 | 2.69 | 68,3 | .77 | 19,6 | .31 | 7,9 | 2.05 | 52,1 |
| .865 | 22,0 | 1.260 | 32,0 | V4524 | LTCG 1-1/4 | | | | | | | | | | | |

Standard color black.



Quick Specs

| | |
|----------------------------|--|
| Material | Nylon 6/6 Non-halogenated w/Buna N Sealing Gland |
| Certifications | <ul style="list-style-type: none"> UL Listed under Underwriters' Laboratories File E51579 RA Recognized under the Component Program of Underwriters' Laboratories File E51579 CS Certified by Canadian Standard Association File 93876C |
| Flammability Rating | 94V-0 |
| Temperature Rating | Static -40°F (-40°C) to 212°F (100°C) Dynamic 4°F (-20°C) to 212°F (100°C) |
| IP Rating | IP 68 (70 PSI, 5 BAR) |