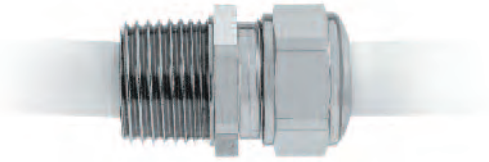




Heyco® -Tite Brass Liquid Tight Cordgrips

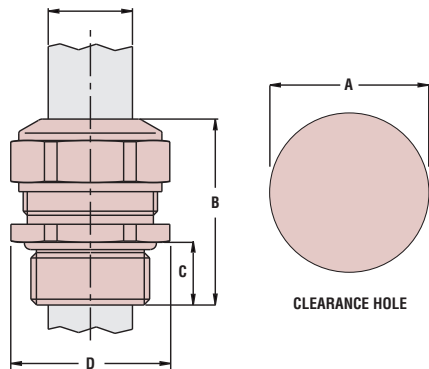
NPT Hubs

The Ultimate in Liquid Tight Strain Relief Protection



| CABLE DIA. RANGE | | | | PART NO. | THREAD SIZE | UL or RA | PART DIMENSIONS | | | | | | | |
|------------------|------|---------|------|----------|-------------|----------|--------------------------|------|-----------------------|------|--------------------|------|------------------------------|------|
| Minimum | | Maximum | | | | | A Clearance Hole Dia. | | B Max. O.A. Length | | C Thread Length | | D Wrenching Nut Flat Size | |
| in. | mm. | in. | mm. | | | | in. | mm. | in. | mm. | in. | mm. | in. | mm. |
| .118 | 3,0 | .157 | 4,0 | 4560 | NPT 1/8 | cULus | .445 | 11,3 | .905 | 23,0 | .315 | 8,0 | .512 | 13,0 |
| .157 | 4,0 | .236 | 6,0 | 4561 | | | | | | | | | | |
| .138 | 3,5 | .197 | 5,0 | 4562 | NPT 1/4 | cULus | .540 | 13,7 | 1.142 | 29,0 | .472 | 12,0 | .591 | 15,0 |
| .197 | 5,0 | .256 | 6,5 | 4563 | | | | | | | | | | |
| .256 | 6,5 | .315 | 8,0 | 4564 | | | | | | | | | | |
| .138 | 3,5 | .177 | 4,5 | 4565 | NPT 3/8 | cULus | .670 | 17,0 | 1.260 | 32,0 | .472 | 12,0 | .709 | 18,0 |
| .177 | 4,5 | .236 | 6,0 | 4566 | | | | | | | | | | |
| .236 | 6,0 | .315 | 8,0 | 4567 | | | | | | | | | | |
| .315 | 8,0 | .413 | 10,5 | 4568 | | | | | | | | | | |
| .236 | 6,0 | .315 | 8,0 | 4569 | | | | | | | | | | |
| .315 | 8,0 | .433 | 11,0 | 4570 | NPT 1/2 | cULus | .875 | 22,2 | 1.417 | 36,0 | .590 | 15,0 | .945 | 24,0 |
| .433 | 11,0 | .590 | 15,0 | 4571 | | | | | | | | | | |
| .374 | 9,5 | .492 | 12,5 | 4572 | NPT 3/4 | cULus | 1.068 | 27,1 | 1.575 | 40,0 | .590 | 15,0 | 1.181 | 30,0 |
| .492 | 12,5 | .630 | 16,0 | 4573 | | | | | | | | | | |
| .630 | 16,0 | .807 | 20,5 | 4574 | | | | | | | | | | |
| .551 | 14,0 | .669 | 17,0 | 4575 | NPT 1 | cULus | 1.375 | 34,9 | 1.890 | 48,0 | .787 | 20,0 | 1.417 | 36,0 |
| .669 | 17,0 | .827 | 21,0 | 4576 | | | | | | | | | | |
| .827 | 21,0 | 1.004 | 25,5 | 4577 | | | | | | | | | | |
| .787 | 20,0 | .945 | 24,0 | 4578 | NPT 1-1/4 | cULus | 1.680 | 42,7 | 2.008 | 51,0 | .787 | 20,0 | 1.811 | 46,0 |
| .945 | 24,0 | 1.122 | 28,5 | 4579 | | | | | | | | | | |
| 1.122 | 28,5 | 1.299 | 33,0 | 4580 | | | | | | | | | | |
| 1.142 | 29,0 | 1.299 | 33,0 | 4581 | NPT 1-1/2 | cULus | 1.920 | 48,8 | 2.205 | 56,0 | .866 | 22,0 | 2.165 | 55,0 |
| 1.299 | 33,0 | 1.457 | 37,0 | 4582 | | | | | | | | | | |
| 1.457 | 37,0 | 1.614 | 41,0 | 4583 | | | | | | | | | | |
| 1.378 | 35,0 | 1.575 | 40,0 | 4584 | NPT 2 | cULus | 2.395 | 60,8 | 2.323 | 59,0 | .866 | 22,0 | 2.756 | 70,0 |
| 1.575 | 40,0 | 1.811 | 46,0 | 4585 | | | | | | | | | | |
| 1.811 | 46,0 | 2.047 | 52,0 | 4586 | | | | | | | | | | |

- **Nickel plated brass construction** for superior protection of flexible cables.
- Nickel-plated finish over brass provides excellent corrosion resistance and durability.
- IP 68 rated.
- For use in clearance or threaded holes.
- Long NPT threads provide additional threads for easy locknut assembly.
- Multiple sizes for flexible cord diameters ranging from .118" (3,0 mm) to 2.047" (52,0 mm).
- We recommend using the smallest cordgrip that accommodates your cable size.
- Sealing gland is molded in Thermoplastic Polymer Elastomer (TPE) Material.
- **Locknuts not included.** For metal locknut specifications or to order locknuts separately, see page 3-40.



Material Nickel-Plated Brass w/TPE Sealing Gland
Certifications cULus Certified by UL for Compliance with both Canadian and U.S. requirements Under File E51579.
 cRAus Recognized under the Component Program of Underwriters' Laboratories File E51579 to both Canadian and U.S. requirements.
Temperature Rating -40°F (-40°C) to 212°F (100°C)
IP Rating IP 68, IP 69K

*Quick
Specs*