



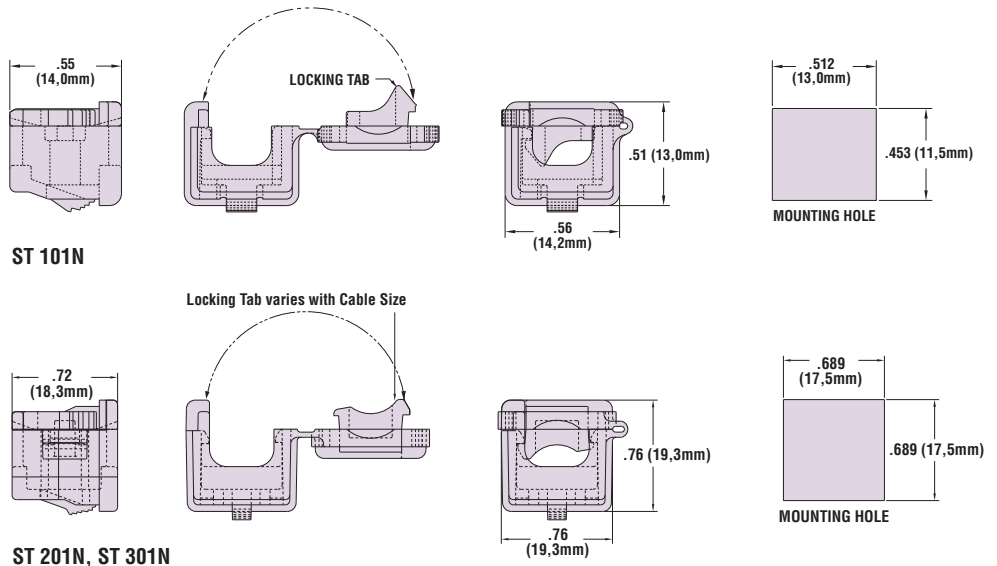
# Heyco® ST Lockit™ Strain Relief Bushings

Snap onto **Round Cables** for Faster Assembly into **Rectangular Mounting Holes** - *Semi-Automatic Equipment Available*

- **Assembly friendly!** Independent of insertion into the panel, Lockit Strain Reliefs **self-lock** onto the cable. Preassemble off line for final assembly at a later time or remote location, for lower installed cost!
- Lockit Strain Reliefs hold so well they pass the UL pull-out test requirements with or without panel support.
- Protect the lifeline of your electric/electronic products by absorbing the forces of push and pull that may be exerted on the flexible power cord. Rectangular design eliminates the possibility of part rotation under forces of twist.
- Lockit's three finger design securely anchors into panels as thin as .032" (0,8 mm) and as thick as .157" (4,0 mm) for a neat, clean appearance. Five locking steps accommodate a wide range of panel thicknesses. Low profile head satisfies design aesthetics!
- Heyco's automated Pre-Assembly Equipment speeds assembly of the Lockit onto the cable and thus lowers costs while greatly reducing risk of carpal tunnel syndrome. See pages 4-15 & 4-16.
- Consult Heyco for other wire types and sizes.
- See page 4-38 for corresponding **Mounting Hole Plugs** which can be used to fill blank/unused Mounting Holes and thus allow for a single panel design for multiple applications.

UL Type	WILL FIT THESE CABLES		PANEL DIMENSIONS				ST LOCKIT STRAIN RELIEF for Faster Assembly			Corresponding Mounting Hole Plug		
	AWG/ Conductors	Approximate Size		Mounting Hole Size		Thickness		PART NO.	DESC.	PART NO.	DESC.	
		in.	mm.	in.	mm.	in.	mm.					Black
See table on page 4-10	various	.220 - .290	5,6 - 7,4	.453 x .512	11,5 x 13,0	.032	0,8	1832	1833	ST 101N	1890	RP 115-130
						.040	1,1					
						.048	1,2					
						.063	1,6					
						.099	2,5					
See table on page 4-10	various	.290 - .360	7,4 - 9,1	.689 x .689	17,5 x 17,5	.032	0,8	1836	1837	ST 201N	1892	RP 175-175
						.063	1,6					
						.099	2,5					
						.126	3,2					
						.157	4,0					
See table on page 4-10	various	.355 - .420	9,0 - 10,6	.689 x .689	17,5 x 17,5	.032	0,8	1848	1849	ST 301N	1892	RP 175-175
						.063	1,6					
						.099	2,5					
						.126	3,2					
						.157	4,0					

Standard color black. Consult Heyco for white and other colors.



*Quick Specs*

Material	Nylon 6/6
Certifications	Recognized under the Component Program of Underwriters' Laboratories File E15331 Certified by the Canadian Standards Association File 8919
Flammability Rating	94V-2
Material Temperature Index	257° (125°C)–Maximum temperature on part not to exceed 221°F (105°C).