

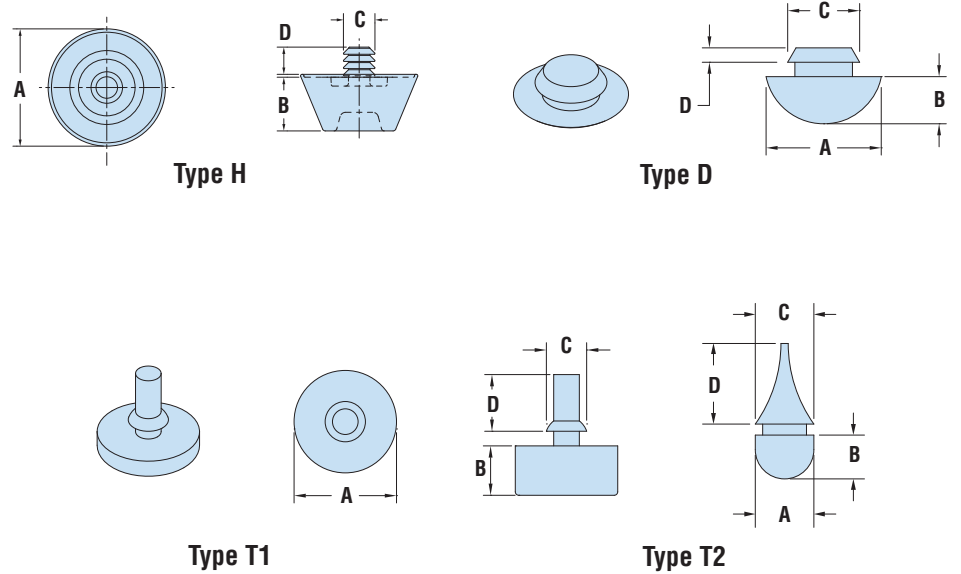


## Heyco® Rubber Push-In Bumpers

- Rubber bumpers are designed for through hole installation.
- Designed to fit snugly into your opening and not let air, water, etc. pass through.
- Can also be used as feet.
- For Heyco Adhesive-Backed Bumpers see page 75.
- Part Description Key: RGB X-Y-Z where X = Mounting Hole Diameter (inches), Y = Base Diameter (inches), and Z/32 = Base Height (inches).

PANEL DIMENSIONS				PART NO.	DESCRIPTION	MATERIAL	PART DIMENSIONS									
Mounting Hole Dia.	Maximum Thickness		Black				A Base Diameter		B Base Height		C Insert Diameter		D Insert Height			
	in.	mm.		in.	mm.	in.	mm.	in.	mm.	in.	mm.	in.	mm.			
<b>Type H</b>																
.203	5,2	.078	2,0	<b>G3116</b>	RGB 203-812-6	Santoprene	.81	20,6	.19	4,7						
				<b>G3117</b>	RGB 203-812-8	Santoprene	.81	20,6	.25	6,4	.22	5,6	.20	5,1		
				<b>G3118</b>	RGB 203-812-12	Santoprene	.81	20,6	.38	9,5						
<b>Type D</b>																
.218	5,5	.093	2,4	<b>G2016</b>	RGB 218-406-6	SBR	.41	10,4	.19	4,8	.28	7,1	.09	2,3		
.250	6,4	.047	1,2	<b>G2020</b>	RGB 250-500-6	SBR	.50	12,7	.17	4,3	.31	7,9	.19	4,8		
.312	7,9	.062	1,6	<b>G2035</b>	RGB 312-375-5	SBR	.38	9,7	.16	4,1	.38	9,7	.16	4,1		
.328	8,3	.094	2,4	<b>G2039</b>	RGB 328-846-6	SBR	.85	21,5	.19	4,8	.42	10,7	.27	6,9		
.500	12,7	.125	3,2	<b>G2043</b>	RGB 500-1000-6	SBR	1.00	25,4	.19	4,8	.63	16,0	.13	3,3		
<b>Type T1</b>																
.118	3,0	.098	2,5	<b>G2000</b>	RGB 118-236-4	EPDM	.24	6,1	.12	3,0	.20	5,1	.47	11,9		
.177	4,5	.059	1,5	<b>G2006</b>	RGB 177-334-9	SBR	.33	8,4	.30	7,6	.24	6,1	.73	18,5		
.218	5,5	.125	3,2	<b>G2017</b>	RGB 218-875-6	SBR	.88	22,4	.17	4,3	.34	8,7	.58	14,7		
<b>Type T2*</b>																
.187	4,7	.047	1,2	<b>G2009</b>	RGB 187-250-6	SBR	.25	6,4	.19	4,7	.23	5,8	.34	8,6		

Standard color black.  
\*Designed for pull through applications.



Quick Specs

Material	TPE, SBR, or EPDM
Temperature Range	-40°F (-40°C) to 221°F (105°C)