



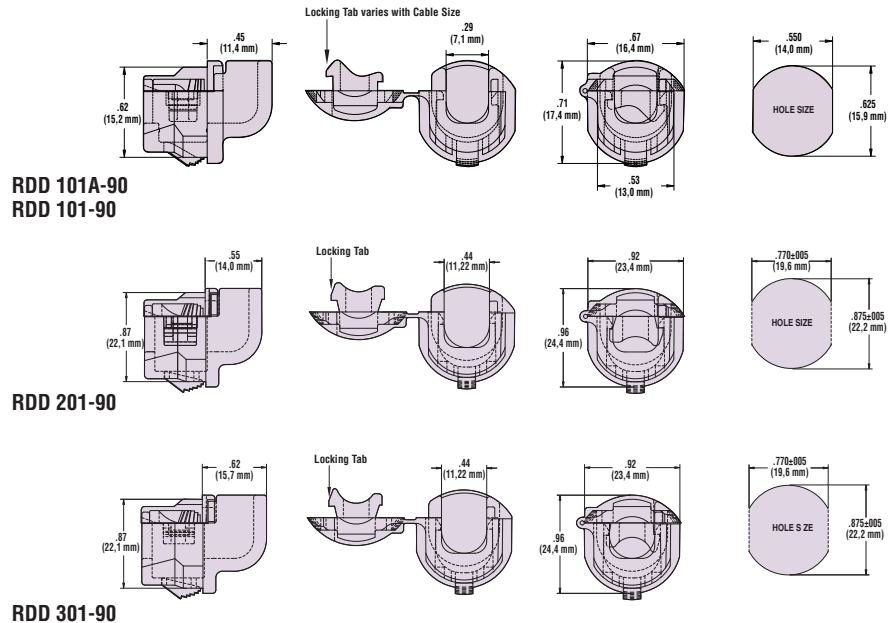
# Heyco® RDD Lockit™ Strain Relief Bushings – Right Angle

Snap onto **Round Cables** for Faster Assembly into **Double D Mounting Holes** - *Semi-Automatic Equipment Available*

- **Right Angle design eases the cable into the bend**, prevents kinking and assures longest cable and product life.
- Assembly friendly! Independent of insertion into the panel, RDD Lockit™ Strain Reliefs self-lock onto the cable. Preassemble RDD Lockits off line for final assembly at a later time or remote location, for lower installed cost!
- Install easily with fingertip pressure into a standard round or Double D hole. No tools required, even for hand assembly.
- Protect the lifeline of your electric/electronic products by absorbing the forces of push and pull that may be exerted on the flexible power cord. Double D design eliminates the possibility of part rotation under forces of twist.
- Multiple panel locking steps secure Lockit Strain Reliefs into a wide range of panel thicknesses for a **flush, finished fit**.
- Heyco’s automated Pre-Assembly Equipment speeds assembly of the RDD onto the cable and thus lowers costs while greatly reducing risk of carpal tunnel syndrome. See pages 4-15 & 4-16.
- Consult Heyco for other wire types and sizes.
- See page 4-38 for corresponding **Mounting Hole Plugs** which can be used to fill blank/unused Mounting Holes and thus allow for a single panel design for multiple applications.

UL Type	WILL FIT THESE CABLES		PANEL DIMENSIONS				RDD LOCKIT STRAIN RELIEF for Faster Assembly		Corresponding Mounting Hole Plug		
	AWG/ Conductors	Approximate Size in. mm.	Mounting Hole Size in. mm.		Thickness in. mm.		PART NO. Black	PART NO. White	PART NO.	DESC.	
AWM, SJTO & SJ	18/3	.130-.210	3.3-5.3	.625 w/ .550 flats	15.9 w/ 14.0 flats	.032 .040 .048 .063 .099	0.8 1.1 1.2 1.6 2.5	<b>1816</b>	<b>1817</b>	RDD 101A-90	2497 DD 625-550
See table on page 4-10	various	.220-.290	5.6-7.4	.625 w/ .550 flats	15.9 w/ 14.0 flats	.032 .040 .048 .063 .099	0.8 1.1 1.2 1.6 2.5	<b>1818</b>	<b>1819</b>	RDD 101-90	2497 DD 625-550
See table on page 4-10	various	.290-.385	7.4-9.8	.875 w/ .770 flats	22.2 w/ 19.6 flats	.032 .063 .099 .126 .157	0.8 1.6 2.5 3.2 4.0	<b>1820</b>	<b>1821</b>	RDD 201-90	2509 DD 875-770
See table on page 4-10	various	.340-.430	8.6-10.9	.875 w/ .770 flats	22.2 w/ 19.6 flats	.032 .063 .099 .126 .157	0.8 1.6 2.5 3.2 4.0	<b>1824</b>	<b>1825</b>	RDD 301-90	2509 DD 875-770

Standard color black. Consult Heyco for white and other colors.



*Quick Specs*

<b>Material</b>	Nylon 6/6
<b>Certifications</b>	Recognized under the Component Program of Underwriters' Laboratories File E15331
	Certified by the Canadian Standards Association File 8919
<b>Flammability Rating</b>	94V-2
<b>Material Temperature Index</b>	257°F (125°C)—Maximum temperature on part not to exceed 221°F (105°C).