



ALL NEW PRODUCTS!



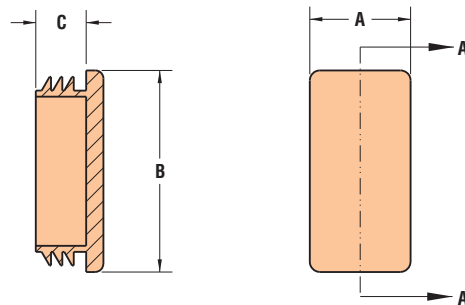
Heyco® Plugs for Rectangular Tubing

PZT Series - Ribbed Fit

TUBE DIMENSIONS						PART NO. Black	DESCRIPTION	PLUG	
A Outside Dimensions		B		Wall Thickness	Typical Gauge			C Depth	
in.	mm.	in.	mm.	in.			in.	mm.	
.50	12,7	1.00	25,4	.065 - .049	16 - 18	G5330	PZT 50-100-16	.43	10,9
		1.50	38,1	.083 - .035	14 - 20	G5331	PZT 50-150-14	.50	12,7
.63	15,9	1.12	28,6	.083 - .035	14 - 20	G5332	PZT 63-112-14	.43	10,9
		1.25	31,8	.083	14	G5334	PZT 63-125-14	.50	12,7
		1.38	34,9	.083 - .035	14 - 20	G5335	PZT 63-138-14	.43	10,9
.75	19,1	1.50	38,1	.083 - .035	14 - 20	G5336	PZT 75-150-14	.43	10,9
		1.25	31,8	.083 - .035	14 - 20	G5337	PZT 100-125-14	.50	12,7
1.00	25,4	1.50	38,1	.134 - .083	10 - 14	G5338	PZT 100-150-10		
				.083 - .035	14 - 20	G5339	PZT 100-150-14		
		2.00	50,8	.134 - .083	10 - 14	G5340	PZT 100-200-10		
				.083 - .035	14 - 20	G5341	PZT 100-200-14*		
				.065	16	G5342	PZT 100-200-16		
				2.50	63,5	.083 - .035	14 - 20	G5343	PZT 100-250-14
1.50	38,1			.065 - .049	16 - 18	G5344	PZT 100-250-16	.50	12,7
		3.00	76,2	.083 - .035	14 - 20	G5345	PZT 100-300-14	.51	13,0
		2.00	50,8	.134 - .083	10 - 14	G5346	PZT 150-200-10	.50	12,7
		2.50	63,5	.109 - .065	12 - 16	G5347	PZT 150-250-12	.53	13,5
1.96	49,8	3.00	76,2	.134 - .083	10 - 14	G5348	PZT 150-300-10	.50	12,7
		3.50	88,9	.134 - .083	10 - 14	G5349	PZT 150-350-10	.60	15,2
		3.94	100,1	.203 - .109	6 - 12	G5356	PZT 196-394-06M	.65	16,5
2.00	50,8	2.50	63,5	.134 - .083	10 - 14	G5351	PZT 200-250-10	.52	13,2
				.203 - .165	6 - 8	G5352	PZT 200-300-06		
		3.00	76,2	.134 - .083	10 - 14	G5353	PZT 200-300-10		
				.083 - .035	14 - 20	G5354	PZT 200-300-14	.50	12,7
		4.00	101,6	.203 - .120	6 - 11	G5355	PZT 200-400-06	.94	23,9
				.134 - .083	10 - 14	G5357	PZT 200-400-10	.50	12,7
		.083 - .035	14 - 20	G5358	PZT 200-400-14				
5.00	127,0			.165	8	G5359	PZT 200-500-08*	1.00	25,4
				.134	10	G5360	PZT 200-500-10*		

- Featuring the same external rib design of Heyco PSTR Series Plugs for Square Tubing, PZT Series Plugs for Rectangular Tubing are offered in a **broad selection of width-to-length proportions**, to fit many special tubing shapes found on stands for computer terminals, office machines, display fixtures, and similar metal furnishings and equipment.
- **Durable construction** ensures exceptional performance in business and commercial applications.
- See pages 6-35 through 6-39 for HEYCaps and Plugs for Round and Square Tubing.

Standard color black.
*Smooth (ie, not ribbed) shank.



Material	LDPE
Maximum Temperature Rating	175°F (79°C)

Quick Specs