



Heyco® Nylon Conduit Fittings

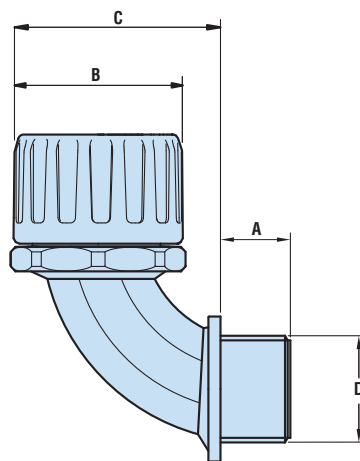
90° Sweep, NPT Hubs

For Flexible, Corrugated Nylon Conduit/Tubing

- Unitary design and assembled shipment allows fast fit.
- No threading of the conduit or tubing is required to install.
- For use with Heyco Nylon Corrugated Conduit/Tubing. See pages 2-19 and 2-20.
- Suitable for use with both coarse and/or fine pitch conduit/tubing.
- Protection class IP 66 per EN 60529 including high pressure water jet from any angle.
- Suitable for use by original equipment manufacturers.
- All nylon construction resists salt water, weak acids, gasoline, alcohol, oil, grease and common solvents. (This feature is not assessed by UL certification or testing.)
- Vibration and tamper resistant, but easily removed with a screwdriver.
- **Locknuts not included.** See page 2-12 for Nylon Locknuts.

FITS CONDUIT SIZE	PART NO.	DESCRIPTION	THREAD SIZE	PART DIMENSIONS BODY AND SEALING UNIT							
				A		B		C		D	
				Thread Length	Max. O.A. Diameter	Max. O.A. Length	Clearance Hole				
	Black			in.	mm.	in.	mm.	in.	mm.	in.	mm.
16 mm	F8606	FPA 16-050-90	1/2 NPT	.512	13,0	1.122	28,5	1.476	37,5	.875	22,2
21 mm	F8610	FPA 21-050-90	1/2 NPT	.512	13,0	1.260	32,0	1.555	39,5		
28 mm	F8616	FPA 28-075-90	3/4 NPT	.591	15,0	1.732	44,0	1.988	50,0	1.109	28,2
34 mm	F8620	FPA 34-100-90	1 NPT	.630	16,0	1.988	50,5	2.303	58,5	1.375	34,9
42 mm	F8622	FPA 42-125-90	1-1/4 NPT	.630	16,0	2.469	62,7	3.150	80,0		
42 mm	F8624	FPA 42-150-90	1-1/2 NPT	.669	17,0	2.469	62,7	3.228	82,0	1.984	50,4
67 mm	F8630	FPA 67-200-90	2 NPT	.728	18,5	3.543	90,0	3.740	95,0	2.469	62,7

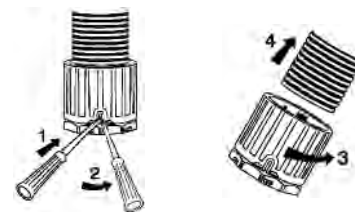
Standard color black. Consult Heyco for other colors.



Assembly instructions:



Removal instructions:



Quick Specs

Material	Nylon 6/6
Certifications	Recognized under Underwriters' Laboratories File E229161 Approved as per EN50086
Flammability Rating	94V-2 and Low Fire Hazard Including Low Smoke, Low Toxicity as well as Halogen, Sulphur, and Phosphorus Free
Temperature Rating	The temperature rating for all FPA fittings meets or exceeds that for all Heyco Nylon Corrugated Conduit/Tubing
IP Rating	IP 66 standard as per EN60529 IP 66, 67, & 68 available—consult factory and specify FPA fittings