

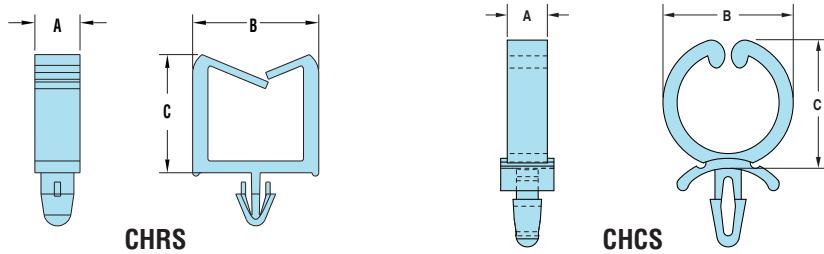


HEYClip™ Shorty Wire and Cable Holders

Low Profile - For Panels .04" (1,0 mm) to .06" (1,5 mm) Thick*

WIRE CAPACITY		PART NO.	DESCRIPTION	FOOTPRINT		OVERALL HEIGHT		MOUNTING HOLE DIA.	
in.	mm.			in.	mm.	in.	mm.	in.	mm.
.160 x .250	4,1 x 6,4	3660	CHRS-1	.17 x .36	4,3 x 9,1	.29	7,4	.12	3,1
		3661	CHRS-2	.17 x .36	4,3 x 9,1	.29	7,4	.14	3,6
.160 x .350	4,1 x 8,9	3662	CHRS-3	.17 x .48	4,3 x 12,0	.45	11,4	.14	3,6
.450 dia.	11,4 dia.	3663	CHCS-4	.18 x .57	4,5 x 14,5	.57	14,5	.12	3,1

Standard color natural.
* .35" (8,9 mm) bayonet length.

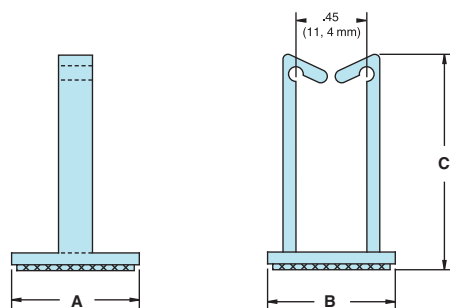


- Strong hinged arms flex both ways to insert, hold, and remove wires easily.
- Special circular cutout design allows easy hinged flexing action while maintaining adequate wire retaining strength.
- Push mount base is designed for quick and easy insertion or removal. Centering ears automatically position in hole and lock securely.

HEYClip™ Adhesive-Backed Wire Holders

WIRE CAPACITY		PART NO.	DESCRIPTION	FOOTPRINT		OVERALL HEIGHT	
in.	mm.			in.	mm.	in.	mm.
.450 x .187	11,4 x 4,7	3603	CH RA-12	.78 x .75	19,1 x 19,8	.48	12,2
.450 x .375	11,4 x 9,5	3608	CH RA-18	.78 x .75	19,1 x 19,8	.68	17,2
.450 x .750	11,4 x 19,0	3613	CH RA-27	.78 x .75	19,1 x 19,8	1.05	26,7

Standard color natural.



- Gather and direct single or bundles of cable.
- Apply to a clean dry surface.

Material	Nylon 6/6
Flammability Rating	94V-2
Material Temperature Index	257°F (125°C)–Maximum temperature on part not to exceed 221°F (105°C)

Quick Specs