



HEYClip™ MaxRunner® Cable Clip Array-Flush Mount

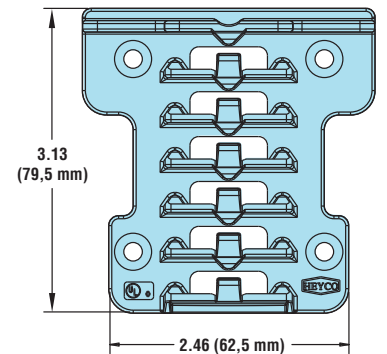
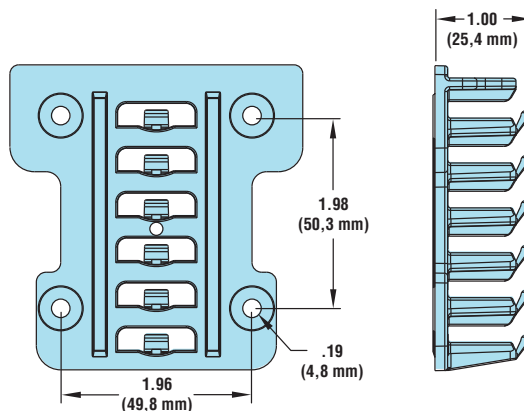
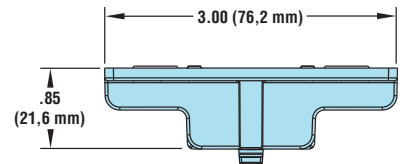
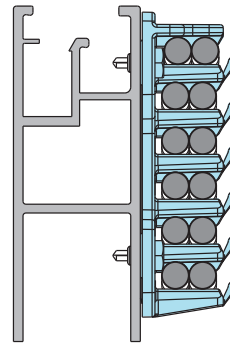
Accommodates up to 12 Cables, Flush Mount with Screws*

The Ultimate in Solar Wire Management

- Designed to mount on flat panels or extrusions without mounting ledges.
- Easily attaches to any flat surface with four mounting screws.
- Patent Pending design is the ultimate in solar wire management.
- **Holds up to 12 cables** with wire diameters ranging from .20" (5,2 mm) to .28" (7,2 mm).
- Constructed from PPE+PS flame retardant Noryl material.
- The injection molded wire holder has a V0 flame rating and a UV (f1) rating for excellent resistance to outdoor exposure.
- Molded internal locking tabs securely hold the cables in place preventing side-to-side movement or slippage of the cables.

PANEL THICKNESS CLAMPING RANGE				WIRE DIA. RANGE		PART NO.	DESCRIPTION	FOOTPRINT		OVERALL HEIGHT		
Minimum		Maximum		Maximum (12) Wires				in.	mm.	in.	mm.	
in.	mm.	in.	mm.	in.	mm.	S6433	MaxRunner 12 Flush Mount Clip	3.00	x 3.13	76,2 - 79,5	1.00	25,4
N/A: designed for flat mount												

*Screws not included



Materials
Certifications



PPE & PS Noryl
Certified by UL for Compliance with both Canadian and U.S. requirements under File E54523

Flammability Rating
Temperature Rating

94V-0
Maximum material rating 203°F (95°C)