



ALL NEW PRODUCTS!

NO O-RING REQUIRED!



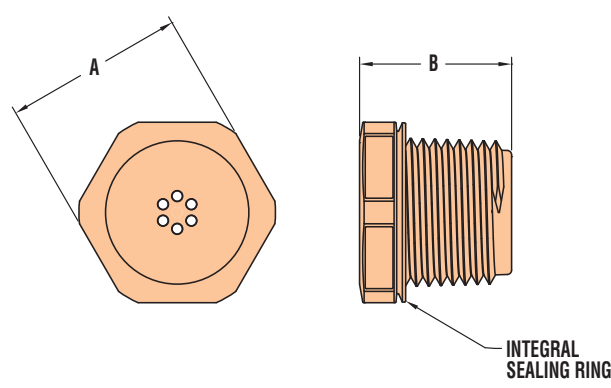
HEYClean™ Nylon Liquid Tight Threaded Vent Plugs

With Integral Sealing Ring and Liquid Tight Filter

- Integral sealing ring ensures a **superior seal** at mounting hole location, every time; **IP 65, IP 67 and IP 68 Rated.**
- Allow the passage of air for ventilation and heat dissipation, yet prevent moisture intrusion.
- Maximum airflow: ≥ 16.6 Lpm/3.7cm² @ 13.5 psi.
- **UL Rated for Type NEMA 3R, 4 and 4X applications** (pending).
- Filter membrane prevents moisture and particulate contamination in electronic enclosures.
- Pressure compensating seal **prevents buildup of pressure** inside of electronic enclosures due to environmental temperature cycling.
- Quick and easy installation into Threaded Holes.
- Membrane seal is ultrasonically welded to nylon body.
- Lower cost option over brass or steel plugs.
- Non-corrosive-resist salt water, weak acids, gasoline, alcohol, oil, grease and common solvents. Resist oil and heat up to 221°F (105°C).
- Approximate Head Thickness: .21" (5,3 mm). Thickness may vary.
- Hex shaped head for wrench installation.
- Electrically non-conductive Nylon 6/6.

THREAD Type/Size	PART NO.		DESCRIPTION	PART DIMENSIONS			
	Black	Gray		A Wrenching Flats in. mm.		B Overall Length in. mm.	
NPT							
NPT 1/4	3544VB	3544V	LTTVP NPT 1/4	.63	16,0	.66	16,8
NPT 3/8	3545VB	3545V	LTTVP NPT 3/8	.83	21,0	.69	17,5
NPT 1/2	3546VB	3546V	LTTVP NPT 1/2	.98	24,9	.81	20,6
NPT 3/4	3547VB*	3547V*	LTTVP NPT 3/4	1.29	32,8	.86	21,8
PG - For PG Thread specifications, see page 3-37 in Heyco's Catalog 113							
Pg 7	3574VB	3574V	LTTVP Pg 7	.63	16,0	.53	13,5
Pg 9	3575VB	3575V	LTTVP Pg 9	.83	21,0	.62	15,8
Pg 13.5	3576VB	3576V	LTTVP Pg 13.5	.98	24,9	.76	19,3
Pg 21	3401VB	3401V	LTTVP Pg 21	1.29	32,8		
Metric							
M12	3582VB	3582V	LTTVP M12	.63	16,0	.53	13,5
M16	3583VB	3583V	LTTVP M16	.83	21,0	.62	15,8
M20	3584VB	3584V	LTTVP M20	.98	24,9		

Standard color Black. Consult Heyco for other colors.
*IP 65 rated.



Quick Specs

Material	Nylon 6/6 bodies with an Acrylic Copolymer Filter
Certifications	Recognized under the Component Program of Underwriters' Laboratories, File E330194 to both Canadian and U.S. Requirements
Flammability Rating	94V-2
Temperature Rating	-40°F (-40°C) to 221°F (105°C)
IP Rating	IP 65/67/68