



ALL NEW PRODUCTS!

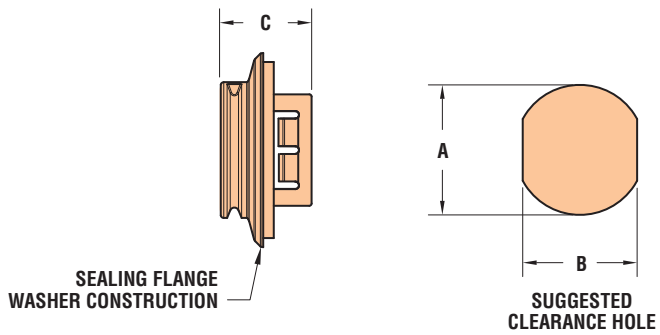


HEYClean™ Nylon Liquid Tight Snap-In Vent Plugs

With Integral Sealing Flange/Washer and Liquid Tight Filter
Mounting Hole Diameter Range: .500" (12,7 mm) to 1.125" (28,6 mm)

A Mounting Hole Dia.*		PART NO. Black	DESCRIPTION	PART DIMENSIONS			
in.	mm.			B To Prevent Rotation		C Max. O.A. Length	
.500	12,7	3481VB	LTSV 500	.450	11,4	.600	15,2
.75	22,2	3486VB	LTSV 875	.770	19,6	.620	15,7
1.125	28,6	3488VB	LTSV 1125	1.000	25,4	.660	16,8

Standard color black. Consult Heyco for other colors.
* Consult Heyco for additional sizes.



- Quick and easy **Snap-in** installation into Clearance Holes.
- Integral sealing ring ensures a **superior seal** at mounting hole location, every time; **IP65, IP67 and IP68 Rated**.
- Permit the passage of air for ventilation and heat dissipation, yet remains liquid tight.
- Maximum airflow: $\geq 16.6 \text{ Lpm}/3.7\text{cm}^2$ @ 13.5 psi.
- **UL Rated for Type NEMA 3R, 4, and 4X applications.**
- Suitable for indoor or outdoor use.
- Pressure compensating seal **prevents buildup of pressure** inside of electronic enclosures due to environmental temperature cycling.
- Filter membrane prevents moisture and particulate contamination in electronic enclosures.
- Filter membrane is ultrasonically welded to nylon body.
- All sizes and types feature (6) .094" (2,4 mm) diameter vent holes.
- **Snap-In** plugs for panel and housing applications.
- Lower cost option over brass or steel plugs.
- Snap into a range of panel thicknesses up to .125" (3,2 mm) with no tools.
- Rotation prevented when used in Double D mounting holes.
- Filter membrane material consists of a Hydrophobic/Oleophobic Acrylic Copolymer.
- Non-corrosive-resist salt water, weak acids, gasoline, alcohol, oil, grease and common solvents. Resist oil and heat up to 221°F (105°C).

Material	Nylon 6/6 bodies with an Acrylic Copolymer Filter
Certifications	Recognized under the Component Program of Underwriters' Laboratories, File E330194 to both Canadian and U.S. Requirements
Flammability Rating	94V-2
Temperature Rating	-40°F (-40°C) to 221°F (105°C)
IP Rating	IP 65/67/68

Quick Specs