

“Stay Connected with” HEYware

**HEYCO**



- **Releasable and reusable** ties for easy bundling, closing, bagging, holding, and tying.
- Polyethylene for high flexibility and moderate strength.
- Multiple sizes for bundles up to 4" (101,6 mm) diameter.



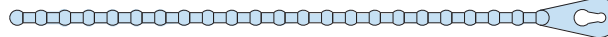
## Heyco® Beaded Ties

TENSILE STRENGTH		MAXIMUM BUNDLE DIAMETER		OVERALL LENGTH		DESCRIPTION	PART NO.				
lbs.	N	in.	mm.	in.	mm.		Black	Natural	Blue	Red	Yellow
<b>Polyethylene – For Flexibility</b>											
10	45	1-1/8	28,6	4.28	109	BT 4 PE	3419	3420	3421	3422	3423
		1-3/8	35,0	5.05	128	BT 5 PE	3424	3425	3426	3427	3428
18	80	1-7/8	48,0	6.62	168	BT 6 PE	3429	3430	3431	3432	3433
		2-1/2	64,0	8.90	226	BT 8 PE	3434	3435	3436	3437	3438
		3	76,0	10.78	274	BT 10 PE	3439	3440	3441	3442	3443
		4	101,6	14.00	356	BT 14 PE	3484	3480	3476	3482	3483
<b>Nylon – For Strength</b>											
40	180	1-1/8	28,6	4.25	108	BT 4 N	3509	3490			
		1-3/8	35,0	5.00	127	BT 5 N	3519	3491			
		1-7/8	48,0	6.75	171	BT 6 N	3523	3492			
75	338	2-1/2	64,0	9.00	229	BT 8 N	3524	3493			
		3	76,0	11.00	279	BT 10 N	3495	3494			
		4	101,6	15.00	381	BT 14 N	3498	3496			
<b>Nylon Push Mount*</b>											
40	180	1-3/8	35,0	5.08	129	PBT 5 N	3499B	3499	<b>NEW!</b>		

Standard colors: PE-black, natural, blue, red, and yellow. N-Black and natural.

\*Mounts into a .250" (6,4 mm) diameter hole, maximum panel thickness .142" (3,6 mm).

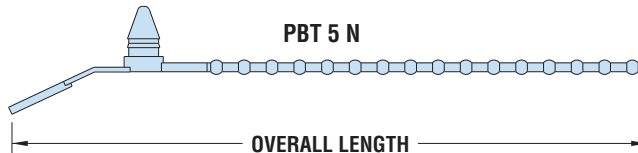
TOP VIEW



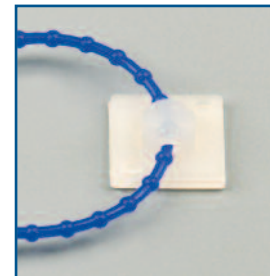
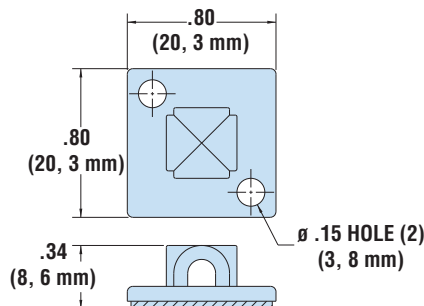
SIDE VIEW



PBT 5 N



OVERALL LENGTH



### • Mounting Platform for Beaded Ties

- Part No. 3750
- Adhesive backed
- May also be screw mounted
- Molded of natural nylon. Consult Heyco for other colors

Quick Specs

Material	Polyethylene or Nylon
Flammability Rating	94V-2
Temperature Range	40°F (0°C) to 221°F (85°C)