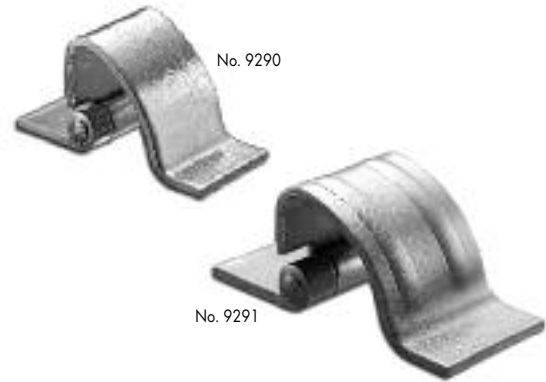




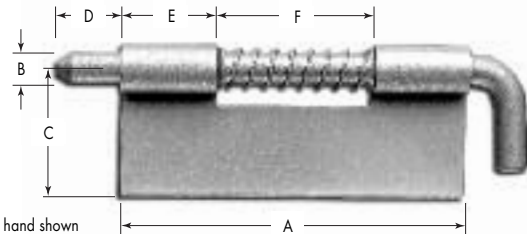
A smooth, unbroken cabinet surface is now possible with Guden concealed hinges. The radius of the movable leaf swings the door out and clear of the cabinet frame. Two standard sizes are ready for welded assembly, or can be custom drilled for screw or bolt assembly. Custom sizes are also available.

**CONCEALED HINGES**

| Part No. | Length | Thickness | Holes | Rib | Leaf Material | Pin Material |
|----------|--------|-----------|-------|-----|---------------|--------------|
| NHAL9290 | .80    | .075      | No    | No  | Aluminum      | Stainless    |
| NHAL9291 | 1.25   | .090      | No    | Yes | Aluminum      | Stainless    |
| NHPS9290 | .80    | .075      | No    | No  | Steel         | Steel        |
| NHPS9291 | 1.25   | .090      | No    | Yes | Steel         | Steel        |
| NHSS9290 | .80    | .075      | No    | No  | Stainless     | Stainless    |
| NHSS9291 | 1.25   | .090      | No    | Yes | Stainless     | Stainless    |



Dual-purpose latch hinges make excellent lid or door latches, or easily removable hinges. The spring-loaded, chamfered pin holds securely, whether used as a latch or a hinge. They are the answer to door removal. "H" prefix parts are supplied with holes.



Latch Hinge - Left hand shown

**LATCH HINGES**

| Part No.     | Material  | Finish | Thickness | Holes | A    | B    | C    | D    | E    | F    |
|--------------|-----------|--------|-----------|-------|------|------|------|------|------|------|
| 9292LH-02    | Steel     | Zinc   | .040      | No    | .875 | .125 | .500 | .187 | .250 | .375 |
| 9292RH-02    | Steel     | Zinc   | .040      | No    | .875 | .125 | .500 | .187 | .250 | .375 |
| 9292LH-32    | Stainless | None   | .040      | No    | .875 | .125 | .500 | .187 | .250 | .375 |
| 9292RH-32    | Stainless | None   | .040      | No    | .875 | .125 | .500 | .187 | .250 | .375 |
| 9293LH-02    | Steel     | Zinc   | .040      | No    | 1.38 | .156 | .750 | .250 | .375 | .625 |
| 9293RH-02    | Steel     | Zinc   | .040      | No    | 1.38 | .156 | .750 | .250 | .375 | .625 |
| 9293LH-32    | Stainless | None   | .040      | No    | 1.38 | .156 | .750 | .250 | .375 | .625 |
| 9293RH-32    | Stainless | None   | .040      | No    | 1.38 | .156 | .750 | .250 | .375 | .625 |
| 9294LH-02    | Steel     | Zinc   | .050      | No    | 2.00 | .187 | .875 | .375 | .500 | 1.00 |
| 9294RH-02    | Steel     | Zinc   | .050      | No    | 2.00 | .187 | .875 | .375 | .500 | 1.00 |
| H9294LH-02 * | Steel     | Zinc   | .050      | Yes   | 2.00 | .187 | .875 | .375 | .500 | 1.00 |
| H9294RH-02 * | Steel     | Zinc   | .050      | Yes   | 2.00 | .187 | .875 | .375 | .500 | 1.00 |
| 9294LH-32    | Stainless | None   | .050      | No    | 2.00 | .187 | .875 | .375 | .500 | 1.00 |
| 9294RH-32    | Stainless | None   | .050      | No    | 2.00 | .187 | .875 | .375 | .500 | 1.00 |
| H9294LH-32 * | Stainless | None   | .050      | Yes   | 2.00 | .187 | .875 | .375 | .500 | 1.00 |
| H9294RH-32 * | Stainless | None   | .050      | Yes   | 2.00 | .187 | .875 | .375 | .500 | 1.00 |
| 9295LH-02    | Steel     | Zinc   | .062      | No    | 2.75 | .250 | 1.00 | .500 | .750 | 1.25 |
| 9295RH-02    | Steel     | Zinc   | .062      | No    | 2.75 | .250 | 1.00 | .500 | .750 | 1.25 |
| H9295LH-02 * | Steel     | Zinc   | .062      | Yes   | 2.75 | .250 | 1.00 | .500 | .750 | 1.25 |
| H9295RH-02 * | Steel     | Zinc   | .062      | Yes   | 2.75 | .250 | 1.00 | .500 | .750 | 1.25 |
| 9295LH-32    | Stainless | None   | .062      | No    | 2.75 | .250 | 1.00 | .500 | .750 | 1.25 |
| 9295RH-32    | Stainless | None   | .062      | No    | 2.75 | .250 | 1.00 | .500 | .750 | 1.25 |
| H9295LH-32 * | Stainless | None   | .062      | Yes   | 2.75 | .250 | 1.00 | .500 | .750 | 1.25 |
| H9295RH-32 * | Stainless | None   | .062      | Yes   | 2.75 | .250 | 1.00 | .500 | .750 | 1.25 |

\* Supplied from stock with 3 pre-punched .128 diameter holes.

