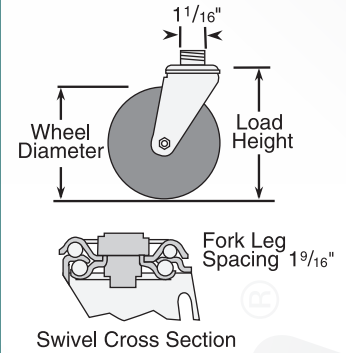


# 2 Series

Capacity up to **325 lbs each**



## Standard Dimensions



## Features

- Zinc plated finish is attractive and durable
- Full double ball hardened raceways for better performance and greater durability
- 3/8" hollow axle with lock nut
- Grease holes on wheel bearing for greater convenience
- "Colson 45" multi-temp grease lubricates in extreme hot and cold temperatures

## Standard Mounting

- Fits Standard 3/4" Pipe Coupling
- **Stem Size:** approximately 1 1/16" diameter
- The pipe thread stem screws directly into a standard pipe coupling for a rigid and permanent fit with full swivel action

## Easy Installation

- The 7/16" hex nut beneath the lower raceway makes it fast and easy to install these casters on a wide variety of equipment

## Caster Brake



**Top Lock**  
(See page 96) Available on all models with solid axle only. Field installable (Specify **BRK1**).



**Total Lock**  
(See page 96) Locks wheel and swivel simultaneously. Fits 3 1/2", 4" and 5" models. Field installable (Specify **BRK5**).

## Fork Option

**NSF Listed For Food Service Industry**  
All models except thread guards and cast iron wheels (Specify **FSI**).

**Swivel Dust Cap**  
(See page 101) Specify **DC1**.

**Forks Only**  
To order caster forks only use 1st 6 digits of model numbers (Example: 2.02253).

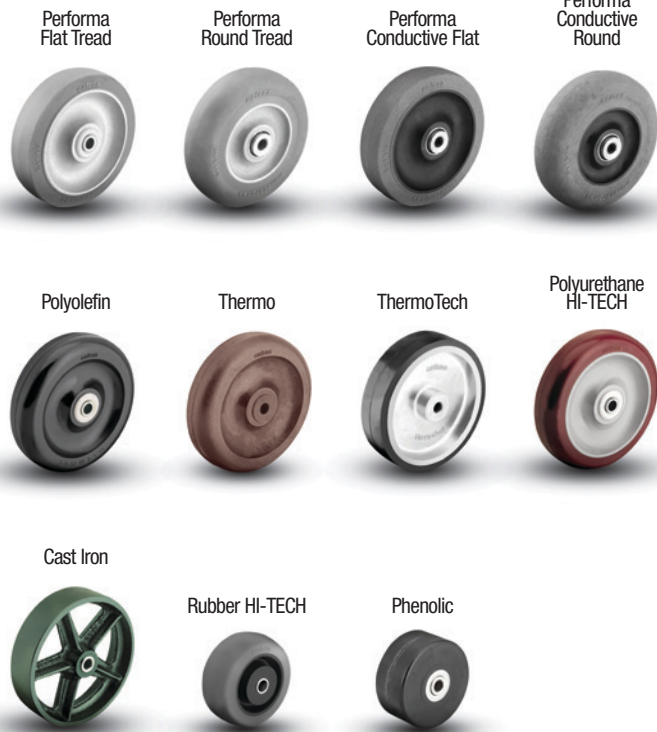
### Axle/Nut Options

**AX1** Zerk Axle (not available with top lock brake)

**AX2** Solid Axle

**NT1** Thick Lock Nut

## Wheel Selection



## Wheel Option

**Thread Guards**  
(See page 108) Available on many models (Specify **TG1** for metal or **TG2** for plastic).



1-800-453-1692

[www.aboveboardelectronics.com](http://www.aboveboardelectronics.com)

**Colson 2 Series Casters • Pipe Thread Stem • Capacity to 325 lbs**

Wheel Dia.	Tread Width	Capacity Each (Pounds)	Wheel Descriptions	Wheel Bearing	Stem Caster Models	Load Height	Swivel Radius	Weight (Pounds)	
2 1/2"	1 1/4"	125	Performa Rubber (Conductive/Flat)	Ball	2.02253.445 COND	4"	2 13/32"	1 3/4	
		140	Performa Rubber (Flat)	Delrin	2.02253.441	4"	2 13/32"	1 3/4	
			Performa Rubber (Flat)	Ball	2.02253.445	4"	2 13/32"	1 3/4	
		200	Polyolefin	Delrin	2.02253.53	4"	2 13/32"	1 3/4	
			Polyolefin	Ball	2.02253.55	4"	2 13/32"	1 3/4	
		250	Polyurethane HI-TECH	Delrin	2.02253.91	4"	2 13/32"	1 1/2	
	Polyurethane HI-TECH		Ball	2.02253.95	4"	2 13/32"	1 1/2		
300	Cast Iron	Sleeve	2.02253.12	4"	2 13/32"	2 1/8			
1 7/16"	300	Phenolic	Roller	2.02253.319	4"	2 13/32"	1 3/4		
3"	1 1/4"	150	Rubber HI-TECH	Plain	2.03353.42	4 1/4"	2 21/32"	2	
		200	Polyurethane HI-TECH	Plain	2.03353.92	4 1/4"	2 21/32"	2	
			Polyolefin	Delrin	2.03353.52	4 1/4"	2 21/32"	2	
	1 15/32"	300	Phenolic	Roller	2.03353.309	4 1/4"	2 21/32"	2 3/4	
3 1/2"	1 5/16"	210	Performa Rubber (Conductive/Round)	Ball	2.03253.565 COND	4 13/16"	2 29/32"	2 1/4	
			Performa Rubber (Round)	Delrin	2.03253.561	4 13/16"	2 29/32"	2 1/4	
			Performa Rubber (Round)	Ball	2.03253.565	4 13/16"	2 29/32"	2 1/4	
	1 1/4"	225	230	Performa Rubber (Conductive/Flat)	Ball	2.03253.445 COND	4 13/16"	2 29/32"	2 1/4
				Polyolefin	Delrin	2.03253.53	4 13/16"	2 29/32"	2 1/8
		250	Polyolefin	Ball	2.03253.55	4 13/16"	2 29/32"	2 1/8	
			Performa Rubber (Flat)	Delrin	2.03253.441	4 13/16"	2 29/32"	2 1/8	
		300	Performa Rubber (Flat)	Ball	2.03253.445	4 13/16"	2 29/32"	2 1/8	
			Polyurethane HI-TECH	Delrin	2.03253.91	4 13/16"	2 29/32"	1 3/4	
		Polyurethane HI-TECH	Ball	2.03253.95	4 13/16"	2 29/32"	1 3/4		
		Thermo	Plain	2.03253.52 HT	4 13/16"	2 29/32"	3 1/8		
		Cast Iron	Sleeve	2.03253.12	4 13/16"	2 29/32"	3		
		4"	1 1/4"	250	ThermoTech®	Teflon	2.04253.613 H	5 1/4"	3 7/32"
Performa Rubber (Conductive/Flat)	Ball				2.04253.445 COND	5 1/4"	3 7/32"	2 1/4	
275	Polyolefin			Delrin	2.04253.53	5 1/4"	3 7/32"	2 1/4	
	Polyolefin			Ball	2.04253.55	5 1/4"	3 7/32"	2 1/4	
	Polyurethane HI-TECH			Delrin	2.04253.91	5 1/4"	3 7/32"	2	
	Polyurethane HI-TECH			Ball	2.04253.95	5 1/4"	3 7/32"	2	
300	Performa Rubber (Flat)		Delrin	2.04253.441	5 1/4"	3 7/32"	2 1/4		
	Performa Rubber (Flat)		Ball	2.04253.445	5 1/4"	3 7/32"	2 1/4		
	Thermo		Plain	2.04253.52 HT	5 1/4"	3 7/32"	3 1/4		
Cast Iron	Sleeve		2.04253.12	5 1/4"	3 7/32"	3 1/2			
5"	1 1/4"		250	ThermoTech®	Teflon	2.05253.613 H	6 5/16"	3 13/16"	3
		Performa Rubber (Conductive/Flat)		Ball	2.05253.445 COND	6 5/16"	3 13/16"	3	
		Performa Rubber (Conductive/Round)		Ball	2.05253.565 COND	6 5/16"	3 13/16"	3	
	1 5/16"	250	Performa Rubber (Round)	Delrin	2.05253.561	6 5/16"	3 13/16"	3	
			Performa Rubber (Round)	Ball	2.05253.565	6 5/16"	3 13/16"	3	
	1 1/4"	300	Polyolefin	Delrin	2.05253.53	6 5/16"	3 13/16"	2 3/4	
			Polyolefin	Ball	2.05253.55	6 5/16"	3 13/16"	2 3/4	
			Polyurethane HI-TECH	Delrin	2.05253.91	6 5/16"	3 13/16"	2 1/2	
			Polyurethane HI-TECH	Ball	2.05253.95	6 5/16"	3 13/16"	2 1/2	
			Cast Iron	Sleeve	2.05253.12	6 5/16"	3 13/16"	3 3/4	
			Performa Rubber (Flat)	Delrin	2.05253.441	6 5/16"	3 13/16"	2 3/4	
		325	Performa Rubber (Flat)	Ball	2.05253.445	6 5/16"	3 13/16"	2 3/4	
			Thermo	Plain	2.05253.52 HT	6 5/16"	3 13/16"	3 3/4	



Request Info  
1-800-453-1692  
[www.aboveboardelectronics.com](http://www.aboveboardelectronics.com)

2 Series