

# Hucktainer®

Two-piece specialty fastener for fiberglass reinforced plywood panels.

The Hucktainer® specialty fastener installs with a consistent pressure, reducing the potential for crushing or crazing FRP panels and metal-clad applications. Each features a heavy zinc plating that resists corrosion, and an integral seal that helps keep the elements and other contaminants from invading the joint. Unlike threaded fasteners, Hucktainer is never over-torqued or under-torqued. Consistent clamp and fast, foolproof installation is what you'll get every time with Hucktainer.

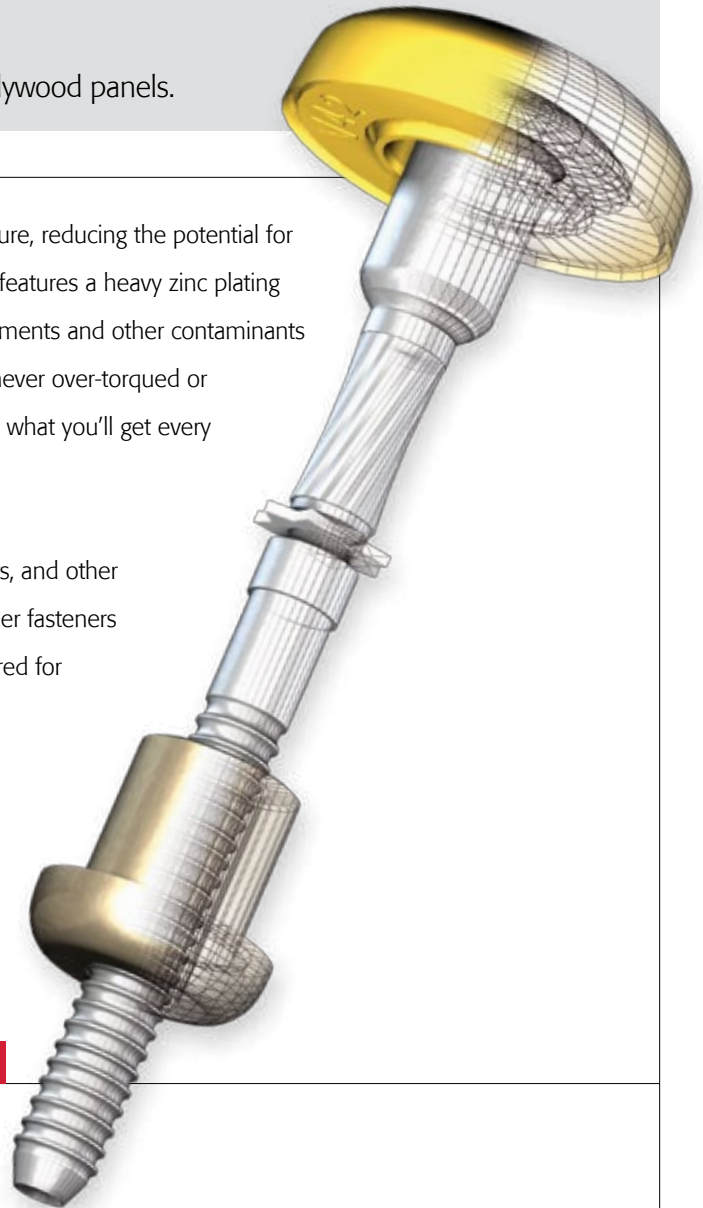
Designed specifically for truck trailers, truck bodies, cargo containers, and other structures fabricated from fiberglass reinforced plywood, Hucktainer fasteners provide the consistent clamp and fast, foolproof installation required for maximum product quality and productivity.

**Available Sizes:**

3/8"

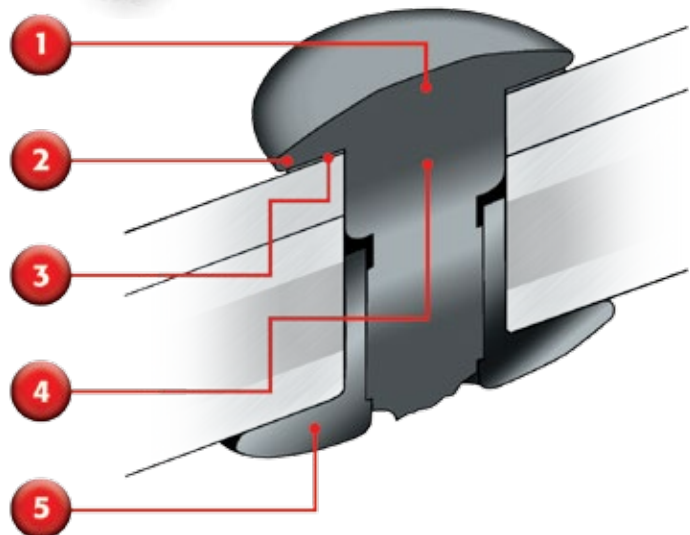
**Materials:**

Steel

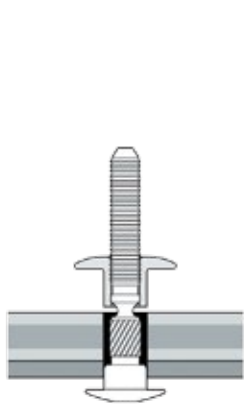


## Weather-Resistant Seal

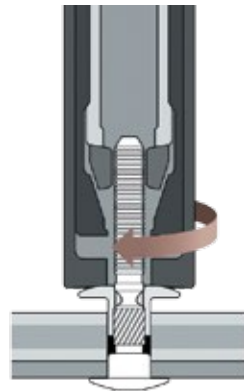
1. Lower profile head design saves cargo space.
2. Heads may be plastic-encapsulated for maximum corrosion-resistance; UV-resistant head capsules are colorfast and won't fade.
3. Integral weather-resistant seal provides protection from the elements.
4. Heavy-zinc plating protects against corrosion and preserves good looks.
5. One sleeve fits all pins; no need to mix and match.



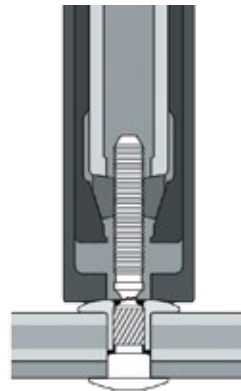
## Installation Sequence



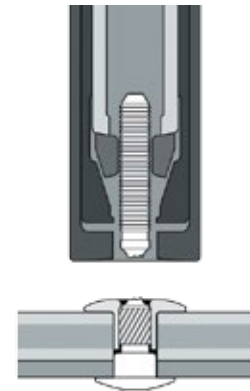
The pin and sleeve are inserted into the prepared hole.



The installation tool is applied to the pintail. When the tool is activated, the sleeve is forced onto the spiral lock of the pin. The rotating action of the nose assembly allows the sleeve to turn freely.

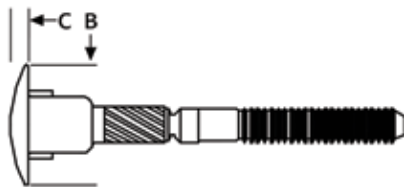


The sleeve is fully engaged on the pin and locks onto the pin's splines to clamp the material tightly together.

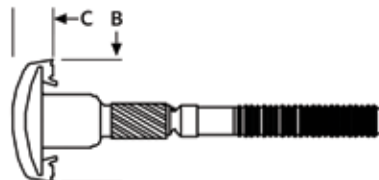


Continued pull of the tool causes the pintail to break away, which completes the installation cycle.

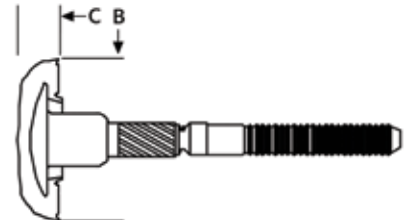
## Hucktainer Data & Dimensions



Standard



Medium-Bearing Encapsulated



Wide-Bearing Encapsulated

## Steel Pin - Zinc Plated

Diameter	Part No.	Grip Range	Max Hole Size	[B] Head Dia (max)	[C] Head Height (max)	Typical Clamp (lbf)	Typical Tensile (lbs)		
							Min Grip	Mid Grip	Max Grip
<b>Standard Head</b>									
3/8"	HLPP-R12-10PL	.562-.687	.421	.830	.160	700	800	1200	1800
	HLPP-R12-11PL	.625-.750	.421	.830	.160	700	800	1200	1800
	HLPP-R12-12PL	.687-.812	.421	.830	.160	700	800	1200	1800
	HLPP-R12-13PL	.750-.875	.421	.830	.160	700	800	1200	1800
	HLPP-R12-14PL	.812-.937	.421	.830	.160	700	800	1200	1800
	HLPP-R12-15PL	.875-1.000	.421	.830	.160	700	800	1200	1800
	HLPP-R12-16PL	.937-1.062	.421	.830	.160	700	800	1200	1800
	HLPP-R12-17PL	1.000-1.125	.421	.830	.160	700	800	1200	1800
	HLPP-R12-18PL	1.062-1.187	.421	.830	.160	700	800	1200	1800
	HLPP-R12-19PL	1.125-1.250	.421	.830	.160	700	800	1200	1800
HLPP-R12-20PL	1.187-1.312	.421	.830	.160	700	800	1200	1800	

NOTE: Part number listings reflect typical stock. Items not listed require a minimum order.

## Steel Pin - Zinc Plated

Diameter	Part No.	Grip Range	Max Hole Size	[B] Head Dia (max)	[C] Head Height (max)	Typical Clamp (mid grip)	Typical Tensile (lbs)		
							Min Grip	Mid Grip	Max Grip
<b>Medium Bearing Encapsulated Head - Gray</b>									
3/8"	HLPMG-R12-9PL	.500-.625	.421	.950	.300	700	800	1200	1800
	HLPMG-R12-10PL	.562-.687	.421	.950	.300	700	800	1200	1800
	HLPMG-R12-11PL	.625-.750	.421	.950	.300	700	800	1200	1800
	HLPMG-R12-12PL	.687-.812	.421	.950	.300	700	800	1200	1800
	HLPMG-R12-13PL	.750-.875	.421	.950	.300	700	800	1200	1800
	HLPMG-R12-14PL	.812-.937	.421	.950	.300	700	800	1200	1800
	HLPMG-R12-15PL	.875-1.000	.421	.950	.300	700	800	1200	1800
	HLPMG-R12-16PL	.937-1.062	.421	.950	.300	700	800	1200	1800
	HLPMG-R12-17PL	1.000-1.125	.421	.950	.300	700	800	1200	1800
	HLPMG-R12-18PL	1.062-1.187	.421	.950	.300	700	800	1200	1800
HLPMG-R12-19PL	1.125-1.250	.421	.950	.300	700	700	800	1200	1800
<b>Medium Bearing Encapsulated Head - White</b>									
3/8"	HLPMW-R12-9PL	.500-.625	.421	.950	.300	700	800	1200	1800
	HLPMW-R12-10PL	.562-.687	.421	.950	.300	700	800	1200	1800
	HLPMW-R12-11PL	.625-.750	.421	.950	.300	700	800	1200	1800
	HLPMW-R12-12PL	.687-.812	.421	.950	.300	700	800	1200	1800
	HLPMW-R12-13PL	.750-.875	.421	.950	.300	700	800	1200	1800
	HLPMW-R12-14PL	.812-.937	.421	.950	.300	700	800	1200	1800
	HLPMW-R12-15PL	.875-1.000	.421	.950	.300	700	800	1200	1800
	HLPMW-R12-16PL	.937-1.062	.421	.950	.300	700	800	1200	1800
	HLPMW-R12-17PL	1.000-1.125	.421	.950	.300	700	800	1200	1800
	HLPMW-R12-18PL	1.062-1.187	.421	.950	.300	700	800	1200	1800
<b>Medium Bearing Encapsulated Head - Hertz Yellow</b>									
3/8"	HLPMHY-R12-9PL	.500-.625	.421	.950	.300	700	800	1200	1800
	HLPMHY-R12-10PL	.562-.687	.421	.950	.300	700	800	1200	1800
	HLPMHY-R12-11PL	.625-.750	.421	.950	.300	700	800	1200	1800
	HLPMHY-R12-12PL	.687-.812	.421	.950	.300	700	800	1200	1800
	HLPMHY-R12-13PL	.750-.875	.421	.950	.300	700	800	1200	1800
	HLPMHY-R12-14PL	.812-.937	.421	.950	.300	700	800	1200	1800
	HLPMHY-R12-15PL	.875-1.000	.421	.950	.300	700	800	1200	1800
	HLPMHY-R12-16PL	.937-1.062	.421	.950	.300	700	800	1200	1800
	HLPMHY-R12-17PL	1.000-1.125	.421	.950	.300	700	800	1200	1800
	HLPMHY-R12-18PL	1.062-1.187	.421	.950	.300	700	800	1200	1800
HLPMHY-R12-19PL	1.125-1.250	.421	.950	.300	700	700	800	1200	1800
<b>Medium Bearing Encapsulated Head - Ryder Yellow</b>									
3/8"	HLPMPY-R12-9PL	.500-.625	.421	.950	.300	700	800	1200	1800
	HLPMPY-R12-10PL	.562-.687	.421	.950	.300	700	800	1200	1800
	HLPMPY-R12-11PL	.625-.750	.421	.950	.300	700	800	1200	1800
	HLPMPY-R12-12PL	.687-.812	.421	.950	.300	700	800	1200	1800
	HLPMPY-R12-13PL	.750-.875	.421	.950	.300	700	800	1200	1800
	HLPMPY-R12-14PL	.812-.937	.421	.950	.300	700	800	1200	1800
	HLPMPY-R12-15PL	.875-1.000	.421	.950	.300	700	800	1200	1800
	HLPMPY-R12-16PL	.937-1.062	.421	.950	.300	700	800	1200	1800
	HLPMPY-R12-17PL	1.000-1.125	.421	.950	.300	700	800	1200	1800
	HLPMPY-R12-18PL	1.062-1.187	.421	.950	.300	700	800	1200	1800
HLPMPY-R12-19PL	1.125-1.250	.421	.950	.300	700	700	800	1200	1800
<b>Wide Bearing Encapsulated Head - Gray</b>									
3/8"	HLPEG-R12-9PL	.500-.625	.421	1.210	.325	700	800	1200	1800
	HLPEG-R12-10PL	.562-.687	.421	1.210	.325	700	800	1200	1800
	HLPEG-R12-11PL	.625-.750	.421	1.210	.325	700	800	1200	1800
	HLPEG-R12-12PL	.687-.812	.421	1.210	.325	700	800	1200	1800
	HLPEG-R12-13PL	.750-.875	.421	1.210	.325	700	800	1200	1800
	HLPEG-R12-14PL	.812-.937	.421	1.210	.325	700	800	1200	1800
	HLPEG-R12-15PL	.875-1.000	.421	1.210	.325	700	800	1200	1800

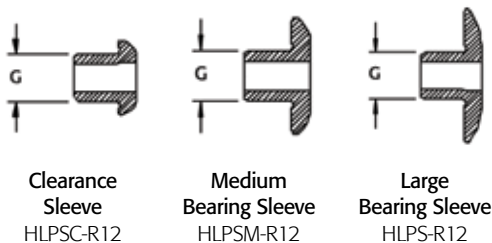
NOTE: Part number listings reflect typical stock. Items not listed require a minimum order.

## Steel Pin - Zinc Plated

Diameter	Part No.	Grip Range	Max Hole Size	[B] Head Dia (max)	[C] Head Height (max)	Typical Clamp (lbf)	Typical Tensile (lbs)			
							Min Grip	Mid Grip	Max Grip	
<b>Wide Bearing Encapsulated Head - Gray</b>										
3/8"	HLPEG-R12-16PL	.937-1.062	.421	1.210	.325	700	800	1200	1800	
	HLPEG-R12-17PL	1.000-1.125	.421	1.210	.325	700	800	1200	1800	
	HLPEG-R12-18PL	1.062-1.187	.421	1.210	.325	700	800	1200	1800	
	HLPEG-R12-19PL	1.125-1.250	.421	1.210	.325	700	800	1200	1800	
<b>Wide Bearing Encapsulated Head - White</b>										
3/8"	HLPEW-R12-9PL	.500-.625	.421	1.210	.325	700	800	1200	1800	
	HLPEW-R12-10PL	.562-.687	.421	1.210	.325	700	800	1200	1800	
	HLPEW-R12-11PL	.625-.750	.421	1.210	.325	700	800	1200	1800	
	HLPEW-R12-12PL	.687-.812	.421	1.210	.325	700	800	1200	1800	
	HLPEW-R12-13PL	.750-.875	.421	1.210	.325	700	800	1200	1800	
	HLPEW-R12-14PL	.812-.937	.421	1.210	.325	700	800	1200	1800	
	HLPEW-R12-15PL	.875-1.000	.421	1.210	.325	700	800	1200	1800	
	HLPEW-R12-16PL	.937-1.062	.421	1.210	.325	700	800	1200	1800	
	HLPEW-R12-17PL	1.000-1.125	.421	1.210	.325	700	800	1200	1800	
3/8"	HLPEW-R12-18PL	1.062-1.187	.421	1.210	.325	700	800	1200	1800	
	HLPEW-R12-19PL	1.125-1.250	.421	1.210	.325	700	800	1200	1800	
	<b>Wide Bearing Encapsulated Head - Hertz Yellow</b>									
	3/8"	HLPEHY-R12-9PL	.500-.625	.421	1.210	.325	700	800	1200	1800
		HLPEHY-R12-10PL	.562-.687	.421	1.210	.325	700	800	1200	1800
		HLPEHY-R12-11PL	.625-.750	.421	1.210	.325	700	800	1200	1800
		HLPEHY-R12-12PL	.687-.812	.421	1.210	.325	700	800	1200	1800
		HLPEHY-R12-13PL	.750-.875	.421	1.210	.325	700	800	1200	1800
		HLPEHY-R12-14PL	.812-.937	.421	1.210	.325	700	800	1200	1800
HLPEHY-R12-15PL		.875-1.000	.421	1.210	.325	700	800	1200	1800	
HLPEHY-R12-16PL		.937-1.062	.421	1.210	.325	700	800	1200	1800	
HLPEHY-R12-17PL		1.000-1.125	.421	1.210	.325	700	800	1200	1800	
3/8"	HLPEHY-R12-18PL	1.062-1.187	.421	1.210	.325	700	800	1200	1800	
	HLPEHY-R12-19PL	1.125-1.250	.421	1.210	.325	700	800	1200	1800	
	<b>Wide Bearing Encapsulated Head - Ryder Yellow</b>									
	3/8"	HLPERY-R12-9PL	.500-.625	.421	1.210	.325	700	800	1200	1800
		HLPERY-R12-10PL	.562-.687	.421	1.210	.325	700	800	1200	1800
		HLPERY-R12-11PL	.625-.750	.421	1.210	.325	700	800	1200	1800
		HLPERY-R12-12PL	.687-.812	.421	1.210	.325	700	800	1200	1800
		HLPERY-R12-13PL	.750-.875	.421	1.210	.325	700	800	1200	1800
		HLPERY-R12-14PL	.812-.937	.421	1.210	.325	700	800	1200	1800
HLPERY-R12-15PL		.875-1.000	.421	1.210	.325	700	800	1200	1800	
HLPERY-R12-16PL		.937-1.062	.421	1.210	.325	700	800	1200	1800	
HLPERY-R12-17PL		1.000-1.125	.421	1.210	.325	700	800	1200	1800	
3/8"	HLPERY-R12-18PL	1.062-1.187	.421	1.210	.325	700	800	1200	1800	
	HLPERY-R12-19PL	1.125-1.250	.421	1.210	.325	700	800	1200	1800	

Minimum orders may apply

## Hucktainer Sleeves - Zinc Plated



## Installation Tooling

Diameter	Installation Tool	Nose Assembly	Type
3/8"	2025	99-3464	Pneudraulic
	256	99-3438	Pneudraulic
	2480	99-3464	Hydraulic
	2580	99-3438	Hydraulic

NOTE: Part number listings reflect typical stock. Items not listed require a minimum order.