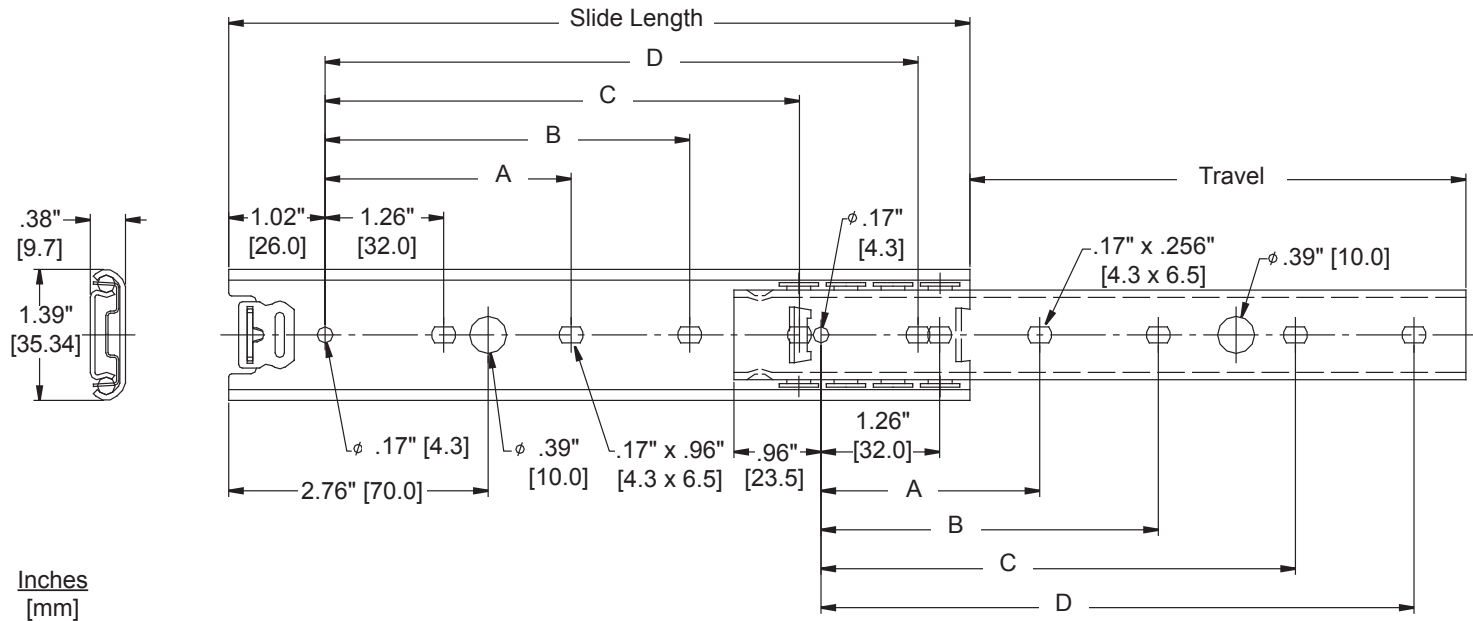




MODEL SS2028

APPLICATIONS: Ideal for environments subject to corrosion.

Stainless Steel
 3/4 Extension
 Hold-in detent
 Up to 100 lb. [45 kg.] Load Rating*
 3/8" [9.5 mm] Slide Thickness



- Finish:** Stainless steel (RoHS compliant)
- Lengths:** Lengths: 12"–28" [300 mm–700 mm]**
- Travel:** 3/4 extension
- Height:** 1.39" [35.34 mm]
- Load Rating:** Up to 100 lbs. [45 kg]*
- Side Space:** .38 + .03/-0.00 [9.5 mm + .76/-0.00]
- Mounting:** Side or hard mount
- Hardware:** #8 pan head screw (Not included)
- Features:** Hold-in detent

SS2028	Slide Length	Travel	A	B	C	D
SS2028-12	11.81 [300]	8.23 [209]	3.78 [96]	5.04 [128]	8.82 [224]	10.08 [256]
SS2028-14	13.78 [350]	9.64 [245]	3.78 [96]	5.04 [128]	10.08 [256]	11.34 [288]
SS2028-16	15.75 [400]	11.10 [282]	6.30 [160]	7.56 [192]	12.60 [320]	13.86 [352]
SS2028-18	17.72 [450]	12.60 [320]	6.30 [160]	7.56 [192]	15.12 [384]	16.38 [416]
SS2028-20	19.69 [500]	14.06 [357]	7.56 [192]	8.82 [224]	16.38 [416]	17.64 [448]
SS2028-22	21.65 [550]	15.51 [394]	7.56 [192]	8.82 [224]	18.90 [480]	20.16 [512]
SS2028-24	23.62 [600]	17.00 [432]	8.82 [224]	10.08 [256]	20.16 [512]	21.42 [544]
SS2028-26	25.59 [650]	18.46 [469]	8.82 [224]	10.08 [256]	22.68 [576]	23.94 [608]
SS2028-28	27.56 [700]	19.92 [506]	10.08 [256]	11.34 [288]	23.94 [608]	25.20 [640]

* Load rating based on 18" slides in an 18" wide drawer cycled 80,000 times. For maximum load rating, use all mounting holes.

** Note: The lengths indicated in inches are approximate conversions from the metric measurements; please see the chart above for exact dimensions.



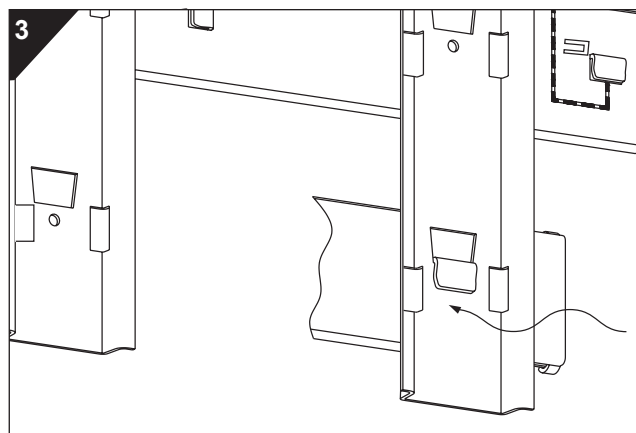
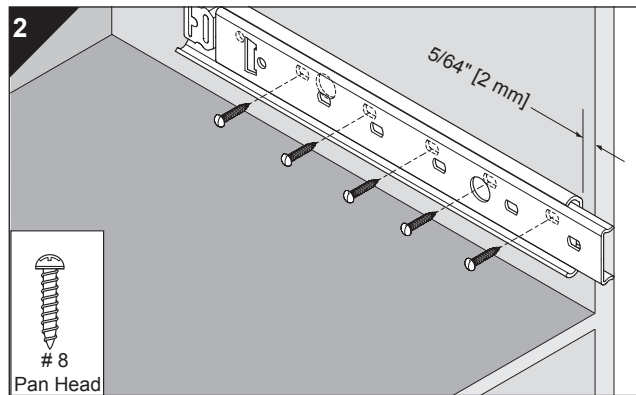
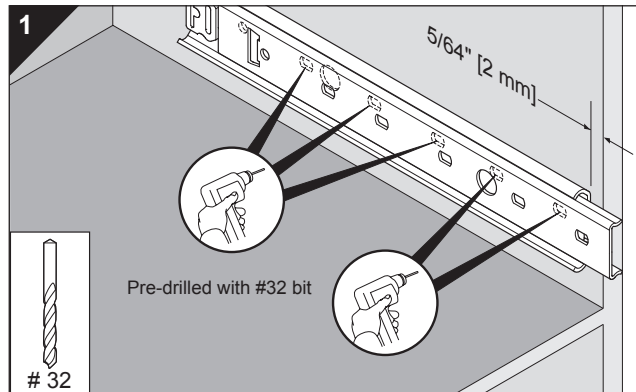
1-800-453-1692

www.aboveboardelectronics.com

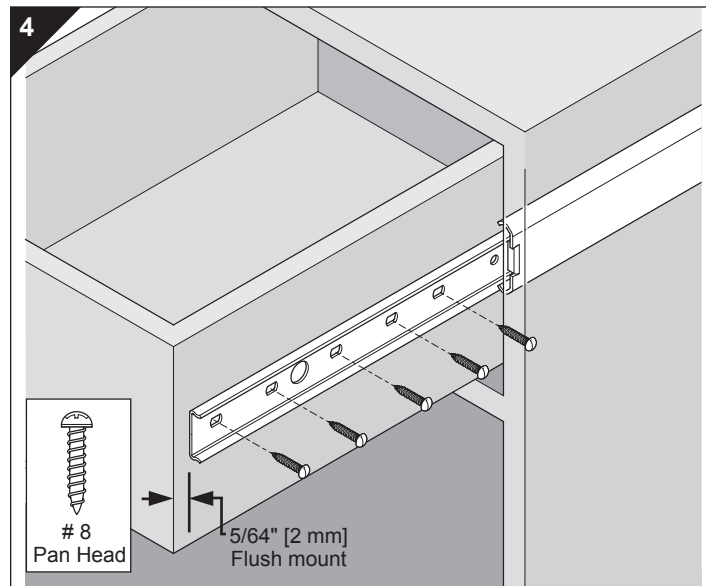
Installation Instructions

Note: It is recommended that all mounting holes are pre-drilled (Figures 1 and 3). To ensure proper slide operation, make certain that all mounting screws are secure so the screw heads are fully seated inside the slide (do not use washers). Use #8 pan head screws (not included).

1. Use access holes provided for mounting slide members. Set back outer member (largest) 5/64" [2 mm] (Figure 1).
2. Install outer member into the cabinet or rack using #8 pan head screws (not included) (Figure 2). Be sure slides are parallel.
3. For flush-mounted drawers, position the inner member 5/64" [2 mm] back from the front of the drawer or chassis. Mount using #8 pan head screws (Figure 4).
4. Check slide alignment by opening and closing the drawer/chassis. Any sign of binding indicates an issue with side space, alignment, or the cabinet and/or drawer are out of square. To adjust alignment, loosen the screws and adjust the slide position until movement is smooth. Retighten screws. Add additional screws if necessary to secure completely.



For the most current technical information visit www.accuride.com



Packaging

Bulk (P) Pack: Fasteners are **not** included.

Lengths 12"–14"	10 pair per box
Lengths 16"–18"	8 pair per box
Lengths 20"–24"	6 pair per box
Lengths 26"–28"	4 pair per box

Specifications

Slide Members:	Stainless Steel
Ball Retainers:	Stainless Steel
Ball Bearings:	Stainless Steel

Stainless Steel finish is RoHS compliant

NOTE: Specifications, materials, prices, terms, and delivery are subject to change without notice.

Slide Ordering Instructions

Call for stock availability. Lead times may vary depending on length and quantity requirements.

Complete your slide order for model SS2028 by specifying the following information:

	8 Pair	SS	2028	-18	P
Total Slides Required	_____	_____	_____	_____	_____
Slide Finish	_____	_____	_____	_____	_____
Slide Model	_____	_____	_____	_____	_____
Slide Length	_____	_____	_____	_____	_____
Bulk Packaging (Fasteners are not included)	_____	_____	_____	_____	_____

Accuride

ACCURIDE INTERNATIONAL INC.

12311 Shoemaker Avenue
Santa Fe Springs, CA 90670

TEL (562) 903-0200
FAX (562) 903-0208
www.accuride.com

Manufacturing, Engineering, and Sales
United States • Germany • Japan • Mexico • United Kingdom • China

Copyright © 2007 Accuride International Inc. 3700-9510(1189)-MK116-R1-0610