

# Accuride®

## MODEL 10EL

Electronic Lock

Withstands up to 150 pounds of force

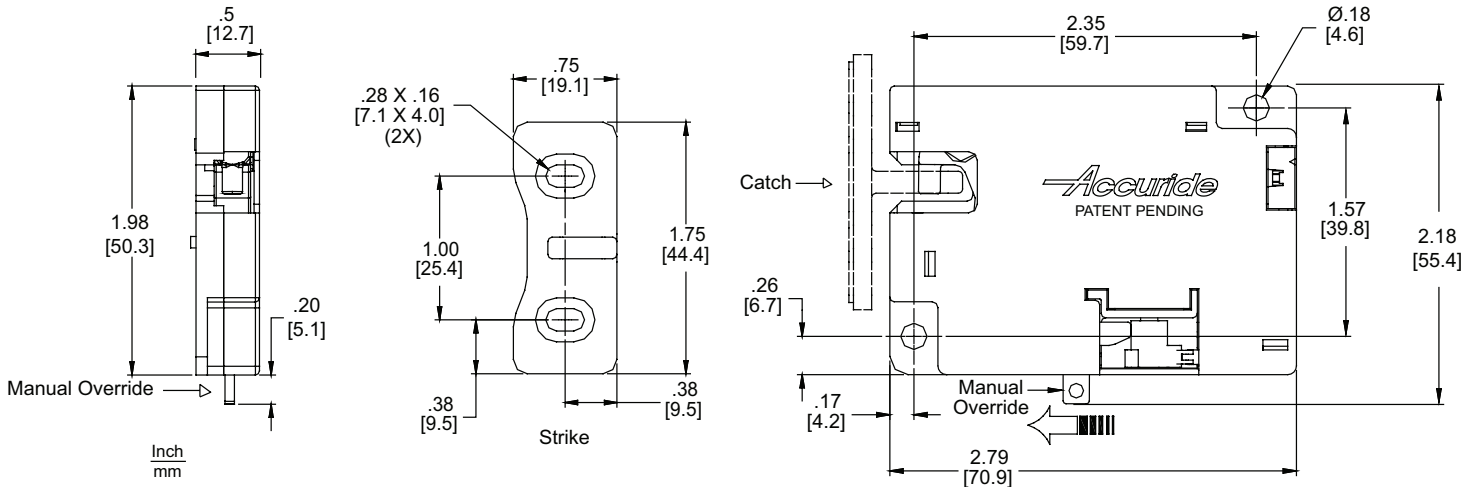
**APPLICATIONS:** Provides an easy-to-install method to secure and control access to doors and other openings. Patents Pending.

## 10EL QUICK REFERENCE

Height: 2.18" [55.4 mm]

Length: 2.79" [70.9 mm]

Thickness: .50" [12.7 mm]



Finish: Zinc and black polymer

Height: 2.18" [55.4 mm]

Length: 2.79" [70.9 mm]

Thickness: .50" [12.7 mm]

Mounting Hardware: #8 pan head screw

Features: Electronic locking mechanism with manual override  
Withstands up to 150 pounds of force  
Installation jig assists positioning

Cable: 12" cable

Options: Lock/Unlock (opened manually)  
Kick-out (propels units open about 2" when unlocked)  
Note: Kick-out action works best with auto-lock feature,  
which is controlled through activation device.

**ADE**  
Above Board Electronics, Inc.

Request Info  
⚙️ 🛒 ⌚

1-800-453-1692

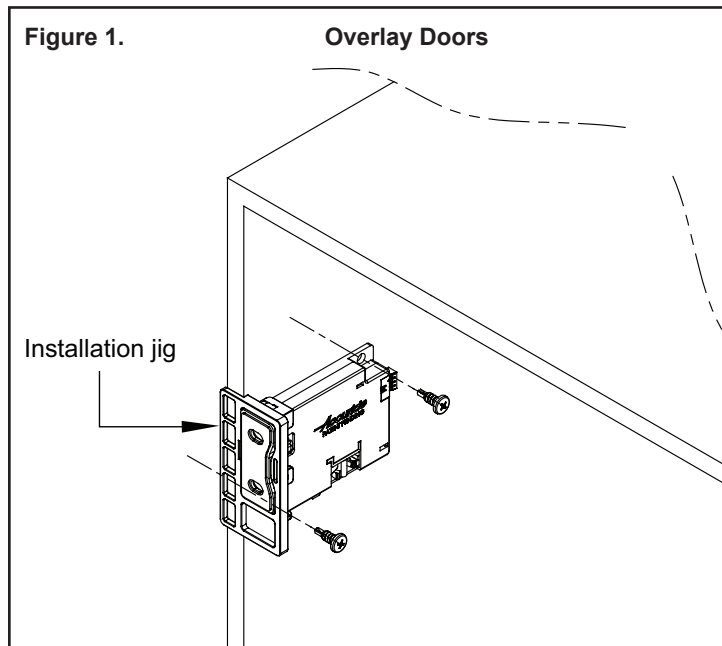
[www.aboveboardelectronics.com](http://www.aboveboardelectronics.com)



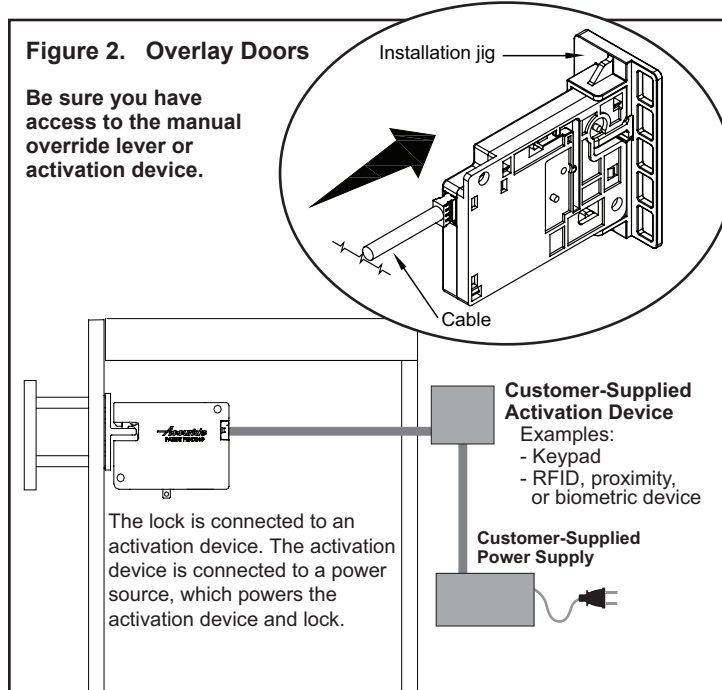
**WARNING!** Before installing the lock, you must have access to the manual override lever or to the connected activation device. **Otherwise, you will not be able to unlock and open the door.**

**Overlay Doors**

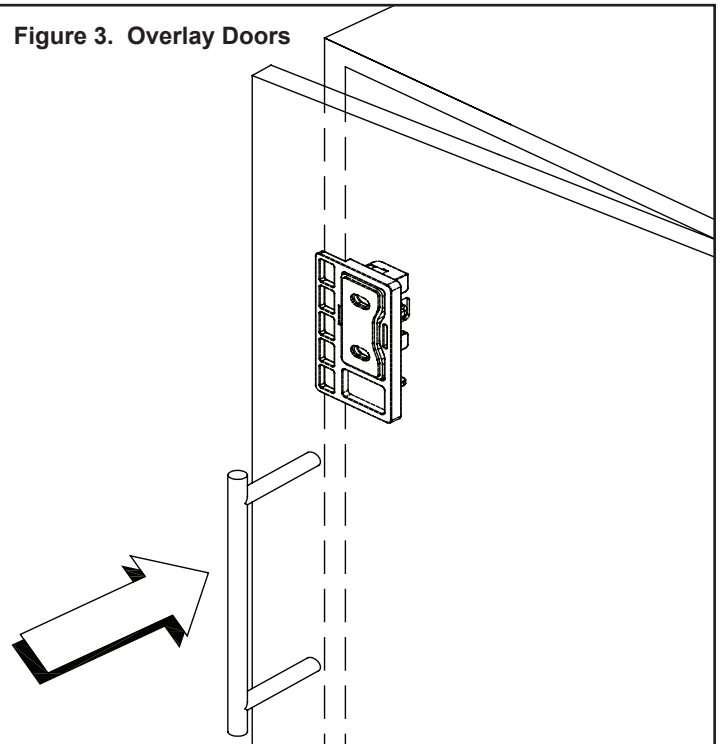
1. Locate lock assembly by placing the installation jig against the edge of the cabinet at the position desired (Figure 1).
2. Attach the lock assembly to the cabinet using the appropriate mounting screws for your application (Figure 1).



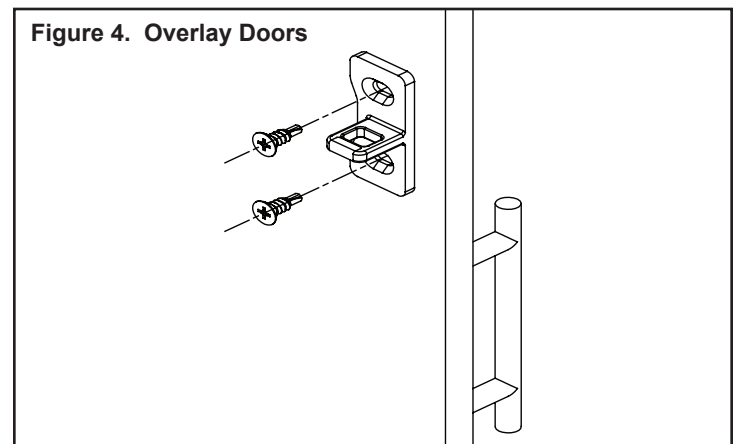
3. Install the cable to the connector located at the back of the lock assembly. Perform the electrical installation and **make sure the lock assembly locks and unlocks properly before closing the door** (Figure 2).



4. Remove one side of the backing from the double-sided tape and apply the tape to the door strike component.
5. With the lock in the closed position, peel the backing off of the double-sided tape on the door strike component.



6. Close the door and firmly apply pressure to ensure the door striker adheres to the door (Figure 3).
7. Disengage the lock from its closed position using the activation device or manual override.
8. Open the door and remove the installation jig. Attach the door striker using the appropriate flat-head mounting screws for your application (Figure 4).



**Inset Doors**

1. Drill pilot holes into your cabinet according to Figure 5. Be sure to take panel thickness into consideration.
2. Drill pilot holes into the door according to Figure 6.
3. Install the cable to the connector located at the back of the lock assembly. Perform the electrical installation and **make sure the lock assembly locks and unlocks properly before closing the door.**
4. Fasten lock and door strike respectively, using the appropriate mounting hardware for your application. See Figures 6 and 7.

Figure 5. Panel Preparation for Lock

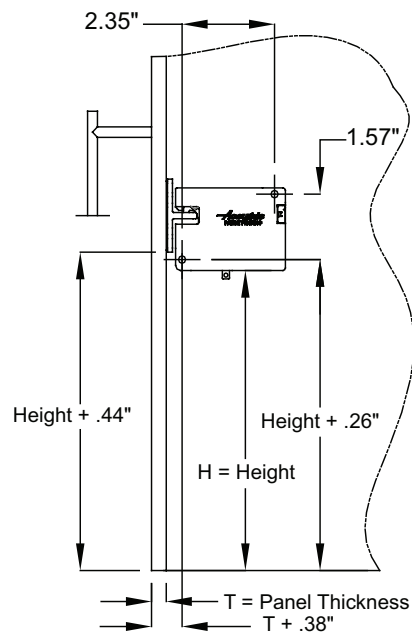


Figure 6. Panel Preparation for Door Strike

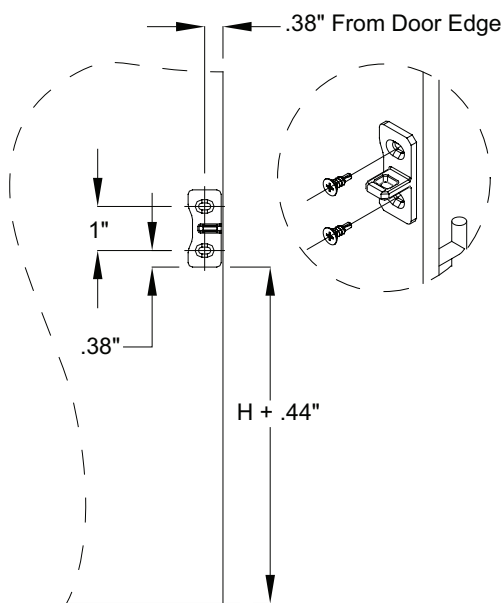
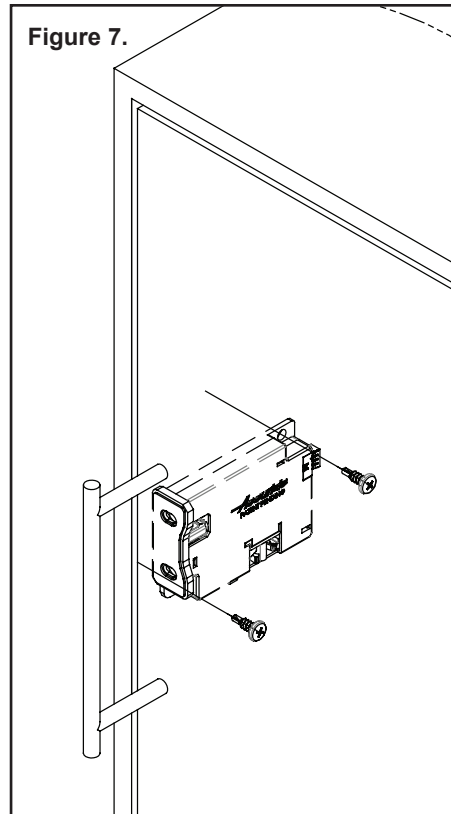


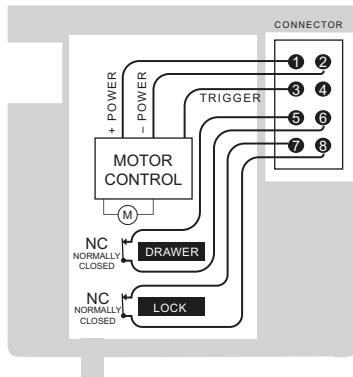
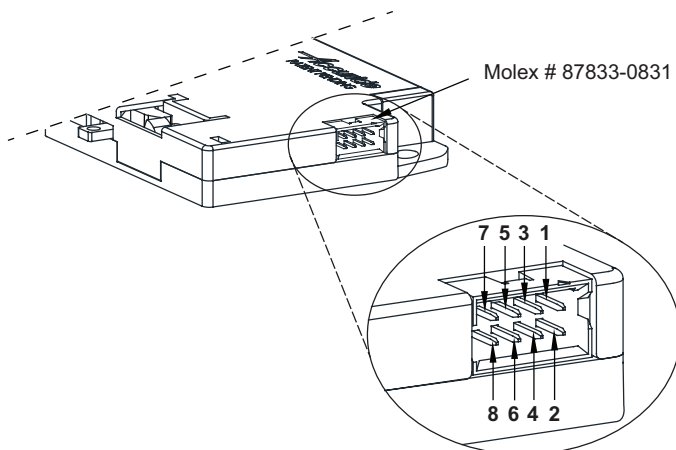
Figure 7.



**Technical Data**

For examples of how activation devices may be connected to the 10EL, see the Activation Device sheet on our website at: <http://www.accuride.com/Resources/PDF/EL-Activation.pdf>

**Power Requirements and Connectors**



- 1 — Power (+5 to +30 VDC)
- 2 — Power (-)
- 3 — Trigger (+5 to +30 VDC)
- 4 — No Connection
- 5 } Drawer Status Switch
- 6 }
- 7 } Lock Status Switch
- 8 }

**Wiring Schematic**

PIN	COLOR	
1	RED	— PWR (+5VDC to +30VDC)
2	BLACK	— PWR (-)
3	GREEN	— Trigger (+5 to +30 VDC)
4	NO WIRE*	
5	BROWN	— Drawer Status
6	ORANGE	
7	GRAY	— Lock Status
8	YELLOW	

**Technical Data**

Voltage Supply: +5VDC to +30VDC  
 Current Consumption: 100 mA/0.2 seconds  
 (Unlocking/Locking)

**Micro-Switch Specifications**

Contact Rating: 0.3A @ 6VDC  
 Electrical Life: 50,000 cycles typical  
 Mechanical Life: 100,000 cycles

**Notes:**

1. Drawer status switch:  
 Drawer open: switch = closed  
 Drawer closed: switch = open
2. Lock status switch:  
 Lock is unlocked: switch = closed  
 Lock is locked: switch = open
3. Trigger voltage (+) VDC at pin 3 will unlock EL.  
 EL will remain unlocked until +VDC is removed from pin 3.
4. (\*) Pin 4 is not used.

Distributor Bulk Pack: Includes one box with five boxes packed inside. Each sub box includes one lock, installation jig, double-sided tape, and 12" cable with 8-pin Molex connector.

**Optional Accessories**

P/N CBLEL-60 = 6' cable

**Specifications**

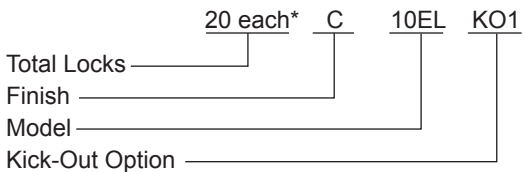
Lock: Zinc and black polymer.  
All components are RoHS compliant.

**NOTE:** Specifications, materials, prices, terms, and delivery are subject to change without notice.

**Ordering Instructions**

C 10EL KO1 (Kick-out-option)  
C 10EL 1 (Lock/Unlock)

Complete your slide order for 10EL by specifying the following:



\*Full Box Quantities

Accuride's Electronic Lock is warranted against defects in workmanship or materials under normal use for one (1) year after date of purchase from an authorized Accuride distributor. This limited warrant only covers the lock and its internal components. If the lock is attached to an Accuride slide, the slide is covered under Accuride's Limited Lifetime Warranty. If attached to an activation device, the activation device is covered under a separate warranty from the manufacturer.

Accuride will repair or replace (as determined by Accuride or its authorized representative at its sole discretion) defective products at no charge to the original purchaser within the warranty period so long as the original purchaser returns the product, shipping prepaid, to Accuride or an authorized Accuride distributor. This represents Accuride's sole warranty obligation to original purchasers of its product.

This warranty is non-transferrable. To the maximum extent permitted by applicable law, Accuride disclaims any other warranties, express or implied, including warranties of fitness for a particular purpose and warranties of merchantability. Accuride will not be liable for any damages whatsoever arising out of the use or inability to use the Electronic Lock, even if Accuride has been advised of the possibility of such damages. Accuride shall not be responsible for incidental or consequential damages; because some states or jurisdictions do not allow the exclusion or limitation of liability for consequential or incidental damages, the foregoing limitation may not apply. Any repair or modification of the Electronic Lock not performed or specifically authorized by Accuride will void the warranty provided above.

Accuride will not be responsible for damage to the Electronic Lock caused by misuse, abuse, failure to properly package the product for return to Accuride, or for damage caused by carriers during shipment either to or from Accuride or an authorized Accuride distributor.

This warranty does not extend to any damage to products used in conjunction with the Electronic Lock. Any repairs necessitated by misuse, abuse, or shipping damage to the Electronic Lock or repairs of defective Electronic Lock returned after the warranty period has expired will be performed at the current rates.

For repair or replacements of an Electronic Lock, please send the damaged unit to the following address, only after obtaining authorization from Accuride.

**Accuride International Inc.**  
**Attn: Technical Services**  
**Accuride/AF Romero**  
**Calexico, CA 92231**  
**www accuride.com**



ACCURIDE INTERNATIONAL INC.

12311 Shoemaker Avenue  
Santa Fe Springs, CA 90670

TEL (562) 903-0200

FAX (562) 903-0208

www accuride.com

Manufacturing, Engineering, and Sales

United States • Germany • Japan • Mexico • United Kingdom • China