



MODEL 3634/3634EC

Heavy-Duty Over Travel Slides
3634EC includes Easy-Close
3634 Hold-in Detent Feature

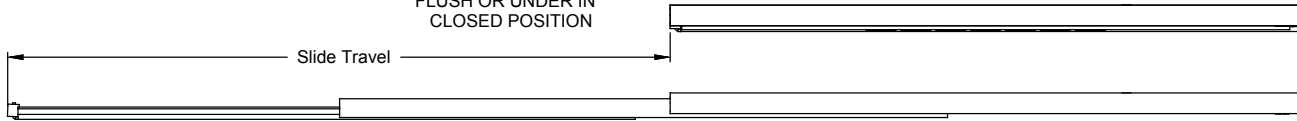
APPLICATIONS: Wider drawers and trays used for storage in retail fixtures, restaurants, medical facilities and business offices, as well as residential kitchens, garages, and more.

3634/3634EC

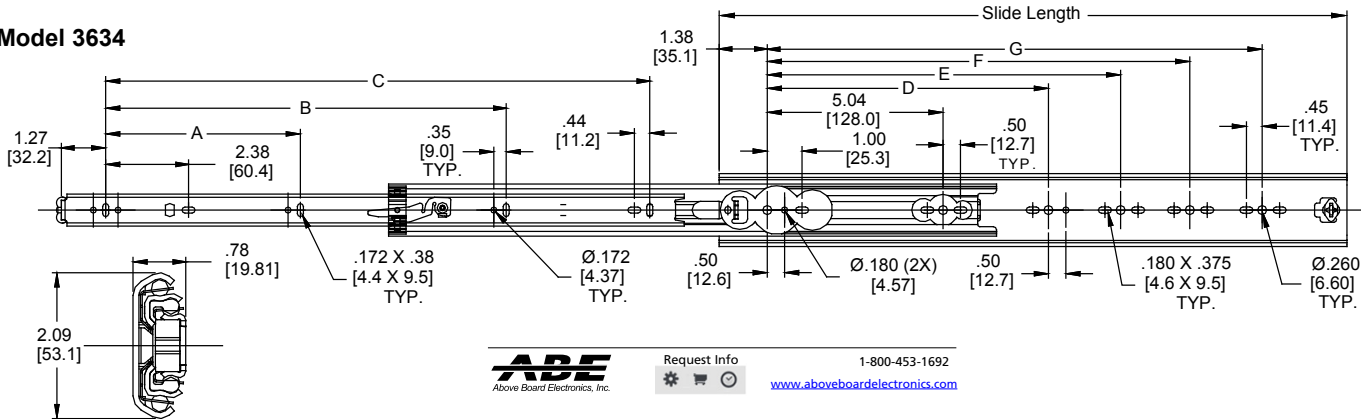
QUICK REFERENCE

Drawer size: 1 9/16" less than the cabinet opening
Lengths: 3634: 12"-28"
3634EC: 14"-28"
Height: 2.09"
Load Rating: 3634: 200 lbs.*
3634EC: 150 lbs.*

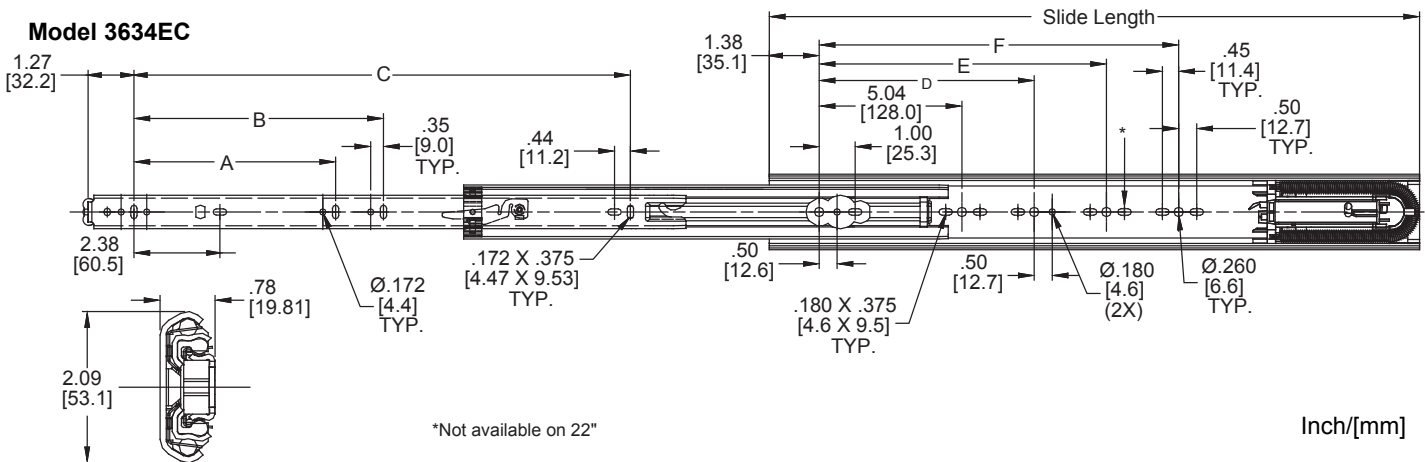
DRAWER MEMBER IS FLUSH OR UNDER IN CLOSED POSITION



Model 3634



Model 3634EC



Finishes: Clear zinc (C)
Black electroplate (CB)

Lengths: 3634: 12"-28" [305 mm-711 mm]
3634EC: 14"-28" [355 mm-700 mm]

Height: 2.09" [53.1 mm]

Load Rating: 3634: Side mount: 200 lbs. [91 kg] per pair*
Flat mount: 75 lbs. [34 kg] per pair*
3634EC: Side mount only: 150 lbs. [68 kg]**

Travel: 1" [25.4mm] over travel
Note: 3634-14" Full travel

Side Space: .78 +.000/-.02 [19.8 mm +0/- .5]

Recommended

Drawer Size: 1-9/16" [39.69 mm] less than the cabinet opening.

Disconnect: Handed lever disconnect

Mounting: 3634: side or flat mount
3634EC: side mount only

Hardware: Flat head 6 mm Euro System screw
or #8 pan head screw

Ball Bearings: Carburized Steel

Features: 3634: Hold-in detent to prevent drawer rollout and bounce-back; In and out stops silenced for quiet operation.

3634EC: Easy-Close brings drawer to a smooth, gentle close; out stop silenced for quiet operation.

* Side mount testing based on 22" slides on a 42" wide drawer, cycled 50,000 times.

** Flat mount testing based on 22" slides on a 24" wide drawer, cycled 15,000 times.

P/N	Slide Length	Slide Travel	A	B	C	D	E	F	G
3634-12	12.00 [304.8]	13.00 [330.2]			9.60 [243.8]	8.82 [224.0]			
3634-14	14.00 [355.6]	15.00 [381.0]	—		11.60 [294.6]	8.82 [224.0]			
3634EC-14	14.00 [355.6]	14.00 [355.6]	5.58 [141.8]		9.74 [247.4]	—			
3634-16	16.00 [406.4]	17.00 [431.8]	—		13.60 [345.4]	8.82 [224.0]			
3634EC-16	16.00 [406.4]	17.00 [431.8]	5.58 [141.8]		11.74 [298.2]	—			
3634-18	18.00 [457.2]	19.00 [482.6]	5.58 [141.8]	13.12 [333.2]	15.60 [396.2]	8.82 [224.0]	13.86 [352.0]		
3634EC-18	18.00 [457.2]	19.00 [482.6]	5.58 [141.8]	—	14.74 [349.0]	8.82 [224.0]	—		
3634-20	20.00 [508.0]	21.00 [533.4]	5.58 [141.8]	13.12 [333.2]	17.60 [447.0]	8.82 [224.0]	13.86 [352.0]		
3634EC-20	20.00 [508.0]	21.00 [533.4]	5.58 [141.8]	13.12 [333.2]	15.74 [399.8]	8.82 [224.0]	—		
3634-22	22.00 [558.8]	23.00 [584.2]	5.58 [141.8]	13.12 [333.2]	19.60 [497.5]	8.82 [224.0]	13.86 [352.0]	18.90 [480.0]	
3634EC-22	22.00 [558.8]	23.00 [584.2]	5.58 [141.8]	—	17.74 [450.6]	8.82 [224.0]	—	—	
3634-24	24.00 [609.6]	25.00 [635.0]	5.58 [141.8]	16.40 [416.6]	21.60 [548.6]	8.82 [224.0]	13.86 [352.0]	18.90 [480.0]	
3634EC-24	24.00 [609.6]	25.00 [635.0]	5.58 [141.8]	16.40 [416.6]	19.74 [501.4]	8.82 [224.0]	13.86 [352.0]	—	
3634-26	26.00 [660.4]	27.00 [685.8]	5.58 [141.8]	16.40 [416.6]	23.60 [599.4]	8.82 [224.0]	13.86 [352.0]		21.42 [544.0]
3634EC-26	26.00 [660.4]	27.00 [685.8]	5.58 [141.8]	16.40 [416.6]	21.74 [552.2]	8.82 [224.0]	13.86 [352.0]		—
3634-28	28.00 [711.2]	29.00 [736.6]	5.58 [141.8]	16.40 [416.6]	25.60 [650.2]	8.82 [224.0]	13.86 [352.0]	—	21.42 [544.0]
3634EC-28	28.00 [711.2]	29.00 [736.6]	5.58 [141.8]	13.12 [333.2]	23.74 [603.0]	8.82 [224.0]	13.86 [352.0]	18.90 [480.0]	—



Request Info 1-800-453-1692
   www.aboveboardelectronics.com

Installation Instructions

IMPORTANT: Drawer Preparation: for optimal performance construct drawer 1-9/16" less than the cabinet opening.

Cabinet Member Installation – Side Mount

1. To separate slide members, extend slide to expose lever, actuate lever and remove drawer member.

Install cabinet (large) member first. For applications with an overlay drawer front, refer to Figure 1 for conventional mounting. For applications with an inset drawer front, set the slide back the thickness of the drawer front plus 1/8" [3.2 mm].

32 mm System

1. Install cabinet members using 6 mm x 10 mm Euro screws. Be sure slides are parallel. Refer to Figure 1.1 for cabinet hole locations.

NOTE: Due to the heavy load capability and limitations of screw retention in wood products, Accuride recommends the use of two #10 screws, 3/4" long, at the front of the cabinet member and at least one at the rear. The hole pattern on the cabinet member matches Models 3832/3834.

Figure 1. 3634 Conventional Mounting – Cabinet

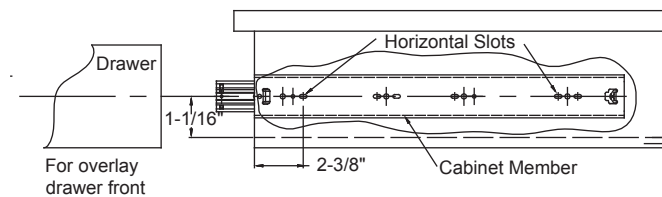


Figure 1.1. 3634 32mm System – Cabinet

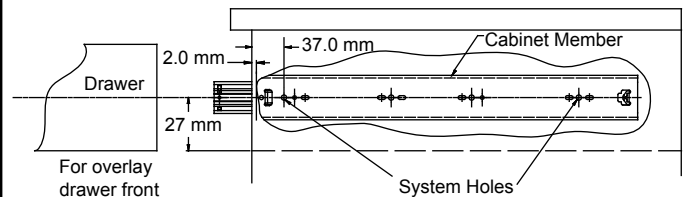


Figure 1. 3634EC Conventional Mounting – Cabinet

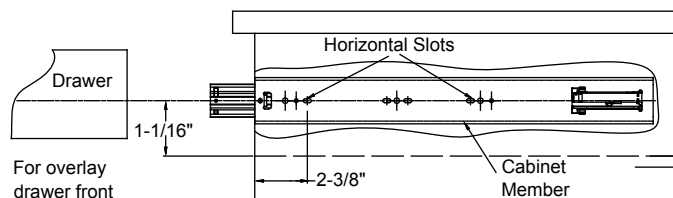
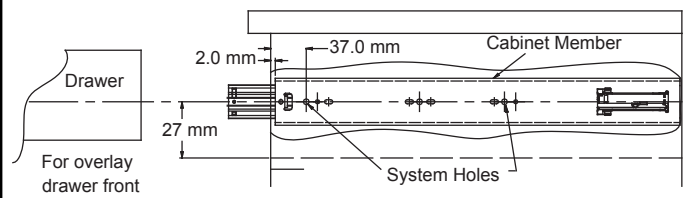


Figure 1.1. 3634EC 32mm System – Cabinet



Install Drawer Member

- Mount inner member (smallest) to drawer using #8 slotted pan head screws. See Figure 1.2 and Figure 1.3. Leave all screws loose until final adjustment.
- Before installing the drawer member into the cabinet, be sure the ball retainers in the cabinet are fully forward. Install drawer into cabinet. Close the drawer and cycle.
- Adjust slide position until movement is smooth. Install additional set screws to secure and tighten to complete installation.

Figure 1.2. 3634 Drawer Member Installation – Conventional Mounting

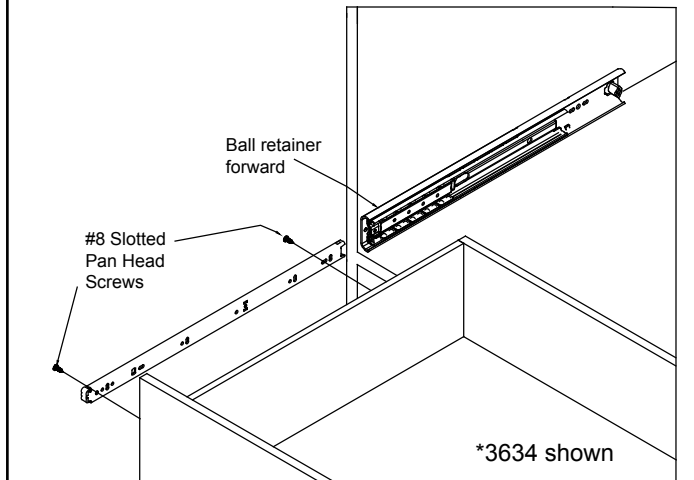
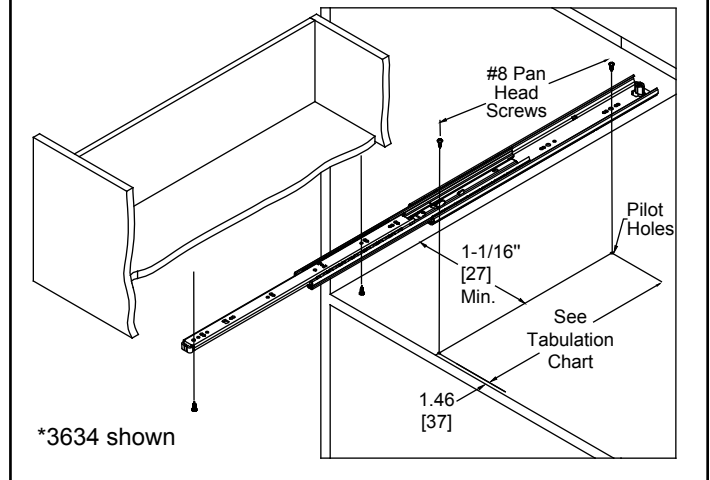


Figure 2. Under/Flat Mount Installation

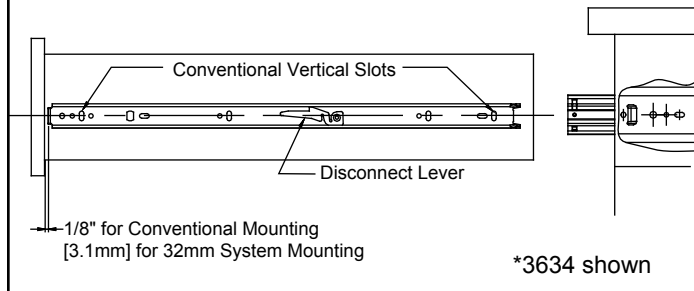


Ordering Instructions

Complete your slide order for models 3634 and 3634EC specifying the following:

	<u>100</u>	<u>Pair</u>	<u>C</u>	<u>3634</u>	<u>-18</u>	<u>EC</u>	<u>D</u>
Total Required Slides							
Slide Finish							
Slide Model							
Slide Length							
Easy-Close Feature							
Optional Polybag Packaging							

Figure 1.3. 3634EC Drawer Member Installation – Conventional Mounting



Under/Flat Mount Installation

- Install cabinet members on cabinet floor, making sure slides are parallel. Secure in place. (Figure 2)
- Position drawer members under drawer bottom 1/8" from the back of the drawer face (overlay drawer). Install screws through mounting holes into the bottom of the drawer.

Minimum Screw Length = Drawer Bottom Thickness - 1/16" (1/2" Drawer Bottom Thickness Minimum)

- Before installing the drawer into the cabinet, be sure the ball retainer in the cabinet member is fully forward. Install drawer into cabinet. Close the drawer and cycle.

Packaging Options

Models 3634, 3634EC available in D-pack or bulk packaging.

Distributor (D) Pack: All lengths are packaged 5 pair per box. Polybag includes one pair of slides with mounting screws.

Bulk (P) Pack: All lengths are packaged 5 pair per box. Slides and screws are ordered and packaged separately.

Specifications

Slide members and ball retainers: Cold rolled steel

Ball bearings: Carburized steel

RoHS compliant

NOTE: Specifications, materials, prices, terms, and delivery are subject to change without notice.

Accuride

ACCURIDE INTERNATIONAL INC.

12311 Shoemaker Avenue
Santa Fe Springs, CA 90670

TEL (562) 903-0200

FAX (562) 903-0208

www accuride.com

Manufacturing, Engineering, and Sales

United States • Germany • Japan • Mexico • United Kingdom • China

Copyright © 2015 Accuride International Inc. 3700-9559(1262)-MK981-N-0515



Request Info



1-800-453-1692

www.aboveboardelectronics.com