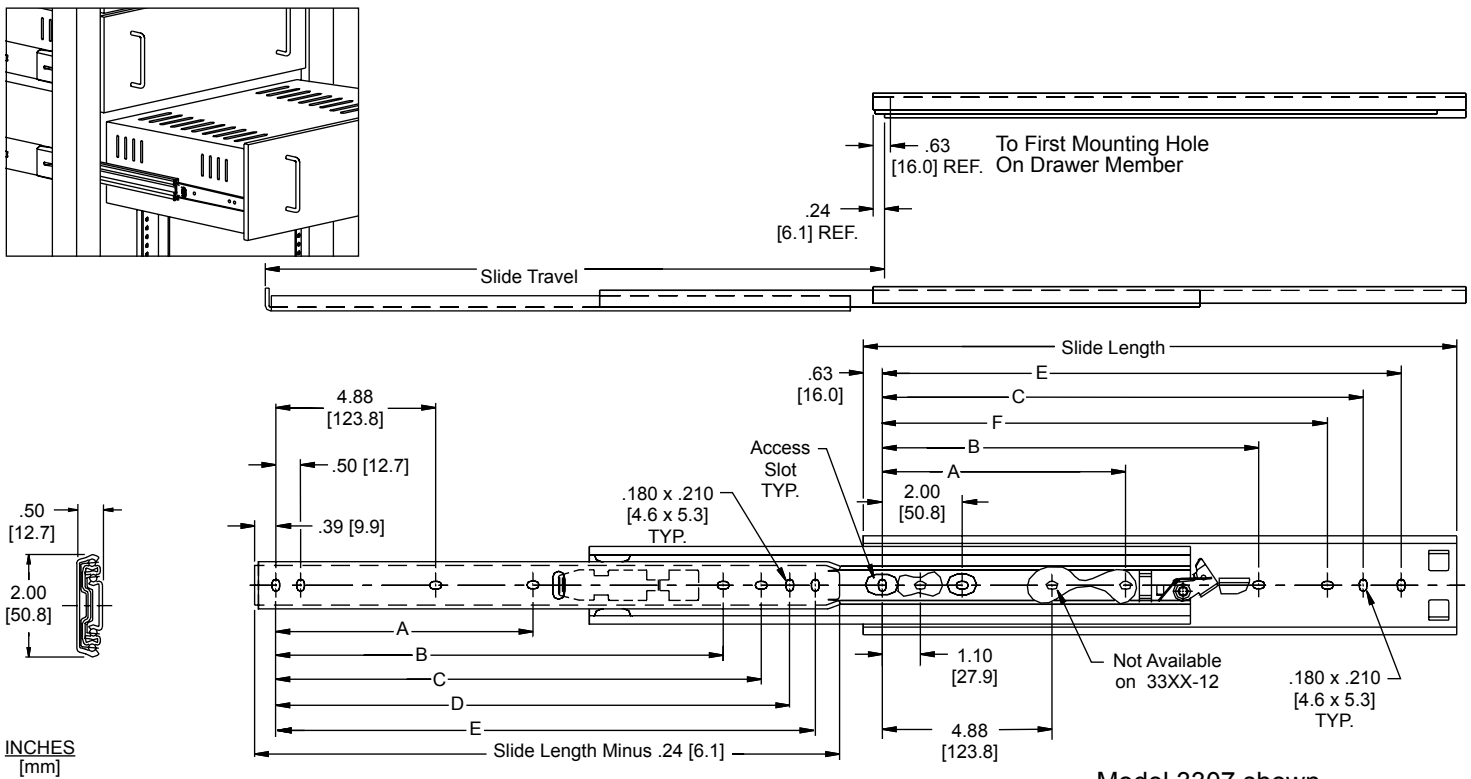


APPLICATIONS: Storage drawers and trays in industrial workstations and machinery, medical equipment, electronic enclosures, and more.

Medium Duty Slide
Over Travel, Front Disconnect
Up to 150 lb.* [68 kg.] Capacity



Model 3307 shown

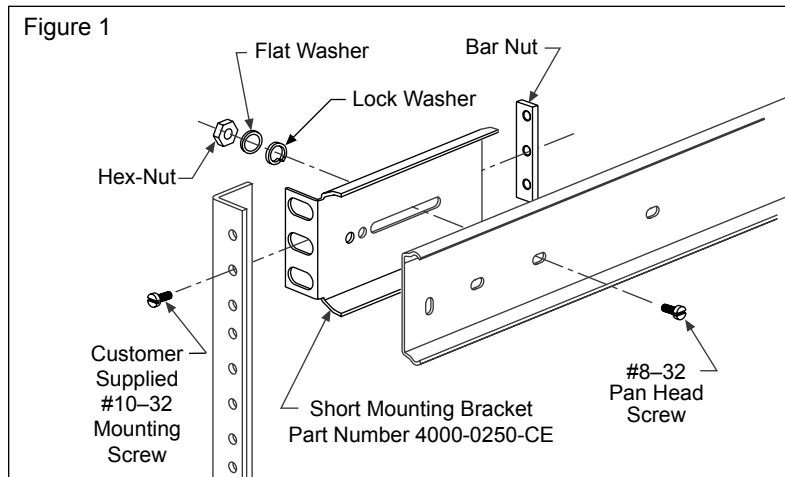
- | | | | |
|--------------------|---------------------------------------|-------------------|---|
| Finish | Bright electro-zinc (C) plating only | Mounting | Bracket or hard mounting |
| Lengths | 12"-30" [305 mm-762 mm] | Hardware | #8 pan head screws |
| Height | 2.00" [50.8 mm] | Disconnect | Disconnect latch |
| Load Rating | See Chart* | Features | Model 3307: lock-out + disconnect latch.
Lock-out holds chassis fully open. |
| Side Space | .50" +.015/-0.000 [12.7 mm +0.4/-0.0] | | Model 3357: Stop-out + disconnect latch.
Stop-out does not hold chassis in open position. |
| Travel | Slide length plus 1.00" [25.4 mm] | | |

Part Number	Slide Length	Slide Travel	Load Rating lbs [kg] per pair	A	B	C	D	E	F
33XX-12	12.00 [305]	13.00 [330]	150 [68]			9.25 [235.0]	9.75 [247.7]	10.25 [260.4]	8.25 [209.6]
33XX-14	14.00 [356]	15.00 [381]	148 [67]			11.25 [285.8]	11.75 [298.5]	12.25 [311.2]	10.25 [260.4]
33XX-16	16.00 [406]	17.00 [432]	147 [67]			13.25 [336.6]	13.75 [349.3]	14.25 [362.0]	12.25 [311.2]
33XX-18	18.00 [457]	19.00 [483]	146 [66]	7.00 [177.8]	12.38 [314.3]	15.25 [387.4]	15.75 [400.1]	16.25 [412.8]	14.25 [362.0]
33XX-20	20.00 [508]	21.00 [533]	145 [66]	8.00 [203.2]	14.38 [365.1]	17.25 [438.2]	17.75 [450.9]	18.25 [463.6]	16.25 [412.8]
33XX-22	22.00 [559]	23.00 [584]	140 [64]	9.00 [228.6]	16.38 [415.9]	19.25 [489.0]	19.75 [501.7]	20.25 [514.4]	18.25 [463.6]
33XX-24	24.00 [610]	25.00 [635]	135 [61]	10.00 [254.0]	18.38 [466.7]	21.25 [539.8]	21.75 [552.5]	22.25 [565.2]	20.25 [514.4]
33XX-26	26.00 [660]	27.00 [686]	127 [58]	11.00 [279.4]	20.38 [517.5]	23.25 [590.6]	23.75 [603.3]	24.25 [616.0]	22.25 [565.2]
33XX-28	28.00 [711]	29.00 [737]	120 [54]	12.00 [304.8]	22.38 [568.3]	25.25 [641.4]	25.75 [654.1]	26.25 [666.8]	24.25 [616.0]
33XX-30	30.00 [762]	31.00 [787]	112 [51]	13.00 [330.2]	24.38 [619.3]	27.25 [692.2]	27.75 [704.9]	28.25 [717.6]	26.25 [666.8]

* Load rating based on testing of model 3307 in a 16" wide chassis cycled 10,000 times.

Instructions to Bracket Mount

1. To ensure proper operation of the slides, make certain that all bracket mounting screws (#8-32) are inserted so the screw heads are inside the slides. (No washers on the inside of the slides.)
2. Separate slide members by depressing the disconnect latch.
3. Using mounting kits and brackets, mount brackets to slide outer members (largest). For adjustment purposes, screw the back brackets on loosely.
4. Install slides into EIA rack with #10-32 screws (customer supplied) and secure with bar nuts. Rear adjustment is possible by aligning the back brackets. Do not tighten screws until final adjustment is made.
5. Mount slide chassis member (smallest) to the chassis. Position slides 1/4" from the front edge of the chassis making sure both slides are parallel.
6. With cabinet members in the closed position and ball retainers fully forward, install chassis by engaging the slide members and close completely. Check slide alignment by opening and closing the chassis. Any sign of binding indicates lateral stress or misalignment.
7. Adjust slide position until movement is smooth. Tighten all screws and if necessary, use more screws to secure slides and complete installation.



Instructions to Hard Mount

1. To ensure proper operation of the slide, make certain that all mounting screws (#8-32) are inserted so the screw heads are inside the slides. (No washers on the inside of the slides.)
2. Separate slide members by depressing the disconnect latch.
3. With slides fully extended, install slide cabinet members (largest) into the cabinet using #8 pan head screws. Ensure slides are parallel.
4. Mount slide drawer members (smallest) to the drawer. Leave all screws loose for future adjustment. Ensure slides are parallel.
5. With cabinet members in the closed position and ball retainers fully forward, install drawer by engaging the slide members and close completely. Check slide alignment by opening and closing the drawer. Any sign of binding indicates lateral stress or misalignment.
6. Adjust slide position until movement is smooth. Tighten all screws and if necessary, use more screws to secure slides and complete installation.

Complete your slide order for model 3307 (lock-out) or 3357 by specifying the following.

	10 Pair	C	33XX	-18	D
Total Slides Required	_____	_____	_____	_____	_____
Slide Finish	_____	_____	_____	_____	_____
Slide Model	_____	_____	_____	_____	_____
Slide Length	_____	_____	_____	_____	_____
Optional Polybag Packaging	_____	_____	_____	_____	_____

Optional Hardware Kits-Ordered Separately

Order 1 bracket mounting kit, part number 4180-0219-XE, for each pair of slides ordered. Each kit contains 4 short mounting brackets and mounting hardware. Hardware kit includes screws, hex-nuts, washers, and bar nuts.

	10 Each	4180-0219-XE
Total Kits Required	_____	_____
Kit Part Number	_____	_____

Packaging

Distributor (D) Pack: Polybag contains one pair of slides and one slide mounting hardware kit. Brackets ordered separately.

Lengths 12"-20"	10 pair per box
Lengths 22"-30"	5 pair per box

Bulk (P) Pack: Slides and optional mounting bracket kit are ordered and packaged separately.

Lengths 12"-20"	10 pair per box
Length 22"	9 pair per box
Lengths 24"-30"	7 pair per box

Specifications

Slide members and ball retainers: Cold rolled steel

Ball bearings: Carburized steel

RoHS compliant

NOTE: Specifications, materials, prices, terms, and delivery are subject to change without notice.



ACCURIDE INTERNATIONAL INC.

12311 Shoemaker Avenue
Santa Fe Springs, CA 90670

TEL (562) 903-0200
FAX (562) 903-0208
www.accuride.com

Manufacturing, Engineering, and Sales

United States • Germany • Japan • Mexico • United Kingdom • China