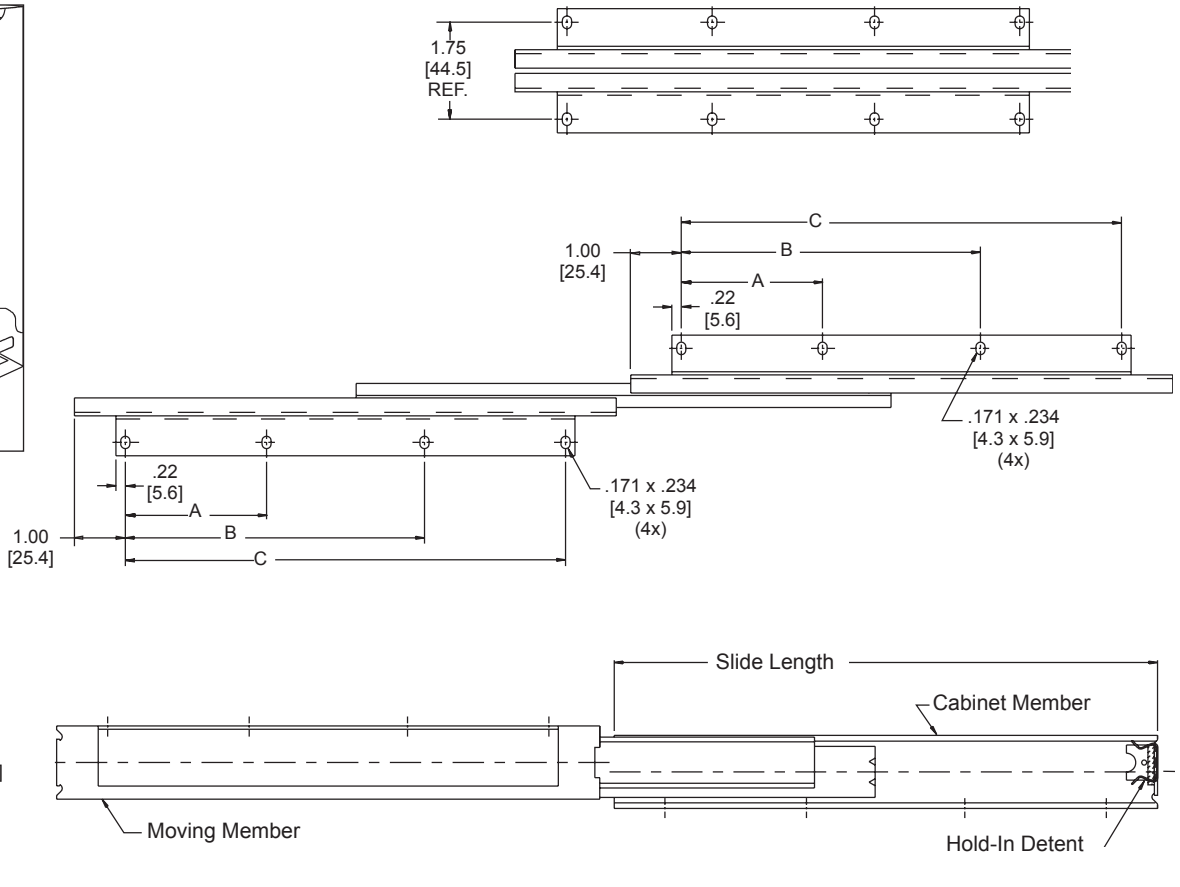
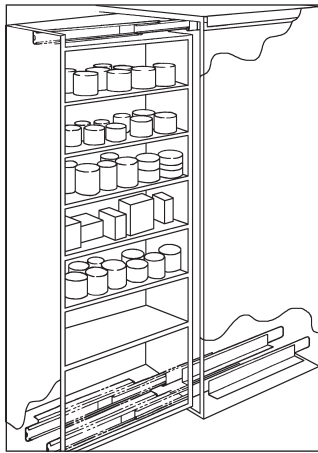
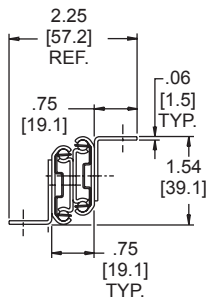


APPLICATIONS: Pull-out storage shelves, kitchen pull-out pantries, and entertainment centers. Battery trays, storage bins, and generators.

Undermount Shelf Slide
Non-Disconnect
Over Travel
Up to 155 lb.* [70 kg.] Capacity



INCHES
[mm]



Finish	Bright electro-zinc (C) or black zinc (CB) plating
Length	12"–28" [305 mm–711 mm]
Height	1.54" [39.1 mm]
Side Space	.75" [19.1 mm] slide only 2.25" [57.2 mm] with brackets
Load	Up to 155 lbs [70 kg]*
Travel	Slide length plus .83" [21.1 mm]
Mounting	Bracket/undermount
Hardware	#8 pan head or round head screws
Features	Hold-in detent, silenced open and closed, slide is handed

* Load rating based on a 16" wide shelf cycled 50,000 times.

Part Number	Slide Length	Slide Travel	Load Rating lb. [kg] per pair*	A	B	C
301-2590-12	12.00 [305]	12.83 [325.9]	155 [70]	4.00 [101.6]	6.00 [152.4]	10.00 [254.0]
301-2590-14	14.00 [356]	14.83 [376.7]	148 [67]	4.00 [101.6]	8.00 [203.2]	12.00 [304.8]
301-2590-16	16.00 [406]	16.83 [427.5]	140 [64]	4.00 [101.6]	10.00 [254.0]	14.00 [355.6]
301-2590-18	18.00 [457]	18.83 [478.3]	130 [59]	4.00 [101.6]	12.00 [304.8]	16.00 [406.4]
301-2590-20	20.00 [508]	20.83 [529.1]	122 [55]	7.00 [177.8]	11.00 [279.4]	18.00 [457.2]
301-2590-22	22.00 [559]	22.83 [579.9]	113 [51]	7.00 [177.8]	13.00 [330.2]	20.00 [508.0]
301-2590-24	24.00 [610]	24.83 [630.7]	104 [47]	7.00 [177.8]	15.00 [381.0]	22.00 [558.8]
301-2590-26	26.00 [660]	26.83 [681.5]	95 [43]	7.00 [177.8]	17.00 [431.8]	24.00 [609.6]
301-2590-28	28.00 [711]	28.83 [732.3]	85 [39]	7.00 [177.8]	19.00 [482.6]	26.00 [660.4]

Installation Instructions

1. Mark a line at least 1/4" [6.4 mm] in from the right side of the cabinet opening and parallel to the cabinet side.
2. Locate a point on this line 1.00" [25.4 mm] back from the desired front of the slide.
3. Using #8 pan or round head screws, mount the cabinet member bracket through the first hole at this point.

NOTE: For maximum strength, ensure that the hold-in detent spring is installed inside the cabinet.

4. Mount the left hand slide similarly, locating the screw centerline of the cabinet member bracket at least 1/4" [6.4 mm] in from the left side of the opening.
5. Keeping the right and left hand slides parallel, install the remainder of the cabinet member screws.

NOTE: When using soft materials such as particle board, replace rear cabinet mounting screws with through bolts.

6. With slides extended, center the shelf and drive the screws up through the moving member brackets into the bottom of the shelf.

NOTE: If the unit is mounted too close to the floor reverse the procedure above and install the moving member screws first.

Slide Ordering Instructions

Complete your slide order for Accuride model 301-2590 by specifying the following:

	<u>20</u>	<u>Pair</u>	<u>C</u>	<u>301-2590</u>	<u>-16</u>	<u>D</u>
Total Required Slides	_____	_____	_____	_____	_____	_____
Slide Finish	_____	_____	_____	_____	_____	_____
Slide Model Number	_____	_____	_____	_____	_____	_____
Slide Length	_____	_____	_____	_____	_____	_____
Optional Polybag Packaging	_____	_____	_____	_____	_____	_____

Packaging

Distributor (D) Pack: All lengths are packaged 5 pair per box. Polybag includes one pair of slides and mounting screws.

Bulk Pack: Slides only. Left hand slides and right hand slides are packaged in separate boxes.

Lengths 12"–18"	20 each per box
Lengths 20"–28"	10 each per box

Specifications

Slide members and ball retainers: Cold rolled steel
Ball bearings: Carburized steel

NOTE: Specifications, materials, prices, terms, and delivery are subject to change without notice.

Accuride

ACCURIDE INTERNATIONAL INC.

12311 Shoemaker Avenue
Santa Fe Springs, CA 90670

TEL (562) 903-0200
FAX (562) 903-0208
www accuride.com

Manufacturing, Engineering, and Sales

United States • Germany • Japan • Mexico • United Kingdom • China

Copyright © 2007 Accuride International Inc. 3700-9298(9299)-MK020-R8-1107