

Accuride®

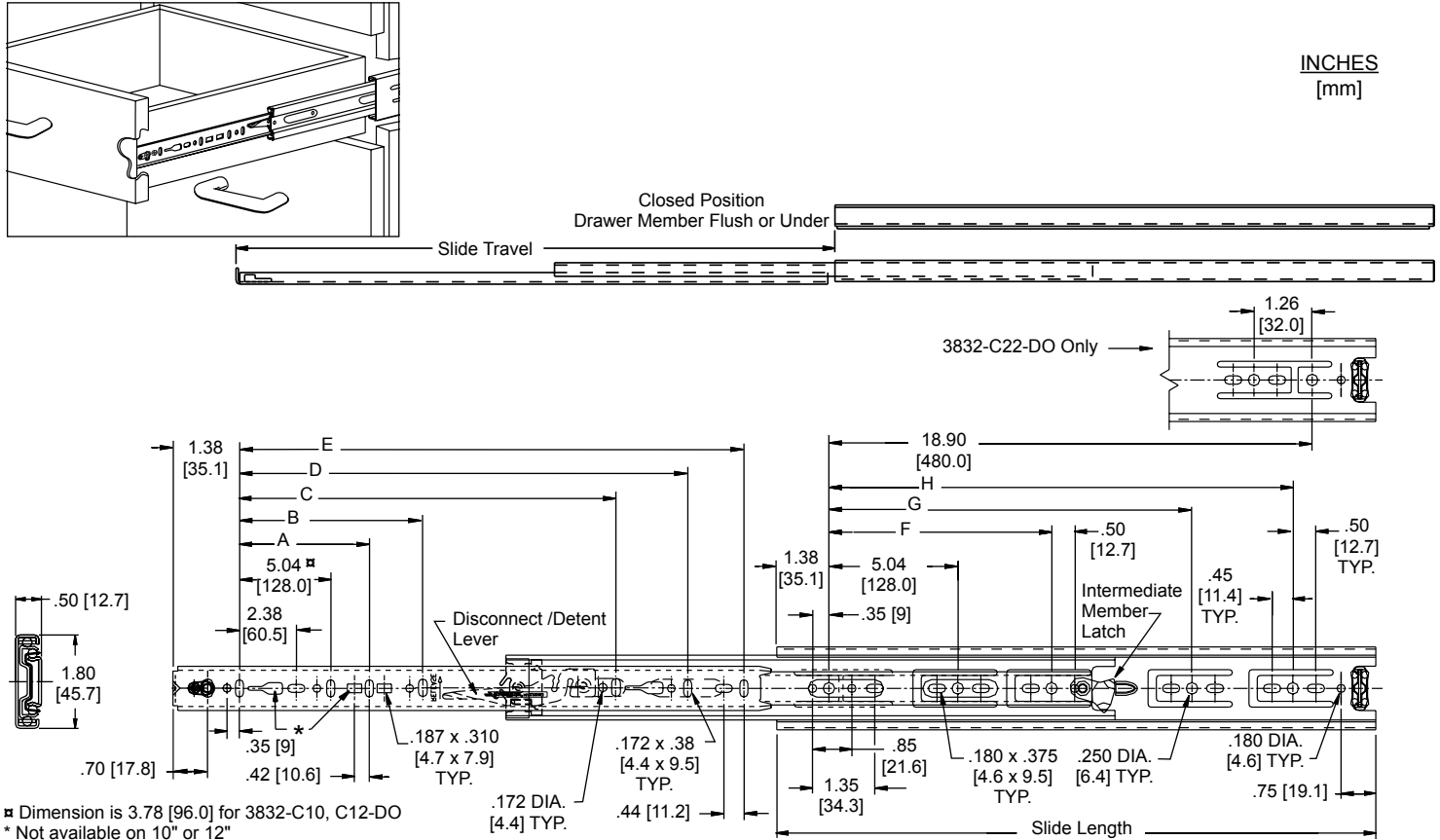
MODEL 3832CDO DRAWER ADJUST

Detent In and Out
Vertical Drawer Adjustment Cam
Optional Face Frame Brackets

APPLICATIONS: For use on keyboard shelves, pull-out work surfaces or box drawers. Not intended for lateral file** drawer applications. Use for side mount only. This product is covered by U.S. (5,980,007) and various foreign patents issued and/or pending.

3832CDO QUICK REFERENCE

Side space: 1/2" + 1/16" x 2
Length: 10"-28"
Overall slide dimensions: 1.80" x 1/2"
Minimum drawer height: 1-7/8"
Load Rating: 100 lbs.*



- Finishes** Clear electroplate (C), black, electroplate (CB), or white electrocoat (EW) finish
- Lengths** 10"-28" [199 mm-700 mm]
- Side Space** .50" +0.031 / -0.0 [12.7 mm +.8 / -0.0]
- Travel** Full extension
- Height** 1.80" [45.7 mm]
- Load** 100 lbs. [45.5 kg.] per pair*
- Disconnect** Front, handed lever
- Mounting** Side or optional face frame brackets
- Hardware** Flat head 6 mm Euro System screw or #8 pan head screw
- Ball Bearings** C & CB finish: Steel
EW finish: Acetal polymer in drawer member
- Features** Detent open and closed; drawer member has vertical adjustment cam; silenced open and closed.

Part Number	Slide Length	Slide Travel	A	B	C	D	E	F	G	H
3832-C10-DO	9.84 [250]	9.59 [243]					7.56 [192]			
3832-C12-DO	11.81 [300]	12.00 [305]					9.52 [242]	8.82 [224]		
3832-C14-DO	13.78 [350]	14.00 [356]					11.50 [292]	8.82 [224]		
3832-C16-DO	15.75 [400]	16.00 [406]					13.47 [342]	8.82 [224]	12.60 [320]	
3832-C18-DO	17.72 [450]	18.00 [457]			12.60 [320]		15.43 [392]		13.86 [352]	
3832-C20-DO	19.69 [500]	20.00 [508]			12.60 [320]		17.40 [442]		16.38 [416]	
3832-C22-DO	21.65 [550]	22.00 [559]			12.60 [320]	16.38 [416]	19.37 [492]		13.86 [352]	
3832-C24-DO	23.62 [600]	24.00 [610]	8.82 [224]		16.38 [416]		21.34 [542]	8.82 [224]	13.86 [352]	18.90 [480]
3832-C26-DO	25.59 [650]	26.00 [660]	8.82 [224]		16.38 [416]	21.42 [544]	23.31 [592]	8.82 [224]	13.86 [352]	21.42 [544]
3832-C28-DO	27.56 [700]	28.00 [711]	8.82 [224]	11.34 [288]	16.38 [416]	21.42 [544]	25.28 [642]	8.82 [224]		21.42 [544]

* Load rating based on an 18" slide mounted in a 16" wide drawer cycled 50,000 times.
** A lateral file drawer is wider than it is deep.

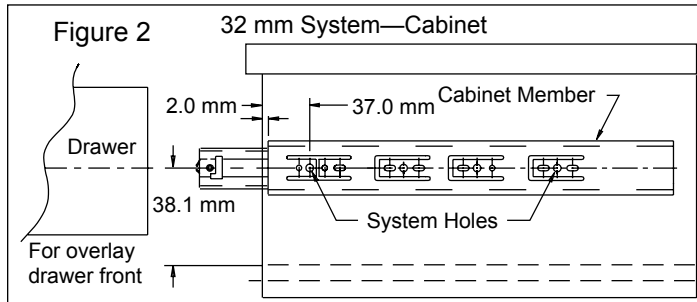
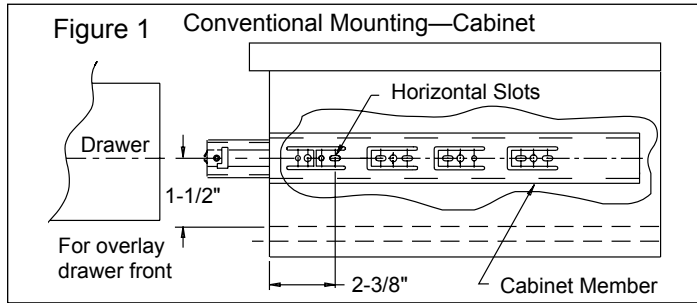
1. Drawer Box Preparation

Drawer box width should not exceed slide length.
 Slides will not function properly if side space is less than .50" [12.7 mm]. For optimum performance, construct drawer 1-1/16" [27.0 mm] smaller than cabinet opening.

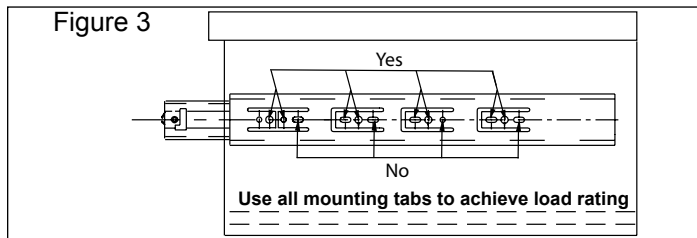
2. Cabinet Member Installation

- Overlay drawer front:**
- Conventional mounting, see Figure 1.
 - 32 mm system mounting, see Figure 2.

Inset drawer front: slide setback is the thickness of the drawer front plus 1/8" [3.2 mm].

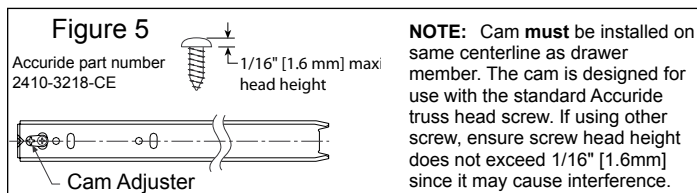
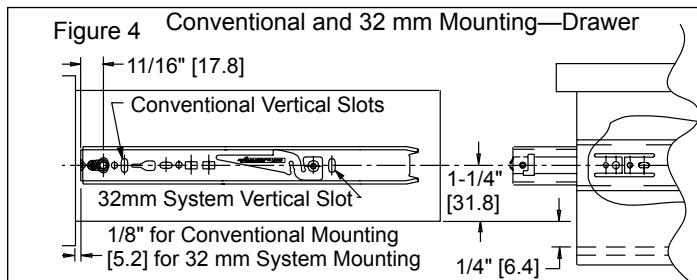


Use only the 32 mm system holes or the wood screw holes located at the tip of the breathing tabs. Do not use any other holes on the cabinet member for mounting (Figure 3).



3. Drawer Member Installation

See Figure 4 for drawer member setback.
 Install the drawer member with a screw through the cam adjuster and a screw through a hole or slot at the rear (Figure 5).



For the most current technical information visit www.accuride.com

4. Drawer Insertion and Adjustment

Make sure the ball bearing retainers in the cabinet member are fully forward. Insert the drawer member into the cabinet member. Push the drawer in until completely closed. Cycle the drawer two or three times.

To adjust the drawer front position, open the drawer and rotate the cam with a Phillips or Pozi screwdriver to adjust the vertical position of the drawer. Total vertical adjustment is 1/8" [3.2 mm]; +/- 1/16" [1.6 mm] from center up and down.

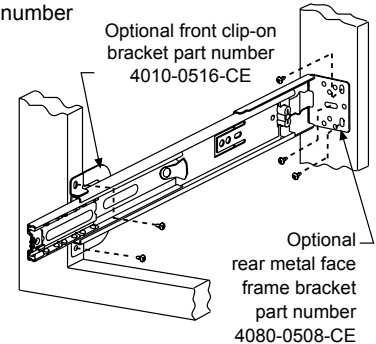
Install additional set screws to secure. Install drawer pulls or knobs.

Optional Face Frame Brackets

Face frame brackets are ordered as a kit or in bulk. Brackets are available in clear zinc finish only. Mounting screws are not included.

To order kits, specify part number 4180-0322-XE. Each kit contains: 2 front brackets, 2 rear brackets, and installation instructions. Order 1 kit per pair of slides.

For bulk, order 2 front brackets (P/N 4010-0516-CE) and 2 rear brackets (P/N 4080-0508-CE) per pair of slides.



Slide Ordering Information

Complete your slide order for Accuride models 3832-DO by specifying the following:

	50	Pair	C	3832	-C18	DO	D
Total Required Slides	_____						
Slide Finish	_____						
Slide Model	_____						
Slide Length	_____						
Detent Out Feature	_____						
Polybag Packaging	_____						

Packaging

Distributor (D) Pack: All lengths are packaged 10 pair per box. Polybag includes one pair of slides with mounting screws.

Bulk (P) Pack: All lengths are packaged 10 pair per box. Slides and screws are ordered and packaged separately.

Available in clear zinc (C), black (CB), and white (EW) finishes.

Specifications

Slide members and ball retainers: Cold rolled steel
 Ball bearings: Carburized steel/acetal polymer
 RoHS compliant.

NOTE: Specifications, materials, prices, terms, and delivery are subject to change without notice.



ACCURIDE INTERNATIONAL INC.

12311 Shoemaker Avenue
 Santa Fe Springs, CA 90670
 TEL (562) 903-0200
 FAX (562) 903-0208
www.accuride.com
 Manufacturing, Engineering, and Sales
 United States • Germany • Japan • Mexico • United Kingdom • China

Copyright © 2007 Accuride International Inc. 3700-9465(1110)-MK078-R7-1013