



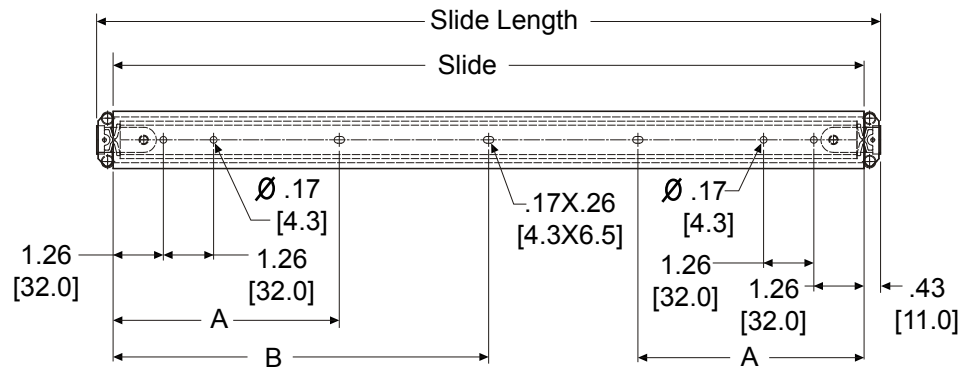
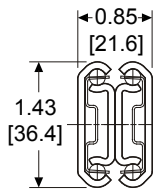
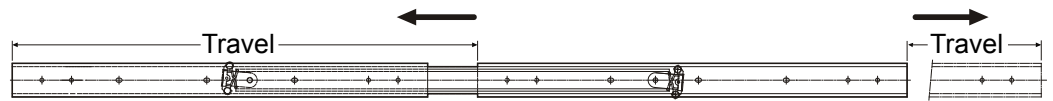
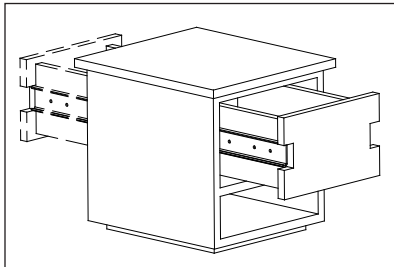
## MODEL 0363

Two-Way Travel Slide  
Full Extension  
Up to 100 lb. [45 kg.] Load Capacity\*\*

**Applications:** Kitchen islands, pass-through shelves, and medical carts. Use Model 0363 wherever full access is needed from both sides of the installation. **This product is covered by U.S. and various foreign patents issued and/or pending.**

## 0363 QUICK REFERENCE

Full Extension Two-Way Travel  
Lengths: 16", 20", 24", and 28"  
Load Rating: Up to 100 lbs [45 kg.]  
Height: 1.43" [36.4]  
Side Space: .85" [21.6]



INCHES  
[mm]

- Finish** Bright electro-zinc (C) (RoHS Compliant)
- Length** 16", 20", 24", and 28"  
[400 mm, 500 mm, 600 mm, 700 mm]
- Height** 1.43" [36.4 mm]
- Travel** Two-way travel, full extension
- Load** 100 lbs.\*\* [45 kg] per pair
- Also** Center detent, non disconnect
- Hardware** Not included

Part Number	Slide Length	Slide	Travel	Travel X 2	A	B	Slide Weight	Load Rating
C0363-16	15.75 [400]	14.88 [378]	17.00 [432]	34.00 [864]	5.67 [144]	-	4.6 [2.08]	88 [40]
C0363-20	19.69 [500]	18.82 [478]	21.00 [532]	42.00 [1064]	5.67 [144]	-	5.8 [2.63]	100 [45]
C0363-24	23.62 [600]	22.76 [578]	25.00 [632]	50.00 [1264]	5.67 [144]	-	6.9 [3.14]	100 [45]
C0363-28	27.55 [700]	26.69 [678]	29.00 [732]	58.00 [1464]	6.93 [176]	13.35 [339]	8.1 [3.70]	88 [40]

\*\* Load rating based on 80,000 cycles.



1-800-453-1692

[www.aboveboardelectronics.com](http://www.aboveboardelectronics.com)

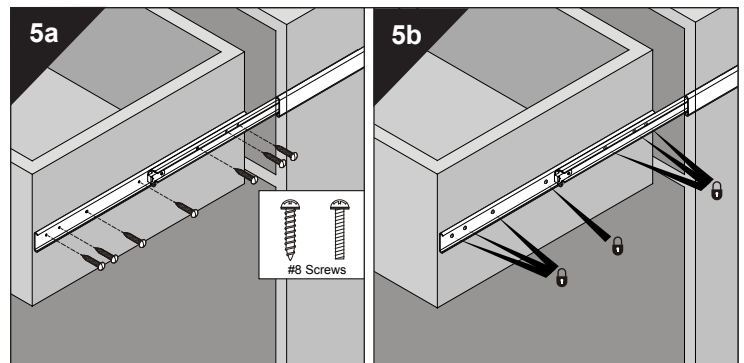
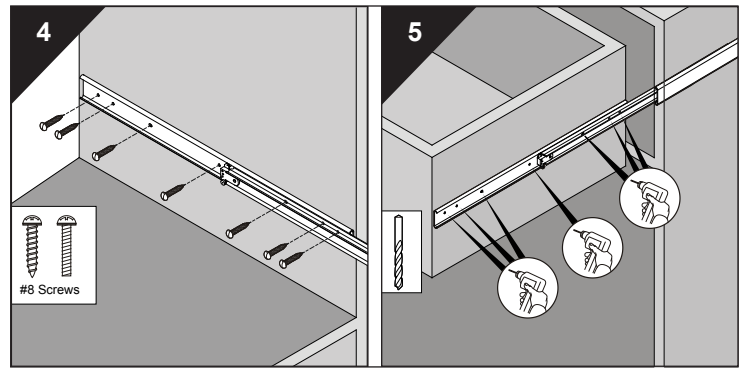
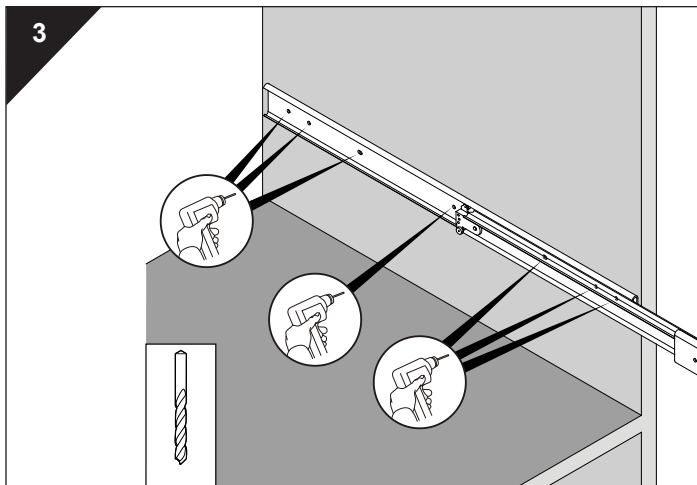
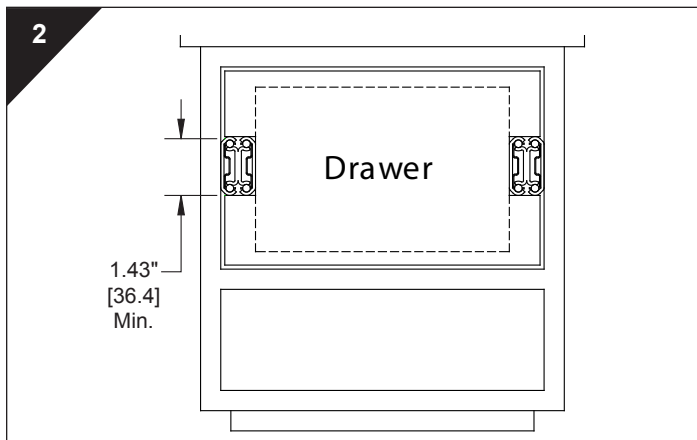
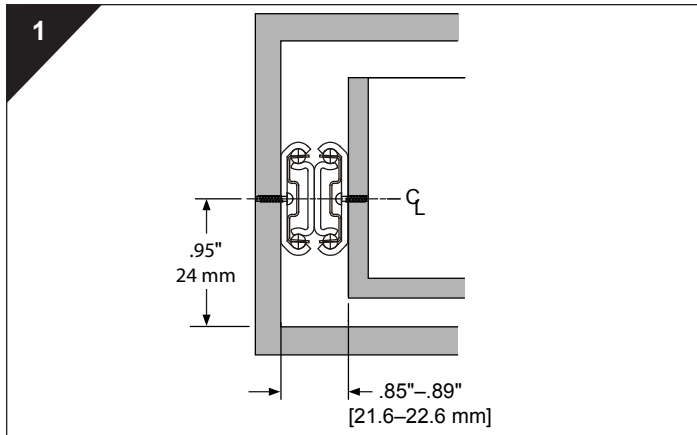
## Mounting Instructions

**NOTE:** The centerline for the cabinet member holes should be a minimum of .95" [24 mm] from the bottom of the cabinet opening (figure 1).

1. Pre-drill the holes for the cabinet member (figure 3). Install the slide outer members (larger member) to the cabinet using #8 pan head screws (figure 4). Make sure slides are parallel.
2. Pre-drill holes for drawer member (figure 5). Install drawer member using #8 screws (not included). Do not tighten screws at this time. Cycle drawer at least twice in both directions to allow drawer to self adjust. Tighten all screws (See figure 5 and 5A). There should be no sign of stiffness or binding.

**NOTE:** If drawer fronts are required, they must be notched to clear the stationary member of the slide. See Figure 2.

For maximum load capacity use all mounting holes (figure 5b).



## Slide Ordering Instructions

Complete your order for Accuride Model 0363 Two-Way Travel drawer slide by specifying the following:

Total Required Slides \_\_\_\_\_ 20 Pair C 0363 -12 P  
 Slide Finish \_\_\_\_\_  
 Slide Model \_\_\_\_\_  
 Slide Length \_\_\_\_\_  
 Packaging \_\_\_\_\_

## Packaging

**Bulk (P) Pack:** All lengths packaged 10 pair per box.  
 Hardware not included.

## Specifications

Slide members and ball retainers: Cold rolled steel

Ball bearings: Carburized steel

RoHS Compliant

**NOTE:** Specifications, materials, prices, terms, and delivery are subject to change without notice.

# Accuride

ACCURIDE INTERNATIONAL INC.

12311 Shoemaker Avenue  
 Santa Fe Springs, CA 90670

TEL (562) 903-0200

FAX (562) 903-0208

www accuride.com

Manufacturing, Engineering, and Sales

United States • Germany • Japan • Mexico • United Kingdom • China

Copyright © 2009 Accuride International Inc. 3700-9531(1220)-MK137-N-0909