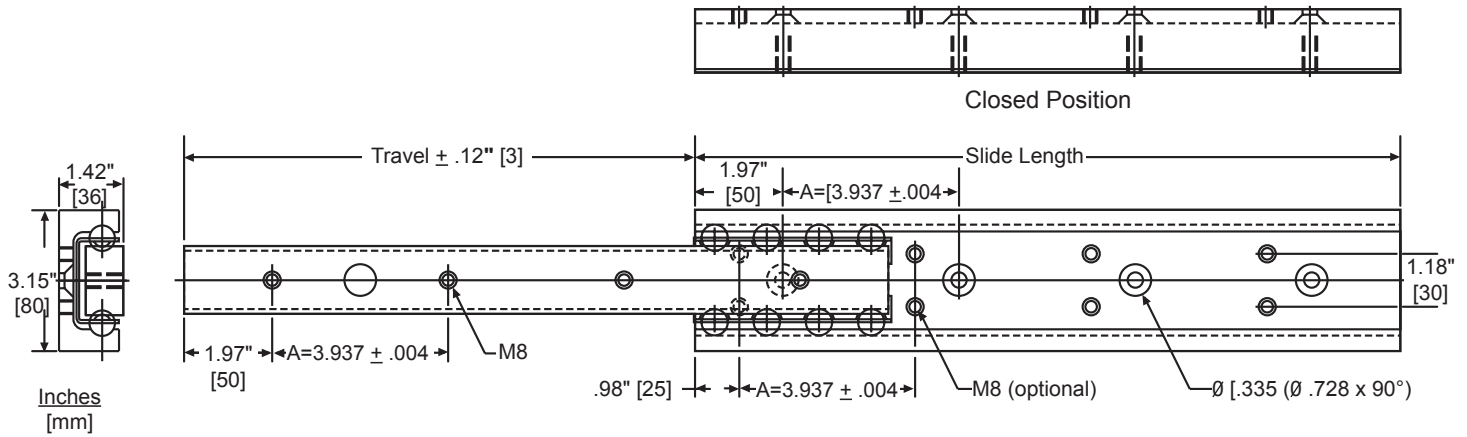


Applications: This slide is ideal for extra heavy-duty applications in environments subject to corrosion.

Aluminum
3/4 Extension
Up to 1,212-lb. [550 kg] Load Rating**
Slides Sold Individually



- Finish:** Aluminum (RoHS compliant)
- Lengths:** 16", 20", 24", 28", 32", 36", 40", 44", and 48" [400 mm, 500 mm, 600 mm, 700 mm, 800 mm, 900 mm, 1000 mm, 1100 mm and 1200 mm] ***
- Travel:** 3/4 Extension
- Height:** 3.15" [80 mm]
- Load Rating:** Moderate use: Up to 966 lbs. [438 kg]*
Light use: Up to 1,212 lbs. [550 kg]**
- Side Space:** 1.42" [36 mm]
- Mounting:** Side mount/hard mount
- Hardware:** Recommended: 5/16" [8 mm] flat head screws and/or M8 screws (not included).



Request Info
⚙️ 🛒 🕒

1-800-453-1692
www.aboveboardelectronics.com

Part Number	Slide Length	Travel	A
AL4120-16	15.75 [400]	11.42 [290]	3 X
AL4120-20	19.69 [500]	14.17 [360]	4 X
AL4120-24	23.62 [600]	16.93 [430]	5 X
AL4120-28	27.56 [700]	19.72 [501]	6 X
AL4120-32	31.50 [800]	22.52 [572]	7 X
AL4120-36	35.43 [900]	25.28 [642]	8 X
AL4120-40	39.37 [1000]	28.07 [713]	9 X
AL4120-44	43.31 [1100]	30.83 [783]	10 X
AL4120-48	47.24 [1200]	35.58 [853]	11 X

* Load rating based on a pair of slides mounted 24" apart and tested to 10,000 cycles. ** Load rating based on a pair of slides mounted 24" apart and tested to 5,000 cycles.

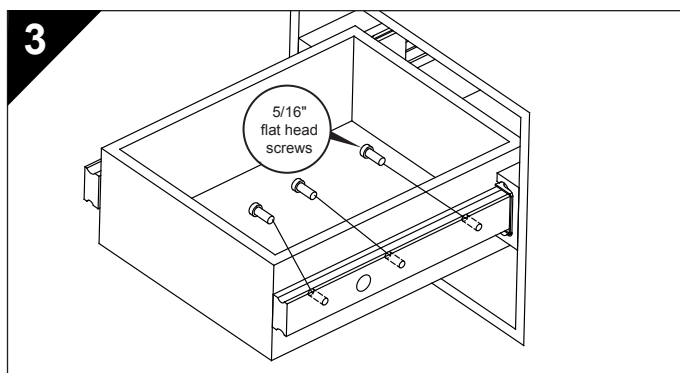
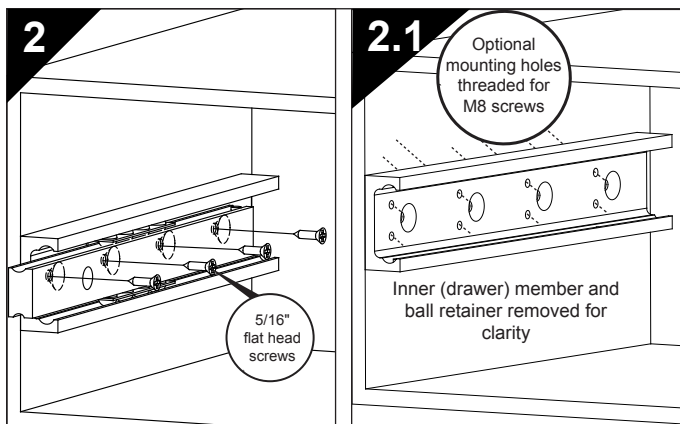
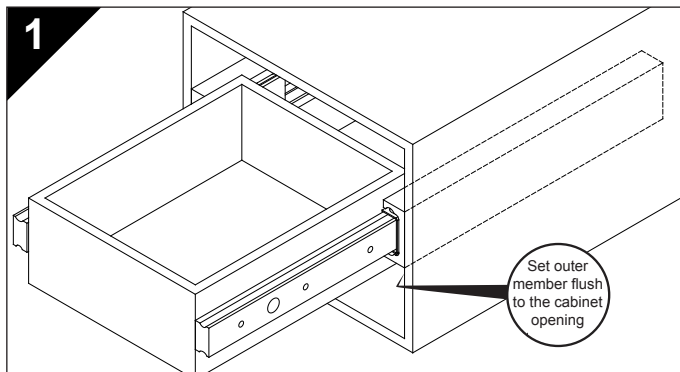
*** The lengths indicated in inches are approximate conversions from the metric measurements. Please see chart above for exact dimensions.

Installation Instructions

! Important: Accuride recommends first pre-drilling all mounting holes. Align the slide as described below to pre-drill.

1. Position the outer member flush to the cabinet or rack opening (Figure 1). Mount the slide member to the cabinet or rack (Figure 2) using 5/16" flat head screws (not included). The optional mounting method is to use M8 screws in the tapped holes (Figure 2.1). Be sure slides are parallel.
2. Position the inner member flush to the front of the drawer or chassis. Mount the inner member using M8 screws. Screws are inserted through the drawer/chassis and into the inner member's threaded holes (Figure 3).
3. Check slide alignment by opening and closing the drawer/chassis. Any sign of binding indicates an issue with side space, alignment, or the cabinet and/or drawer are out of square. To adjust alignment, loosen the screws and adjust the slide position until movement is smooth. Retighten screws.
4. Add screws to remaining holes. **All fixing positions must be used to achieve maximum load rating.** To ensure proper slide operation, all mounting screws must be inserted so that the screws do not interfere with slide movement. Use M8 and/ or 5/16 flat head screws.

Note: End stop testing is 10 cycles with a load of 882 lbs. [400 kg] at 2.62 f/s [.8 m/s]. Accuride recommends additional external stops be put into place.



For the most current technical information please visit www accuride.com

Packaging

Bulk Pack: All lengths are packaged one slide per box. Packaging includes one slide and a technical sheet. **Fasteners are not included.**

Specifications

Slide Members: Aluminum
Ball Retainers: Stainless Steel
Ball Bearings: Stainless Steel
Aluminum finish is RoHS compliant

NOTE: Specifications, materials, prices, terms, and delivery are subject to change without notice.

Slide Ordering Instructions

Complete your slide order for model AL4120 by specifying the following information:

1 Slide AL 4120 -16

Total Slides Required _____

Slide Finish _____

Slide Model _____

Slide Length _____

(Fasteners are not included)

Accuride

ACCURIDE INTERNATIONAL INC.

12311 Shoemaker Avenue
Santa Fe Springs, CA 90670

TEL (562) 903-0200
FAX (562) 903-0208
www accuride.com

Manufacturing, Engineering, and Sales
United States • Germany • Japan • Mexico • United Kingdom • China

Copyright © 2007 Accuride International Inc. 3700-9512(1191)-MK109-R1-0812-W