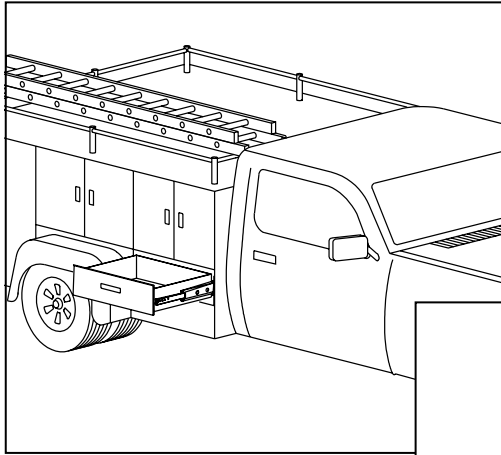


Accuride®

MODEL 9301E

APPLICATIONS: This versatile slide is designed for use in a variety of heavy-duty storage applications. Please preview the application information provided on the following pages for further load rating information.

Extra Heavy Duty
Full Extension Drawer Slide
Up to 600-lb. [272 kg.] Load Rating
Optional Accessory Platform Brackets*



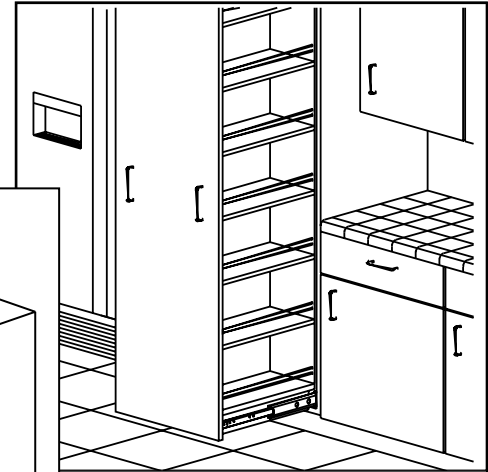
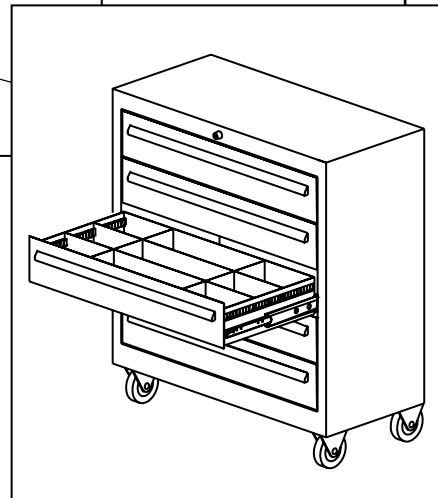
ADE
Above Board Electronics, Inc.

Request Info



1-800-453-1692

www.aboveboardelectronics.com



Finish	Bright electro-zinc (C) plating	
Lengths	Even lengths 10"–36", 40", 42", 44", 48", 54" and 60" Even lengths [254.0 mm–914.4 mm, 1016.0 mm, 1066.8 mm, 1117.6 mm, 1219.2 mm, 1371.6 mm, 1447.8 mm, and 1524.0 mm]	
Travel	Full extension	
Height	3.00" [76.2 mm]	
Load Rating	Moderate Use	600 lbs. [272 kg] <i>(Refer to page two for specific application information)</i>
	Frequent Use	480 lbs. [217 kg]
	Mobile (Vehicular)	360 lbs. [163 kg]
	Flat Mount	180 lbs. [81 kg]
Side Space	.75" (+.031, -.000) [19.1 mm (+.79, -.00)]	
Mounting	Side or flat Optional accessory platform brackets available	
Movement	Steel ball bearings	
Hardware	Customer supplied mounting hardware Metal Applications: 1/4" hex-head or pan head [M6 Euro] screw for .260" [6.6 mm] holes; or, hex-head; or pan head [M5 Euro] screw for .203" [5.2 mm] holes; or, #10 carriage bolt for diamond-shaped hole; or, 1/4" [M6 Euro] carriage bolt for square-shaped hole. Wood Applications: 1/4" lag or sheet metal screw; or, #10 lag or sheet metal screw. Maximum screw head of .190" [4.8 mm] high by .500" [12.7 mm] diameter necessary to clear traversing slide members; or, #10 carriage bolt for diamond-shaped hole; or, 1/4" [M6 Euro] carriage bolt for square-shaped hole.	
Features	Bumper provides extra silencing during drawer closure and opening. Bridged ball spacer reduce migration and drag.	

The Accuride load ratings shown below represent a wide range of typical applications and take into consideration factors which can adversely affect the performance of a slide.

In general, slides installed in drawers that are wider than they are deep, are subject to lateral (side) stresses that reduce their load carrying capacity. Likewise, slides in applications that are cycled frequently also carry a lower load rating.

Please use the following information to determine the load rating of model 9301E as it pertains to its intended application.

Moderate Use Applications

600-lb. [272 kg.] load rating

Load rating is based on an 22" [558.8 mm] slide in an 24" [609.6 mm] wide drawer, cycled 10,000 times. A computer server storage unit may be cycled once per month for servicing. Electronic instrumentation may be cycled a few times each week.

Typical Applications

Computer server storage access
Electronic instrumentation chassis

Frequent Use Applications

480-lb. [217 kg.] load rating

Load rating is based on an 22" [558.8 mm] slide in a 42" [1066.8 mm] wide drawer, cycled 75,000 times. A storage drawer opened and closed an average of three times per hour during each eight-hour work day would undergo a total of 60,000 cycles in 10 years.

Typical Applications

Heavy-duty storage drawers
Large pantry pull-outs
Toolboxes
Modular storage cabinets

Mobile (Vehicular) Applications

360-lb. [163 kg.] load rating

Load rating is based on an 22" [558.8 mm] slide in a 32" [812.8 mm] wide drawer, cycled 10,000 times. Use for any application associated with transportation, or any application exposed to vibration and rough usage.

Typical Applications

RV storage drawers
Vehicle battery trays
Service truck tool drawers

Flat Mount Applications

180-lb. [81 kg.] load rating

Load rating is based on an 22" [558.8mm] slide in a 32" [812.8 mm] wide drawer, cycled 10,000 times. Use anywhere side space is limited.

Typical Applications

Flight status monitor cabinets

CAUTION:

This slide must never be used as a pull-out step, platform or any other application supporting human weight as injury may result.



Request Info



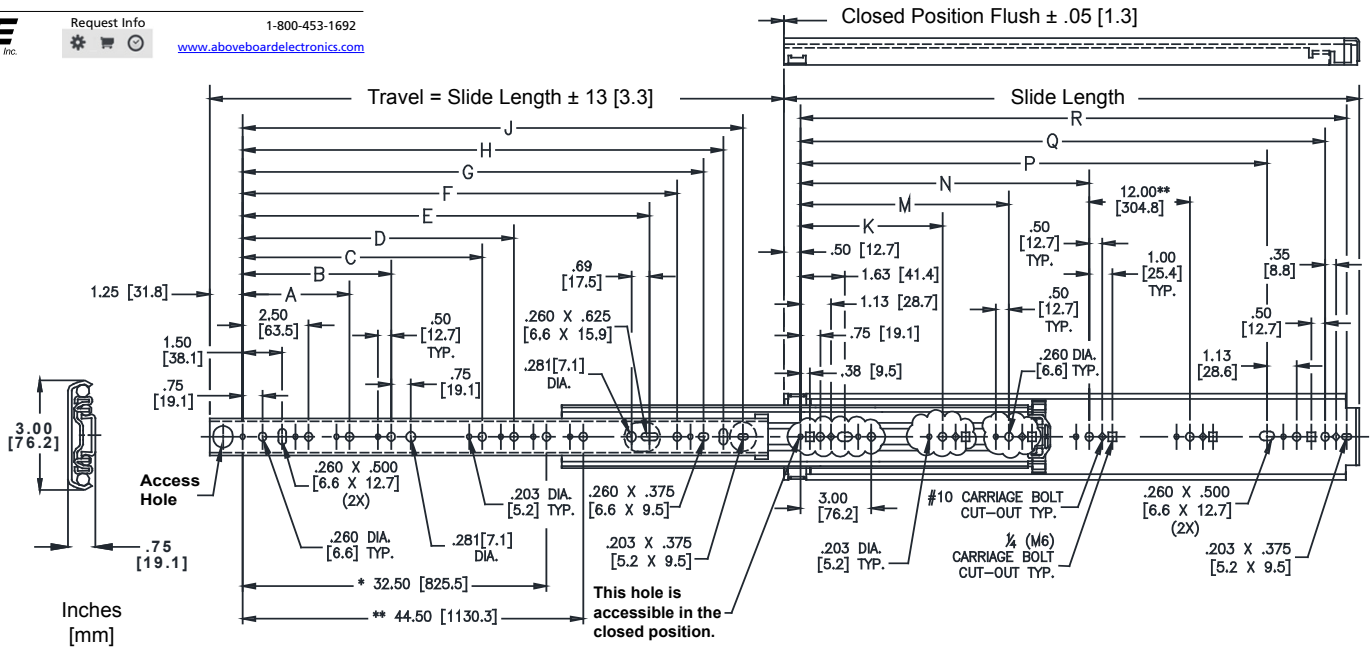
1-800-453-1692

www.aboveboardelectronics.com



Request Info

1-800-453-1692
www.aboveboardelectronics.com



* Available on 9301-E48, 54, and 60 only
 ** Available on 9301-E60 only

Note: Maximum screw head of .190" [4.8 mm] high by .500" [12.7 mm] diameter necessary to clear traversing members. Exception to this rule applies for [M6 Euro] carriage bolts.

Part Number	Slide Length	Slide Travel	A	B	C	D	E	F	G	H	J	K	M	N	P	Q	R
9301-E10	10.00 [254.0]	10.00 [254.0]						4.06 [103.1]	5.06 [128.5]	5.81 [147.6]	6.56 [166.6]				6.00 [152.4]	8.25 [209.6]	9.00 [228.6]
9301-E12	12.00 [304.8]	12.00 [304.8]						6.06 [153.9]	7.06 [179.3]	7.81 [198.4]	8.56 [217.4]				8.00 [203.2]	10.25 [260.4]	11.00 [279.4]
9301-E14	14.00 [355.6]	14.00 [355.6]						8.06 [204.7]	9.06 [230.1]	9.81 [249.2]	10.56 [268.2]				10.00 [254.0]	12.25 [311.2]	13.00 [330.2]
9301-E16	16.00 [406.4]	16.00 [406.4]	5.00 [127.0]					10.06 [255.5]	11.06 [280.9]	11.81 [299.9]	12.56 [319.0]				12.00 [304.8]	14.25 [361.9]	15.00 [381.0]
9301-E18	18.00 [457.2]	18.00 [457.2]	5.00 [127.0]				9.69 [246.1]	12.06 [306.3]	13.06 [331.7]	13.81 [350.8]	14.56 [369.8]				14.00 [355.6]	16.25 [412.8]	17.00 [431.8]
9301-E20	20.00 [508.0]	20.00 [508.0]	5.00 [127.0]	7.50 [190.5]			11.69 [296.9]	14.06 [357.1]	15.06 [382.5]	15.81 [401.6]	16.56 [420.6]				16.00 [406.4]	18.25 [463.6]	19.00 [482.6]
9301-E22	22.00 [558.8]	22.00 [558.8]	5.00 [127.0]	7.50 [190.5]			13.69 [347.7]	16.06 [407.9]	17.06 [433.3]	17.81 [452.4]	18.56 [471.4]				18.00 [457.2]	20.25 [514.4]	21.00 [533.4]
9301-E24	24.00 [609.6]	24.00 [609.6]	5.00 [127.0]	7.50 [190.5]			15.69 [398.5]	18.06 [458.7]	19.06 [484.1]	19.81 [503.2]	20.56 [522.2]				20.00 [508.0]	22.25 [565.2]	23.00 [584.2]
9301-E26	26.00 [660.4]	26.00 [660.4]	5.00 [127.0]	7.50 [190.5]			17.69 [449.3]	20.06 [509.5]	21.06 [534.9]	21.81 [553.9]	22.56 [573.0]				22.00 [558.8]	24.25 [615.9]	25.00 [635.0]
9301-E28	28.00 [711.2]	28.00 [711.2]	5.00 [127.0]	7.50 [190.5]			19.69 [500.1]	22.06 [560.3]	23.06 [585.7]	23.81 [604.8]	24.56 [623.8]				24.00 [609.6]	26.25 [666.8]	27.00 [685.8]
9301-E30	30.00 [762.0]	30.00 [762.0]	5.00 [127.0]	7.50 [190.5]	14.50 [368.3]		21.69 [550.9]	24.06 [611.1]	25.06 [636.5]	25.81 [655.6]	26.56 [674.6]	9.25 [234.9]		19.75 [501.6]	26.00 [660.4]	28.25 [717.6]	29.00 [736.6]
9301-E32	32.00 [812.8]	32.00 [812.8]	5.00 [127.0]	7.50 [190.5]	14.50 [368.3]		23.69 [601.7]	26.06 [661.9]	27.06 [687.3]	27.81 [706.4]	28.56 [725.4]	9.25 [234.9]	15.50 [393.7]	21.75 [552.5]	28.00 [711.2]	30.25 [768.4]	31.00 [787.4]
9301-E34	34.00 [863.6]	34.00 [863.6]	5.00 [127.0]	7.50 [190.5]	14.50 [368.3]	18.50 [469.9]	25.69 [652.5]	28.06 [712.7]	29.06 [738.1]	29.81 [757.2]	30.56 [776.2]	9.25 [234.9]	16.50 [419.1]	23.75 [603.3]	30.00 [762.0]	32.25 [819.2]	33.00 [838.2]
9301-E36	36.00 [914.4]	36.00 [914.4]	5.00 [127.0]	7.50 [190.5]	14.50 [368.3]	20.50 [520.7]	27.69 [703.3]	30.06 [763.5]	31.06 [788.9]	31.81 [807.9]	32.56 [827.0]	9.25 [234.9]	17.50 [444.5]	25.75 [654.1]	32.00 [812.8]	34.25 [870.0]	35.00 [889.0]
9301-E40	40.00 [1016.0]	40.00 [1016.0]	5.00 [127.0]	7.50 [190.5]	14.50 [368.3]	20.50 [520.7]	31.69 [804.9]	34.06 [865.1]	35.06 [890.5]	35.81 [909.6]	36.56 [928.6]	9.25 [235.0]	21.50 [546.1]	29.75 [755.7]	36.00 [914.4]	38.25 [971.6]	39.00 [990.6]
9301-E42	42.00 [1066.8]	42.00 [1066.8]	5.00 [127.0]	7.50 [190.5]	14.50 [368.3]	20.50 [520.7]	33.69 [855.7]	36.06 [915.9]	37.06 [941.3]	37.81 [960.4]	38.56 [979.4]	9.25 [235.0]	21.50 [546.1]	31.75 [806.5]	38.00 [965.2]	40.25 [1022.4]	41.00 [1041.4]
9301-E44	44.00 [1117.6]	44.00 [1117.6]	5.00 [127.0]	7.50 [190.5]	14.50 [368.3]	20.50 [520.7]	35.69 [906.5]	38.06 [966.7]	39.06 [992.1]	39.81 [1011.2]	40.56 [1030.2]	9.25 [235.0]	21.50 [546.1]	33.75 [857.3]	40.00 [1016.0]	42.25 [1073.2]	43.00 [1092.2]
9301-E48	48.00 [1219.2]	48.00 [1219.2]	5.00 [127.0]	7.50 [190.5]	14.50 [368.3]	20.50 [520.7]	39.69 [1008.1]	42.06 [1068.3]	43.06 [1093.7]	43.81 [1112.8]	44.56 [1131.8]	9.25 [234.9]	23.50 [596.9]	37.75 [958.9]	44.00 [1117.6]	46.25 [1174.8]	47.00 [1193.8]
9301-E54	54.00 [1371.6]	54.00 [1371.6]	5.00 [127.0]	7.50 [190.5]	14.50 [368.3]	20.50 [520.7]	45.69 [1160.5]	48.06 [1220.7]	49.06 [1246.1]	49.81 [1265.1]	50.56 [1284.2]	9.25 [234.9]	23.50 [596.9]	37.75 [958.9]	50.00 [1270.0]	52.25 [1327.1]	53.00 [1346.2]
9301-E60	60.00 [1524.0]	60.00 [1524.0]	5.00 [127.0]	7.50 [190.5]	14.50 [368.3]	20.50 [520.7]	51.69 [1312.9]	54.06 [1373.1]	55.06 [1398.5]	55.81 [1417.6]	56.56 [1436.6]	9.25 [234.9]	23.50 [596.9]	37.75 [958.9]	56.00 [1422.4]	58.25 [1479.6]	59.00 [1498.6]

Note: Specified mounting hardware is not included in packaging.

Side Mounting

To install the cabinet (outer) member, first fully extend the slides to provide access to the mounting holes. Be sure slides are parallel. Insert the 1/4" head-hex or pan head screws (M6 Euro) through the horizontal slots.

Attach the drawer to the extended inner members with 1/4" hex-head or pan head screws (M6 Euro) inserted through the vertical slots. Leave all screws loose for final adjustment. Adjust slide positions until movement is smooth. Then tighten all screws; if necessary, use more screws to secure slides and complete installation. See Figure 1.

Flat Mounting

Position the large (outer) members on the cabinet floor as shown in Figure 2. Align slides flush to the edge of the drawer bottom. Be sure slides are parallel. Fully extend the slides to provide access to the mounting holes. Insert the 1/4" hex-head or pan head screws (M6 Euro) through the horizontal slots.

Install the 1/4" hex-head or pan head screws (M6 Euro) through the vertical slots in the drawer (inner) member into the bottom of the drawer. Leave all screws loose for final adjustment. Adjust slide positions until movement is smooth. Then tighten all screws; if necessary, use more screws to secure slides and complete installation.

Carriage Bolt Mounting Considerations

When using carriage bolts, the squared neck of the bolt will extend beyond the thickness of the cabinet member. Therefore, carriage bolts must be used with mounting surfaces that allow for the insertion of the protruding neck of the bolt (i.e. aluminum or wood). Otherwise, the mounting surface must have a hole to provide clearance for the protruding neck. This is required to fasten the slides securely to the cabinet. See Figure 5, for the minimum dimensions required for the clearance hole.

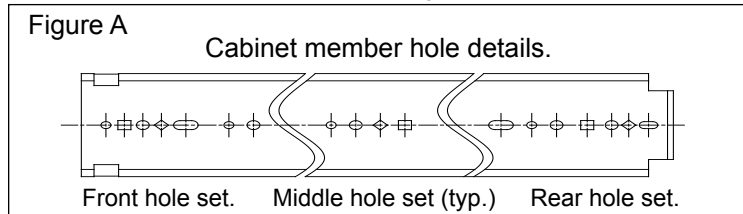
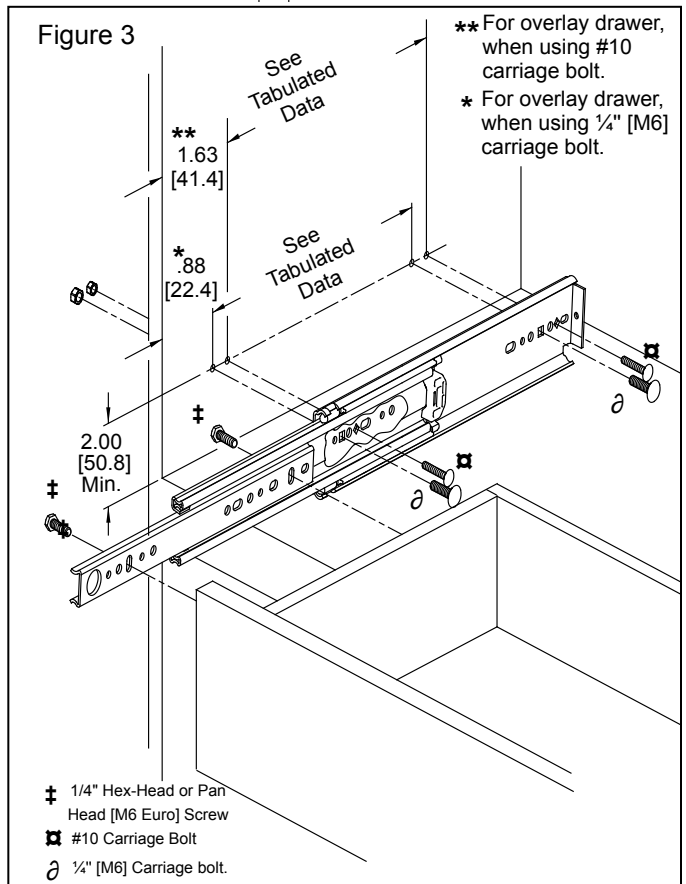
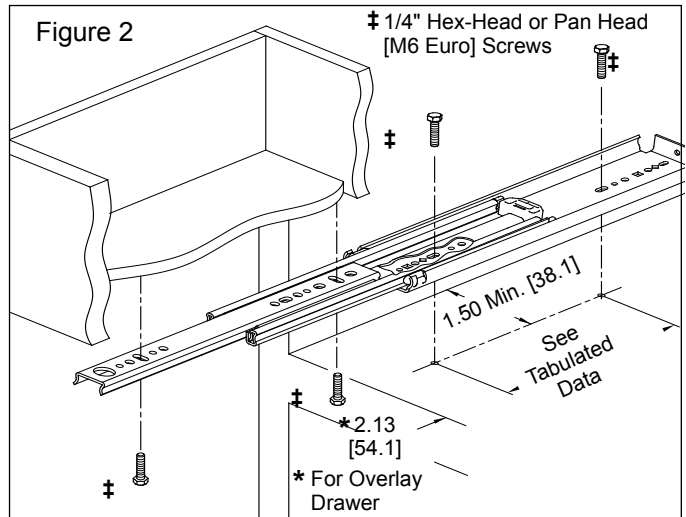
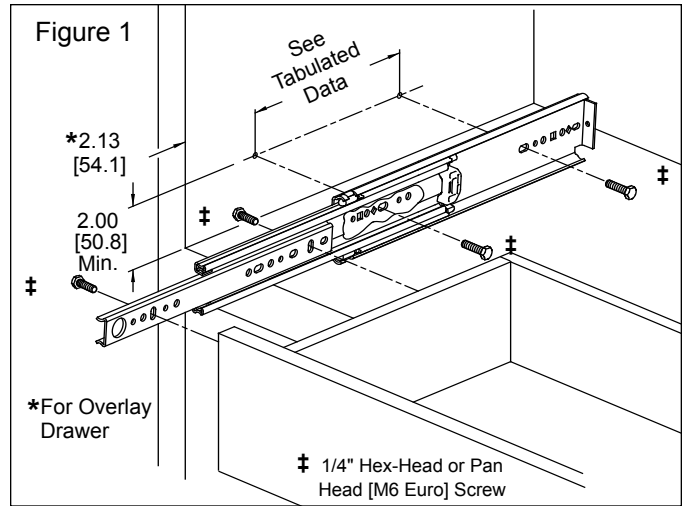
Carriage bolts may be used to secure the cabinet member only; carriage bolt mounting holes are not available on the drawer member. Be aware that when using carriage bolt mounting holes, the adjacent holes will become unavailable for mounting.

Note: Platform bracket kits are not compatible with the carriage bolt mounting method.

Side Mounting (Carriage Bolt)

To install the cabinet member (outer) member, first fully extend the slides to provide access to mounting holes. Be sure slides are parallel. Insert the carriage bolts (customer-supplied) through the diamond or square shaped holes. The diamond-shaped holes accommodate #10 type carriage bolt; the square holes accommodate 1/4" (M6 Euro) type carriage bolt. See Figure A.

Attach the drawer to the extended inner members with 1/4" hex-head or pan head screws (M6 Euro). Leave all screws loose for final adjustment. Adjust slide positions until movement is smooth. Then tighten all screws and nuts; if necessary, use more screws to secure slides and complete installation. See Figure 3.



Flat Mounting (Carriage Bolt)

Position the large (outer) members on the cabinet floor as shown in Figure 4. Align slides flush to the edge of the drawer bottom. Be sure slides are parallel. Insert the carriage bolts (customer-supplied) through the diamond or square shaped holes. The diamond-shaped holes accommodate #10 type carriage bolt; the square holes accommodate 1/4" (M6 Euro) type carriage bolts. See Figure A.

Install the 1/4" hex-head or pan head screws (M6 Euro) through the vertical slots in the drawer (inner) members into the bottom of the drawer. Leave all screws loose for final adjustment. Adjust slide position until movement is smooth. Then tighten all screws and nuts; use more screws to secure slides and complete installation.

Optional Platform Bracket Kits

Brackets provide four bottom-mount and two side-mount options. For bottom-mount, one bracket attaches to the slide outer member and the cabinet base. The other bracket attaches to the slide inner member and the platform or tray. For side-mount, the bracket attaches to the slide inner member. See Figure 6 for examples of both mounting options. When the brackets are used either individually or in combination, they will accommodate all slide lengths. Each kit contains two brackets, four 1/4" hex-head screws, and four 1/4" hex nuts with lock washers. See separate platform bracket data sheet for more information.

Slide Ordering Instructions

Complete your slide order for model 9301E by specifying the following:

4 Pair C 9301 -E12 D

Total Required Slides _____

Slide Finish _____

Slide Model _____

Slide Length _____

Optional Distributor Packaging _____

Packaging

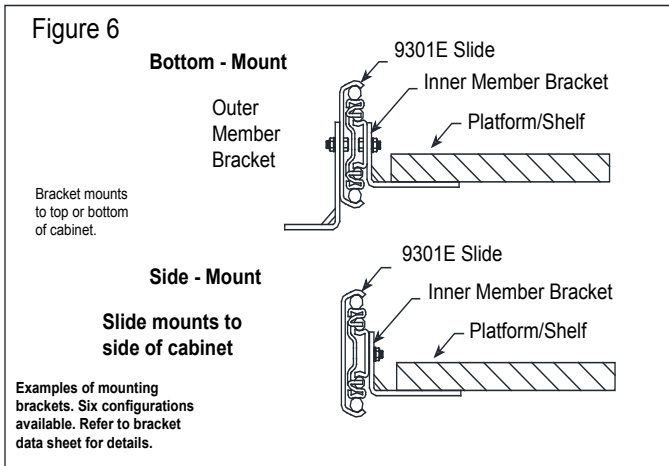
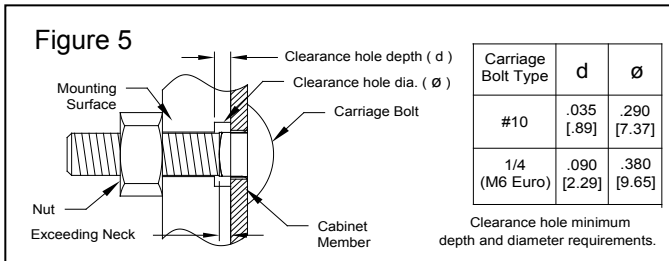
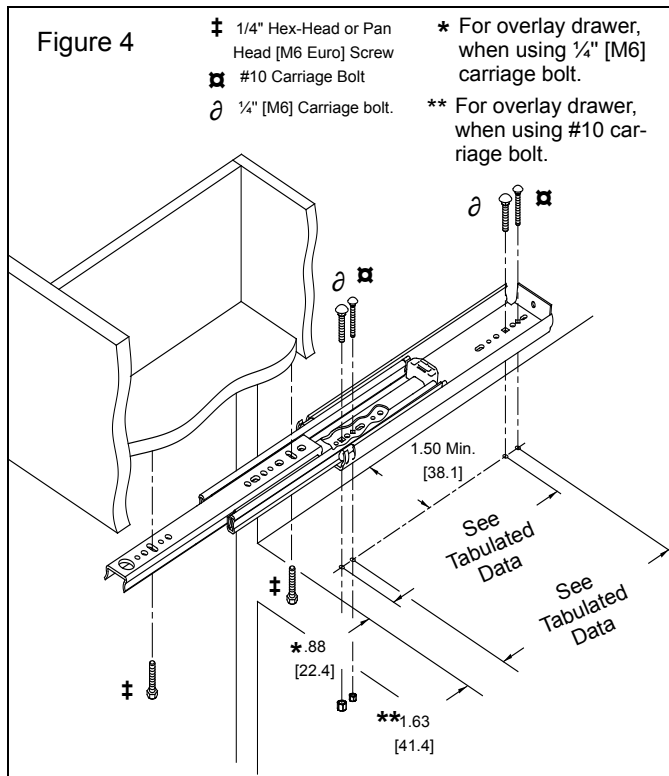
Distributor (D) Pack:	One pair of slides packaged in polybag. Mounting hardware not included.	
Slide Lengths:	10"–22"	4 pair per box
	24"–40"	2 pair per box
	42", 44"	1 pair per box
Bulk (P) Orders:	Slides only.	
Slide Lengths:	10"–22"	4 pair per box
	24"–40"	2 pair per box
	42", 44", 48", 54", 60"	1 pair per box

Specifications

Slide members: Cold rolled steel
 Ball retainers: Polymer
 Ball bearings: Carburized steel
 RoHS compliant

NOTE: Specifications, materials, prices, terms, and delivery are subject to change without notice

For the most current technical information please visit www.accuride.com



ACCURIDE INTERNATIONAL INC.

12311 Shoemaker Avenue
 Santa Fe Springs, CA 90670

TEL (562) 903-0200
 FAX (562) 903-0208
www.accuride.com



1-800-453-1692

www.aboveboardelectronics.com

Manufacturing, Engineering, and Sales
 United States • Germany • Japan • Mexico • United Kingdom • China